



CAB460RF: I-PEX MHF 4L PLUG + FRONT MOUNT SMA S/T BULKHEAD JACK WITH O-RING RATED TO IP67/68 + MULTIPLE CABLE SIZES, 6GHz

SPECIFICATIONS :

1. I-PEX MHF 4L PLUG, P/N:
FOR $\phi 1.13\text{MM}$ CABLE: 20565-001R-13.
FOR $\phi 1.37\text{MM}$ LL CABLE: 20632-001R-37.
2. COAXIAL CABLE, SEE P/N OPTIONS FOR DETAIL.
3. FRONT MOUNT SMA STRAIGHT BULKHEAD JACK WITH O-RING RATED TO IP67/68, P/N: RFCT-SMA087-F78.

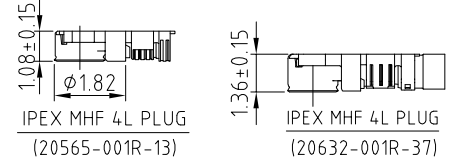
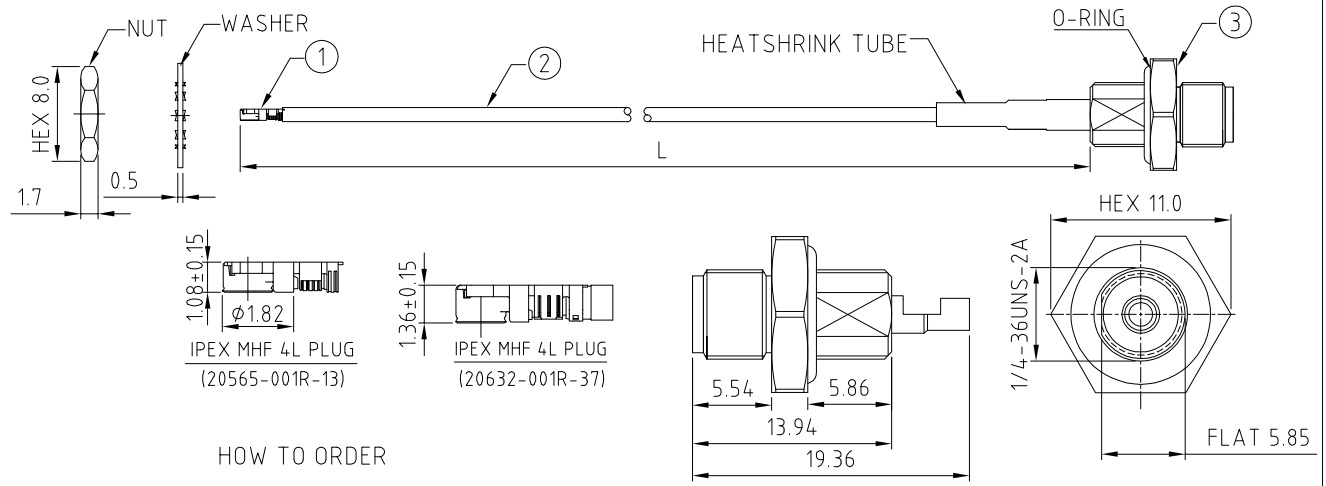
USAGE PRECAUTIONS: CABLES USING 'MICRO' COAX ARE DELICATE:
 (i) HANDLE WITH CARE.
 (ii) DO NOT TWIST; APPLY EXCESSIVE FORCES OR SHARP BENDS TO THE CABLE. DO NOT FORCEFULLY DEFORM WIRES.
 (iii) CONSULT CONNECTOR MANUFACTURER'S DATASHEETS FOR DETAILED NOTES ON HANDLING INSTRUCTIONS.

ENVIRONMENTAL:

- A. BULKHEAD MOUNTED CONNECTOR (RFCT-SMA087-F78) RATED TO THE FOLLOWING SPECIFICATION:
- i. IP6X - DUST TIGHT - NO PARTICLE INGRESS.
 - ii. IPX7 WATERPROOF FOR 30 MINUTES UP TO 1 METER UNDERWATER.
 - iii. IPX8 WATERPROOF FOR 48 HOURS AT 1 METER UNDERWATER.

NOTES:

1. THE ORIENTATION OF CONNECTORS ON DRAWING IS FOR REFERENCE ONLY, IF THE ORDER IS LEFT BLANK THE CONNECTOR WILL NOT HAVE FIXED ORIENTATION.
2. FIXED ORIENTATION IS SUGGESTED FOR CABLE LENGTH 50MM TO 100MM. PLEASE SPECIFY THE FIXED ORIENTATIONS FROM THE ORDER CODE (F1, F2, ETC)
3. CONTACT GRADCONN IF THE ORIENTATION YOU REQUIRE IS NOT SHOWN.
4. WORKING FREQUENCY RANGE: DC-6GHz.
5. OPERATING TEMPERATURE: $-40^{\circ}\text{C} \sim +85^{\circ}\text{C}$.
6. IMPEDANCE: 50 OHM.
7. IT IS INTENDED THAT MOUNTING OF THIS CONNECTOR IS ACHIEVED USING THE NUT AND WASHER PROVIDED. PLEASE CONTACT GRADCONN FOR ADVISE IF PLANNING TO USE A DIFFERENT METHOD OF MOUNTING.



HOW TO ORDER

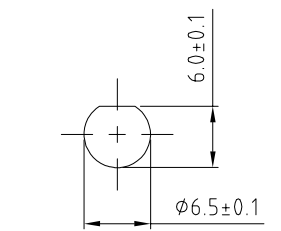
CAB460RF - X X X X - X X - X - X

"L" LENGTH IN MM:
 eg: 100MM = 0100
 (MIN. 0050-MAX.0400)
 STANDARD = 0100, 1050, 0200
 Tolerance: 50-200mm: $\pm 5\text{mm}$.
 201-400mm: $\pm 7\text{mm}$.

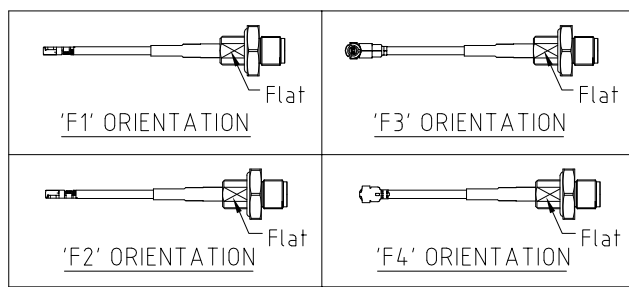
CABLE SIZE OPTION:
 1 = $\phi 1.13\text{MM}$ CABLE, COLOR: BLACK
 2 = $\phi 1.37\text{MM}$ LOW LOSS CABLE, COLOR: BLACK

WASHER AND NUT OPTIONS:
 BLANK = SEPARATELY PACKED (STANDARD)
 A = ALL ASSEMBLED WITH CONNECTOR

SMA DETAIL DRAWING



RECOMMENDED SMA MOUNTING HOLE



ORIENTATION OPTIONS:
 BLANK = DOES NOT HAVE A FIXED ORIENTATION
 F1 = MHF CONNECTION DOWN (L=50-200MM)
 F2 = MHF CONNECTION UP (L=50-200MM)
 F3 = MHF CONNECTION AND D FLAT SAME ORIENTATION (L=50-200MM)
 F4 = MHF CONNECTION AND D FLAT OPPOSITE ORIENTATION (L=50-200MM)
 (SEE NOTES 1, 2, 3 AND DIAGRAMS FOR MORE INFORMATION)

REV. DATE & DRN
 10. 28/04/21 - NYW RELEASE
 11. 30/08/22 - NYW
 ADD CABLE SIZE OPTION 2.
 12. 22/02/23 - NYW
 ADD 20632-001R-37 DRAWING.

Scale: NTS	THIRD ANGLE	Unstated: .X N/A .XX N/A .XXX N/A	Tolerances: N/A N/A N/A
Drawn: NYW		ANGLES	N/A
App'd: XXX	Title CABLE ASSEMBLY		
Date: 22 FEB. '23	Revision: 12	Unit: mm	

IP67/68 Rated Cables www.gradconn.com

Drawing Number: CAB460RF	
Sheet 1	of 1
Drawing ©	E and O E