

4

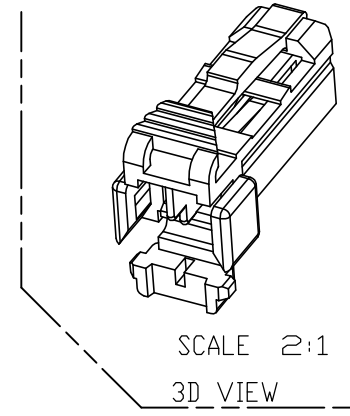
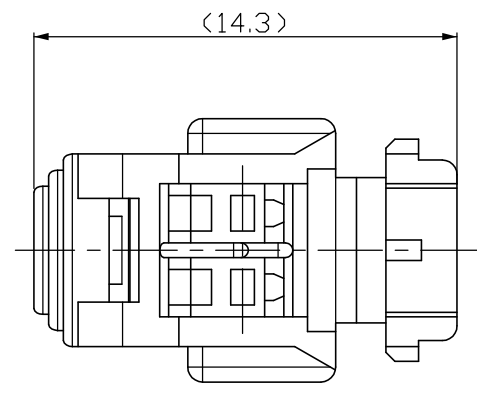
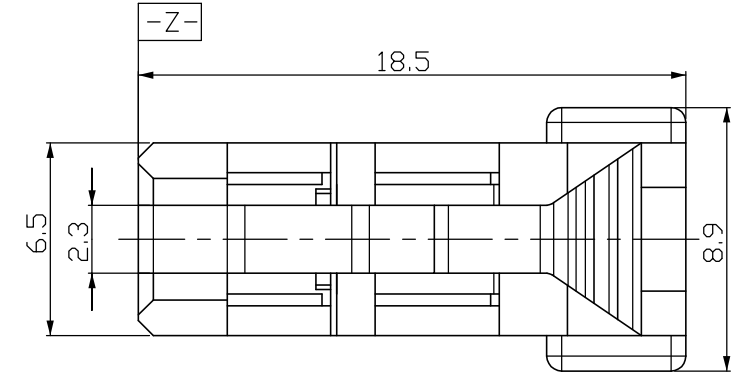
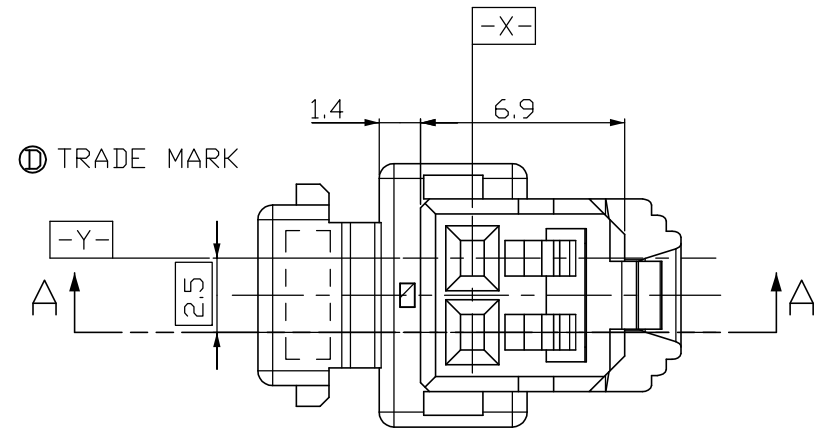
3

2

1

THIS DRAWING IS UNPUBLISHED. RELEASED FOR PUBLICATION
© COPYRIGHT BY TYCO ELECTRONICS CORPORATION. ALL RIGHTS RESERVED.

LOC	DIST	REVISIONS					
		P	LTR	DESCRIPTION	DATE	DWN	APVD
			A	RELEASED	01/DEC/'05	IS	JK
			B	REVISED (ECR-06-002543)	01/FEB/'06	IS	JK
			C	REVISED (ECR-08-001834)	04.MAR.'08	KT	HG
			D	REVISED (ECR-10-024624)	03.DEC.'10	JH	HG



D

D

C

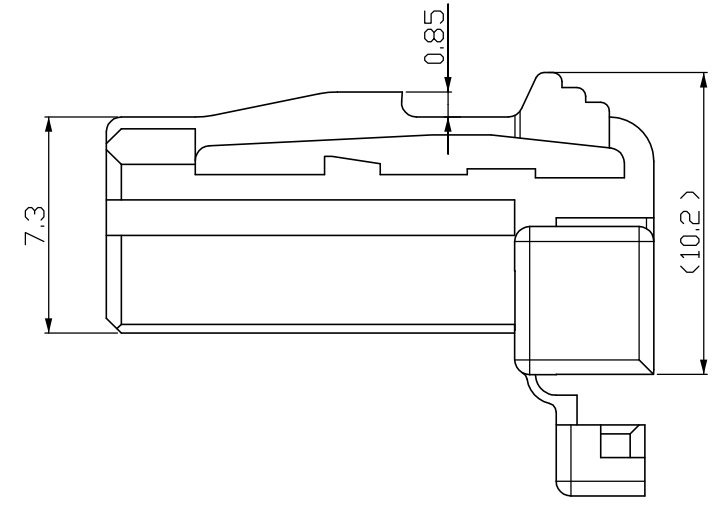
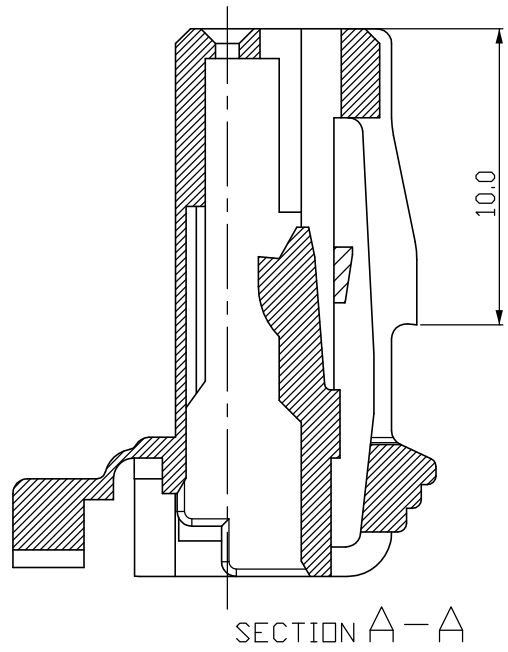
C

B

B

A

A



NOTE

- 1 GENERAL TOLERANCES ± 0.3 , $\pm 3^\circ$
- 3 APPLIED REC. CONTACT P/N :

	PART NO.	WIRE SIZE (mm ²)
040 REC	173681-1	0.3 ~ 0.55

BLACK	PBT	1743466-2
WHITE	PBT	1743466-1
COLOR	MATERIAL	P/N

<small>THIS DRAWING IS A CONTROLLED DOCUMENT FOR TYCO ELECTRONICS CORPORATION IT IS SUBJECT TO CHANGE AND THE CONTROLLING ENGINEERING ORGANIZATION SHOULD BE CONTACTED FOR THE LATEST REVISION.</small>		DWN JH CHD CHK KT LIM APVD HG CHD PRODUCT SPEC APPLICATION SPEC WEIGHT CUSTOMER DRAWING		Tyco Electronics kyungsan, korea	
DIMENSIONS: mm	TOLERANCES UNLESS OTHERWISE SPECIFIED:	NAME			
 3rd ANGLE PROJECTION	0 PLC \pm 1 PLC \pm 2 PLC \pm 3 PLC \pm 4 PLC \pm	040 MK-1 2P PLUG HSG FOR DOOR LOCK S/W			
	MATERIAL SEE NOTE	FINISH	SIZE	CAGE CODE	DRAWING NO
		A300779		1743466	RESTRICTED TO
		SCALE 4:1		SHEET 1 OF 1	REV D