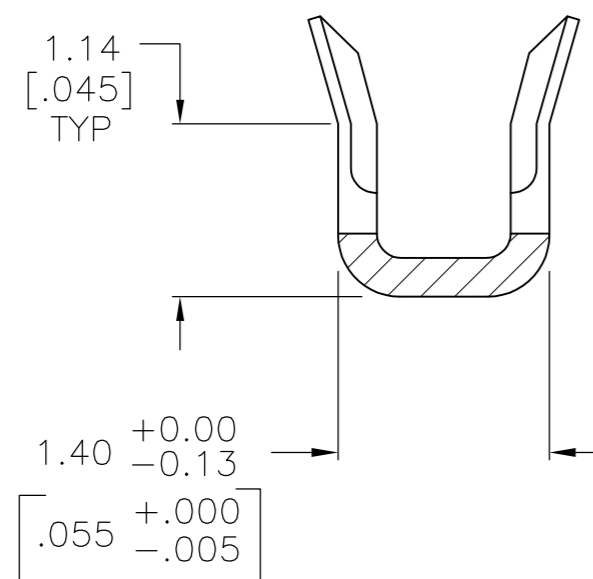
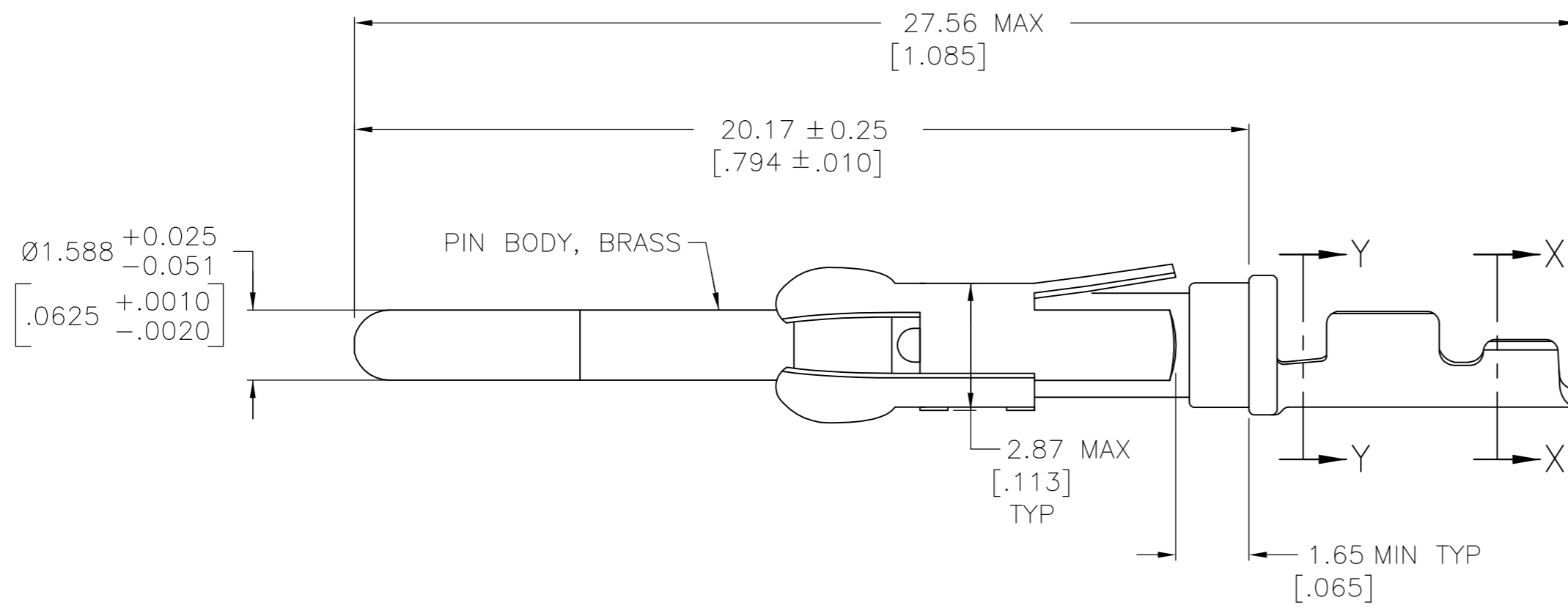
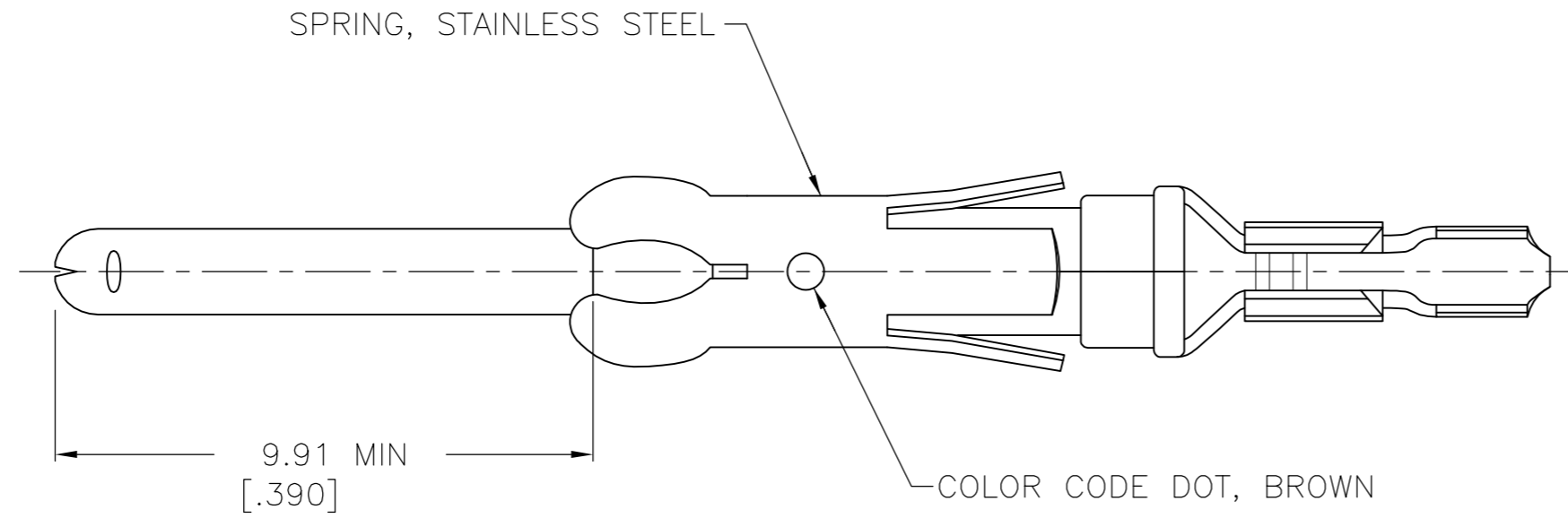
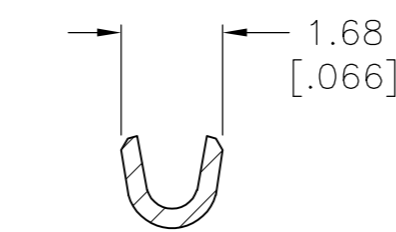


THIS DRAWING IS UNPUBLISHED. RELEASED FOR PUBLICATION  
 © COPYRIGHT - By - ALL RIGHTS RESERVED.

REVISIONS				
P	LTR	DESCRIPTION	DATE	APVD
R1		REVISED PER ECO-16-004223	21JUL2016	NK MZ



SECTION Y-Y  
SCALE 20:1



SECTION X-X

- 1 0.76µm[.000030] MIN PRECIOUS METAL PLATE ON MATING END FOR A LENGTH OF 5.08 [.200] MIN WITH A UNIFORM GRADIENT TO 0.25µm [.000010] ON REMAINDER, OVER 1.27µm[.000050] MIN NICKEL PLATE. GOLD FLASH ALL OVER. CONFORMS TO THE REQUIREMENTS OF TYCO ELECTRONICS PRODUCT SPEC 108-10042, BASED ON EIA/ECA-364-1000.01A ( CONTROLLED ENVIRONMENT APPLICATIONS ).
- 2 0.76µm[.000030] MIN PRECIOUS METAL PLATE ON MATING END FOR A LENGTH OF 5.08 [.200] MIN WITH 1.27µm[.000050]MIN MATTE TIN PLATE IN WIRE CRIMP AREA, BOTH OVER 1.27µm [.000050] MIN NICKEL PLATE. CONFORMS TO THE REQUIREMENTS OF TYCO ELECTRONICS PRODUCT SPEC 108-10042, BASED ON EIA/ECA-364-1000.01A ( CONTROLLED ENVIRONMENT APPLICATIONS ).
- 3 WIRE RANGE 26-30 AWG.
- 4 INSULATION RANGE 0.36[.014]-0.76[.030] DIA.

OBSOLETE	2	66393-4	66406-4
	1	66393-1	<del>66406-1</del>
	FINISH	STRIP P/N REF	PART NO.

THIS DRAWING IS A CONTROLLED DOCUMENT.		DWN 9-27-90 H MOLL	TE Connectivity	
DIMENSIONS: mm [INCHES]		CHK 12-15-90 J.MCCLINTON	NAME	
TOLERANCES UNLESS OTHERWISE SPECIFIED:		APVD 12-10-90 A. BOULLIANNE	PIN ASSEMBLY, LOOSE PIECE, TYPE III+	
0 PLC ± - 1 PLC ± - 2 PLC ± 0.13[.005] 3 PLC ± - 4 PLC ± - ANGLES ± -		PRODUCT SPEC - APPLICATION SPEC -	SIZE A2	RESTRICTED TO -
MATERIAL SEE CALL OUT		FINISH PIN BODY:SEE TABLE	CAGE CODE 00779	DRAWING NO C-66406
CUSTOMER DRAWING		WEIGHT -	SCALE 8:1	SHEET 1 OF 1
			REV R1	