

**ebm-papst St. Georgen GmbH & Co. KG**

Hermann-Papst-Str. 1
 D-78112 St. Georgen
 Phone +49 (0) 7724 81-0
 Fax +49 (0) 7724 81-1309
 info2@de.ebmpapst.com
 www.ebmpapst.com

Nominal data

Type	622 /2H3P	
Nominal voltage	VDC	12
Nominal voltage range	VDC	8 .. 13.2
Speed (rpm)	min ⁻¹	9700
Power consumption	W	5.5
Min. ambient temperature	°C	-20
Max. ambient temperature	°C	60
Air flow	m ³ /h	67
Sound power level	B	5.9
Sound pressure level	dB(A)	48

ml = Max. load · me = Max. efficiency · fa = Free air · cs = Customer specification · ce = Customer equipment
 Subject to change

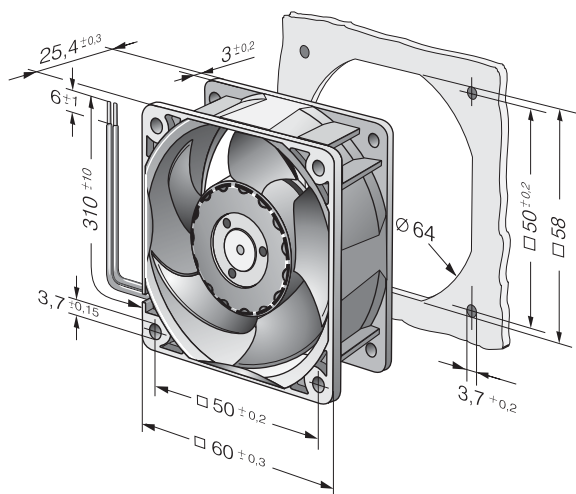


Technical description

General description	Very low-noise motor
Housing material	Glass-fiber reinforced PBT plastic
Impeller material	Glass-fiber reinforced PA plastic
Weight	0.085 kg
Dimensions	60 x 60 x 25 mm
Airflow direction	Exhaust over struts
Direction of rotation	Clockwise, viewed toward rotor
Storage	Ball bearing
Service life L10 at 40 °C	52500 h
Service life L10 at maximum temperature	32500 h
Cable	With leads AWG 22, TR 64
Approval	VDE, CSA, UL
Option	Possible custom designs: Speed signal Go / No-go alarm Alarm with speed limit External temperature sensor Internal temperature sensor PWM control input Analog control input Moisture protection



Product drawing



Curves

