

Product Change Notice

Issue Date: 31 Dec 2013

Change Type:

To change 5mm Lamp leadframe thickness from 25mils to 18mils.

Parts Affected:

HLMP-3960	HLMP-3390	QLMP-3678	HLMP-3600-D00B2
HLMP-3960-K0002	HLMP-3651	HLMP-3650-C00B2	HLMP-3600
HLMP-3950	QLMP-G598	HLMP-3650	QLMP-3861-KB000
HLMP-3950-MNC00	HLMP-4101	QLMP-3647-B000	HLMP-3850
HLMP-3950-K0001	QLMP-3690	HLMP-3601	HLMP-3850-K0002
HLMP-3950-K0002	HLMP-3680	HLMP-3495	HLMP-3850-K00B2
HLMP-3950-K00B2	HLMP-3680-B00B2	HLMP-3490	HLMP-D155
HLMP-3950-LM000	QLMP-3691-B0000	QLMP-D143	HLMP-D155-F0002
HLMP-3750	HLMP-3681-B0000	HLMP-D105	HLMP-D154-F0002
HLMP-3750-L00B2	HLMP-3595	HLMP-D105-M0002	QLMP-3623
HLMP-3750-L0002	HLMP-3590	QLMP-3646	

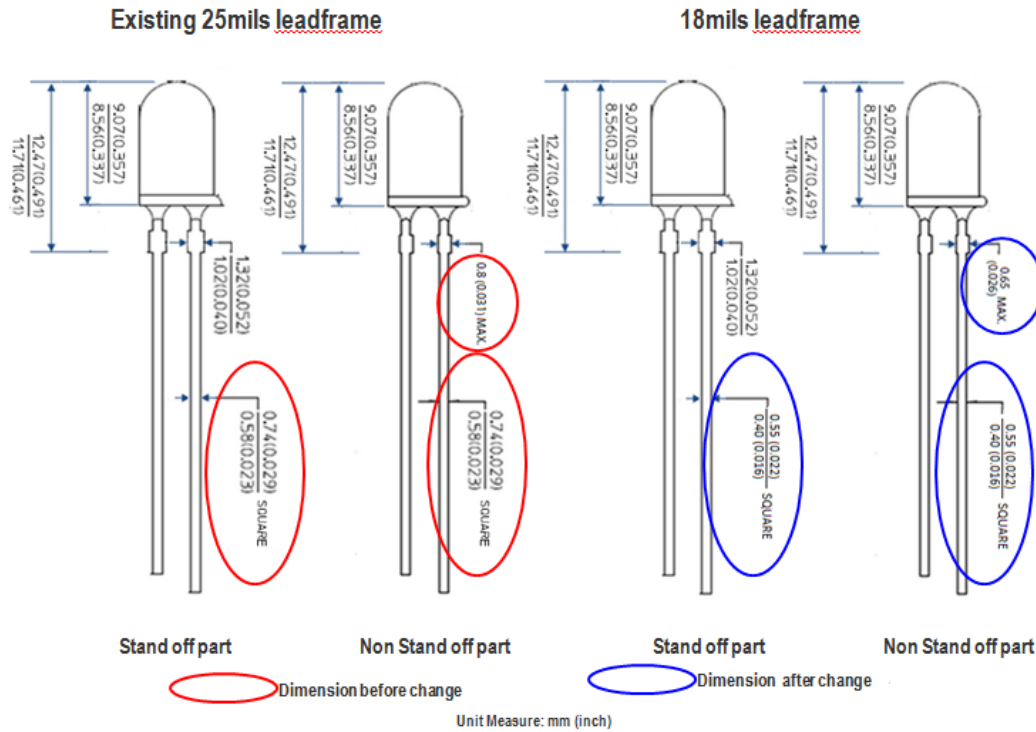
Description and Extent of Change:

25mils leadframe thickness for existing 5mm Lamp (for above part numbers) will be replaced by 18 mils leadframe thickness. There is no change in device functionality and electrical performance.

Reasons for Change:

Leadframe supplier had ceased operation and discontinued the supply of 25mils leadframe.

Effect of Change on Fit, Form, Function, Quality, or Reliability:



No impact to product performance as the only difference is in the leadframe thickness
 This 18mils leadframe is an existing leadframe that is being used in production for other 5mm lamp part numbers.

- Recommended PC board plated through holes (PTH) size for LED component leads:

	LED Component Lead Size	Diagonal	Plated Through-Hole Diameter
Lead size (typ.)	0.45 × 0.45 mm (0.018 × 0.018 in.)	0.636 mm (0.025 in)	0.98 to 1.08 mm (0.039 to 0.043 in)
Dambar shear-off area (max.)	0.65 mm (0.026 in)	0.919 mm (0.036 in)	

Qualification and characterization have been conducted to confirm both existing 25mils and 18mils leadframes are comparable.

Effective Date of Change:

Avago Technologies will begin to ship these part numbers with 18mils leadframe effective from 1st Apr 2014 onwards.

Qualification Data:

All the qualification vehicles submitted to reliability tests passed Avago's reliability tests requirements.
 Qualification data would be available upon request.

These changes have been reviewed and approved by Avago Technologies engineers and managers per Avago Technologies' procedure: Change Control and Customer Notification, 5962-6052-80.

Please contact your Avago Technologies field sales engineer or Contact Center (<http://www.avagotech.com/contact/>) for any questions or support requirements. Please return any response as soon as possible, but not to exceed 30 days.