

**Technical specification:**

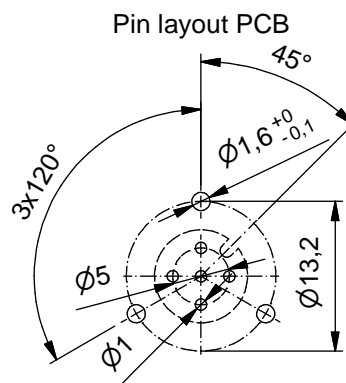
Rated voltage: IEC 61076-2-101	4pos 250 V	5pos 60 V
Current rating: IEC 61076-2-101	4/5pos 4 A at 40°C	
Insulation resistance: IEC 60512	>=100 MΩ	
Pollution degree: IEC 60664-1	3/2	
Degree of protection: IEC 60529	IP 67, in mated condition	
Temperature range:	-30°C ... +85°C	
Mating cycles: IEC 60512-9a	>=100	

**Materials:**

Contact:	CuZn
Contact plating:	Nickel, gold plated
Contact carrier:	PBT GF, UL 94
Sealing:	NBR
Counternut:	CuZn, nickel plated
Socket housing:	CuZn, nickel plated
Grouting:	Polyurethane-resin, UL 94

**Installation specification:**

Recommended torque:	1-1,2 Nm
Conec installation tool:	Torque wrench: 36-000200 Insert across flats 19: 36-000250



Part-no.:	Description:	Pos
43-02204	SAL - 12S - FSH4 - P6,75	4
43-02205	SAL - 12S - FSH5.1 - P6,75	5

DO NOT ALTER CAD DRAWING BY HAND Directive 2002/95/EC RoHS compliant	dim. in mm		title: <b>Male socket M12x1 with dip solder, backmounting</b>	
		date		name
		drawn	12.04.13	Fromm
		appd.	12.04.13	Mankopf
general tolerance: 0 ± 0,50mm 0,0 ± 0,25mm 0,00 ± 0,10mm				
THIS DRAWING MAY NOT BE COPIED OR REPRODUCED IN ANY WAY, AND MAY NOT BE PASSED ON TO A THIRD PARTY WITHOUT WRITTEN PERMISSION. OWNERSHIP AND COPYRIGHT OF CONEC GmbH				
			title: <b>43K1A1999</b>	
			part no: <b>see table</b>	