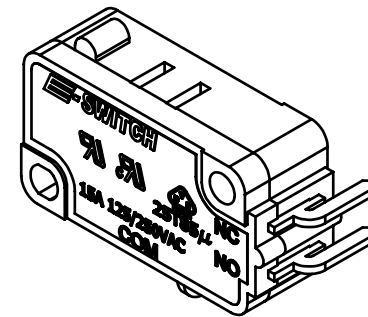
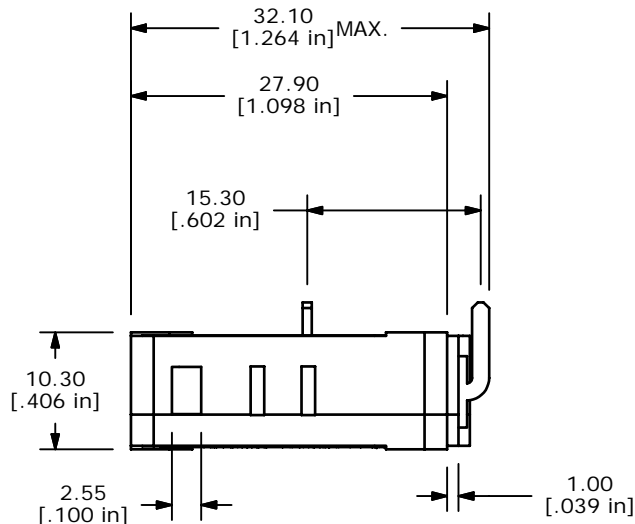


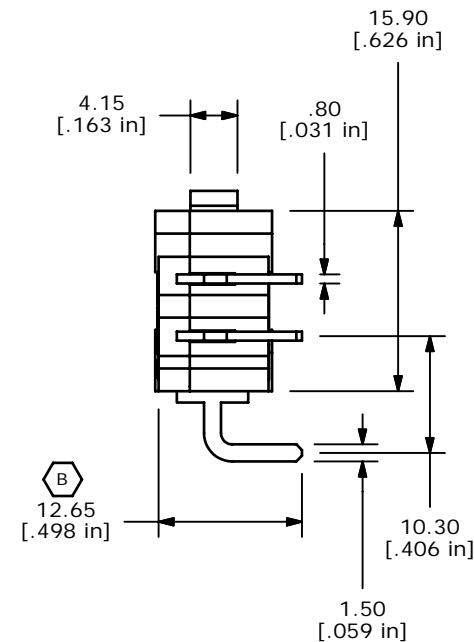
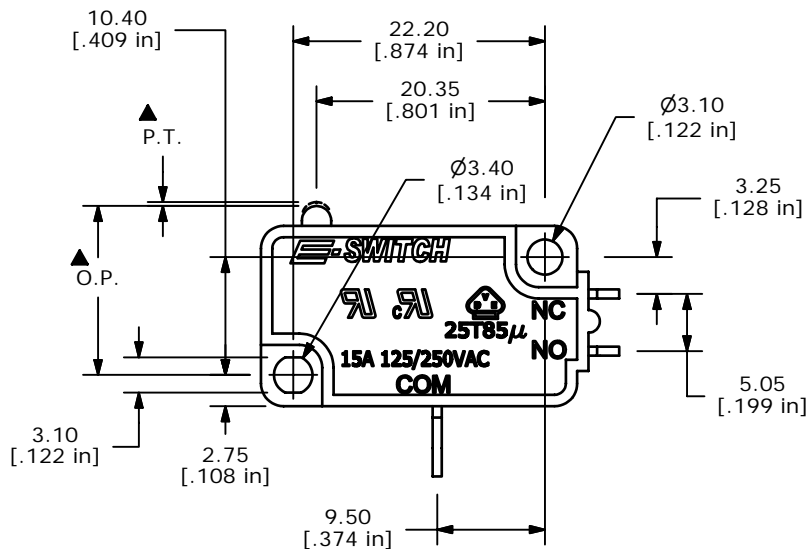
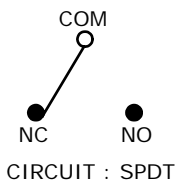
PANEL MOUNTING



ISOMETRIC

O.P. (MM)	P.T. (MM)
14.7 ± 0.5	1.5 MAX.

O.P. = OPERATING POINT
P.T. = PRE-TRAVEL



NOTES:

- ALL DIMENSIONS IN MM [INCH]
- GENERAL TOLERANCE: X.X ± 0.4
X.XX ± 0.25
- RATING: 15A @ 125/250VAC UL, CUL, VDE APPROVED
- OPERATING FORCE: 250 ± 50 GRAMS
- OPERATING TEMP: -25°C TO 85°C
- ELECTRICAL LIFE: 50,000 CYCLES MIN.
- MECHANICAL LIFE: 1,000,000 CYCLES TYP.
- INSULATION RESISTANCE: 100 MEGA-OHMS MIN.
- DIELECTRIC STRENGTH: 1500VAC 1 MINUTE (INITIAL VALUE)
- CONTACT RESISTANCE: 100 MILLI -OHMS MAX.
- 2002/95/EC (ROHS) COMPLIANT
- ▲ DENOTES CRITICAL PARAMETER.



REV	PCR NO	DESCRIPTION	DATE	BY
B	19510	CHANGED DIMENSION	12/09/10	BGL
A	18067	RELEASED FOR PRODUCTION	4/25/08	BLR

TITLE LS0851500F250V1A				
SCALE	DATE	DR	DWG	REV
1.5:1	4/25/2008	BLR	Q950053	B

THE INFORMATION CONTAINED IN THIS DOCUMENT IS PROPRIETARY TO E-SWITCH AND IS NOT TO BE COPIED OR TRANSFERRED