

LTR	DESCRIPTION	DATE	APPROVED
B	REVISED DWG. FORMAT	2-9-81	<i>Bl. Blum PLS</i>
C	ADDED NOTE 6	11-14-83	<i>SLJ</i>
D	CHANGED APPEARANCE OF JW WALL	12/21/83	<i>SLJ</i>
E	DELETE DUST CAP REQUIREMENT	12-15-88	<i>SLJ</i>

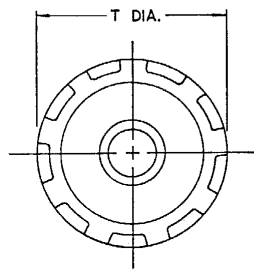
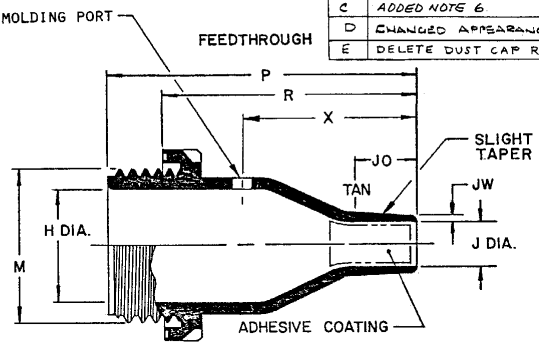
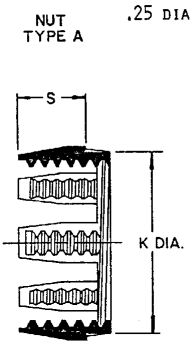
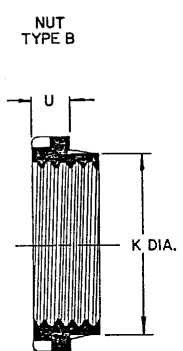


TABLE OF DIMENSIONS

BASE PART NUMBER	H REF	J MIN	J MAX	JO MAX	K REF	M THREAD	P ±10%	R ±10%	S ±10%	T REF	U ±10%	JW ±20%	HOLE DIA. ±.02	X ±20%
207W213	.47	.39	.16	.60	.91	.79	2.44	1.93	.51	1.26	.39	.04	.94	.93
207W223	.79	.71	.28	.76	1.30	1.18	2.83	2.32	.63	1.65	.39	.06	1.34	1.32
207W234	1.22	1.10	.47	1.06	1.81	1.65	3.43	2.91	.71	2.28	.39	.08	1.85	1.91
207W245	1.77	1.65	.71	1.26	2.34	2.20	4.02	3.50	.71	2.80	.39	.12	2.38	2.50
207W256	2.68	2.52	1.18	1.48	3.31	3.15	4.80	4.29	.71	3.82	.39	.12	3.35	3.29

NOTES:

- ALL DIMENSIONS ARE IN INCHES.
- DIMENSIONS APPEARING IN TABLE ARE AS FOLLOWS:
a - AS SUPPLIED
b - AFTER UNRESTRICTED RECOVERY
- NUT TYPE IS OPTIONAL; SEE ORDERING INFORMATION FOR TYPE OF NUT TO BE SUPPLIED WITH PART.
- "0" RING SUPPLIED WITH EACH PART.
- COATING IS OPTIONAL. AS SUPPLIED DIMENSIONS SHOWN IN TABLE ARE UNCOATED; "J" ENTRY DIAMETER SHALL BE REDUCED BY .06 MAX WHEN COATING IS ADDED.

If this document is printed it becomes uncontrolled.
Check for the latest revision.

ORDERING INFORMATION:

Base part number 207W213 -3 -A02 /42

Feedthrough material dash number
-3 Polyolefin, Semi-rigid (RT-301/7)

Modification number
-A02 Type A nut, with .25 dia port (Supplied without plug)
-A03 Type B nut, with .25 dia port (Supplied without plug)

Coating option
/42 (S-1017) adhesive (if required)

SPECIFICATION CONTROL DRAWING (LIMITED DISTRIBUTION)

THIS DRAWING AND THE INFORMATION SET FORTH HEREON ARE THE PROPERTY OF RAYCHEM CORPORATION, AND ARE TO BE HELD IN TRUST AND CONFIDENCE. PUBLICATION, DUPLICATION, DISCLOSURE, OR USE FOR ANY PURPOSE NOT EXPRESSLY AUTHORIZED IN WRITING BY RAYCHEM CORPORATION IS PROHIBITED.	DRAWN	<i>RW 2-9-81</i>	Raychem <small>RAYCHEM CORPORATION 300 CONSTITUTION DRIVE MENLO PARK, CALIFORNIA 94025</small>		
	CHECKED	<i>SLJ 2/10/81</i>			
	DSGN APPD	<i>SLJ 2/10/81</i>	TITLE	FEEDTHROUGH SEAL	
	MFG APPD	<i>Blum 2/10/81</i>			
	OC APPD	<i>Blum 2/9/81</i>	CODE IDENT.	DWG. NO.	207W2XX - 3 - A02 & A03
MKTG APPD	<i>Blum 2/9/81</i>	NO. 06080			
TECH. SERV.	<i>Blum 2/9/81</i>	SIZE B	SCALE	NONE	SHEET 1 OF 2
DO NOT SCALE THIS DRAWING	PROJECT				