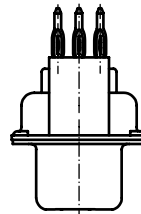
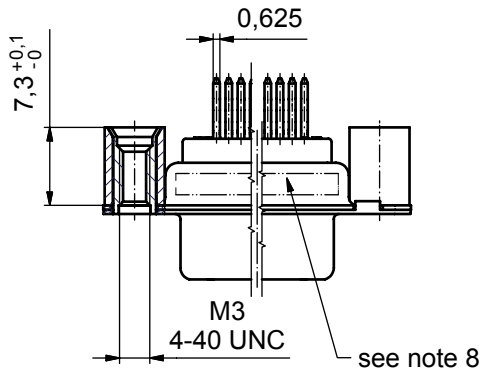
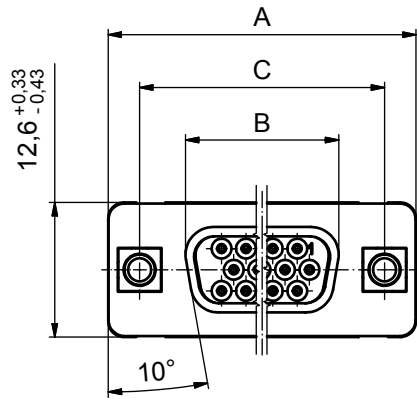
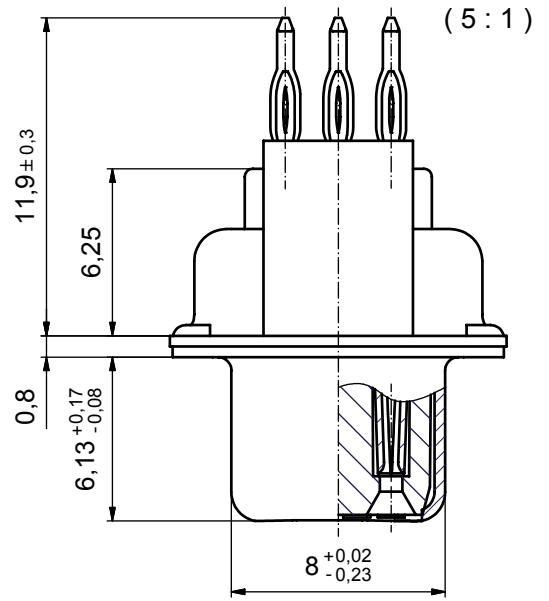


**NOTES:**

1. METALSHELLS: STEEL; min. 315µin TIN over 40-80µin NICKEL
2. INSULATORS: PBT GF UL 94 V-0, BLACK
3. PRESS-FIT CONTACTS: COPPER ALLOY  
PLATING MATING AREA: FLASH GOLD over NICKEL  
PLATING TERMINATION AREA: 20-40µin (SN 100)  
P.C.B. THICKNESS: min. 1,6mm
4. THREADED REAR SPACER: COPPER ALLOY; min. 200µin TIN over 80µin NICKEL
5. SLEEVE: COPPER ALLOY; min. 200µin TIN over 80µin NICKEL
6. P.C.B. HOLE DRILLINGS SEE SHEET 2
7. MAXIMUM TORQUE VALUE FOR THREAD: 6 in.LB
8. CONNECTOR IS PART MARKED: PART-NO. CONEC ABC



Polzahl No. of pos.	A	B	C	Art.-Nr. Part-No.	
				M3	4-40 UNC
15	30,88 <sup>+0,31</sup> <sub>-0,45</sub>	16,41 <sup>+0,05</sup> <sub>-0,2</sub>	24,99 <sup>+0,13</sup> <sub>-0,12</sub>	DSH1XSHAA50X	DSH1XSHAA49X
26	39,22 <sup>+0,3</sup> <sub>-0,46</sub>	24,74 <sup>+0,05</sup> <sub>-0,2</sub>	33,32 <sup>+0,13</sup> <sub>-0,12</sub>	DSH2XSHAA50X	DSH2XSHAA49X
44	53,09 <sup>+0,33</sup> <sub>-0,43</sub>	38,51 <sup>+0</sup> <sub>-0,26</sub>	47,04 ± 0,13	DSH3XSHAA50X	DSH3XSHAA49X
62	69,50 <sup>+0,2</sup> <sub>-0,56</sub>	54,94 <sup>+0,02</sup> <sub>-0,23</sub>	63,50 ± 0,13	DSH4XSHAA50X	DSH4XSHAA49X

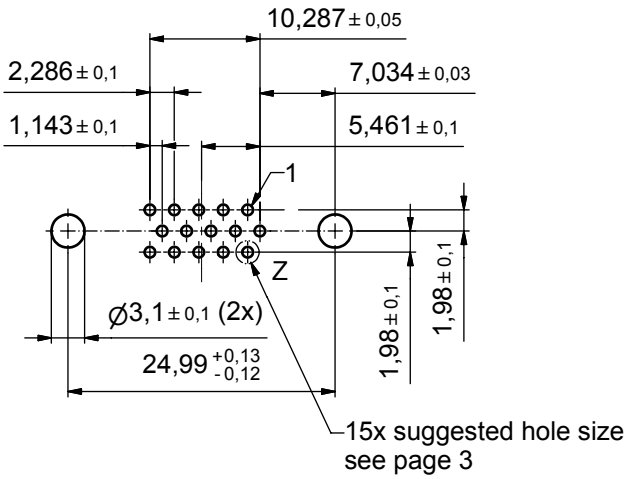
Directive 2002/95/EC  
"RoHS"  
Compliant

APPROVAL # FREIGABE # DEBLOCAGE # AUTORIZACION # APPROVAL	
CUSTOMER APPROVAL DATE:	
NAME:	TITLE:
COMPANY NAME:	
APPROVAL # FREIGABE # DEBLOCAGE # AUTORIZACION # APPROVAL	

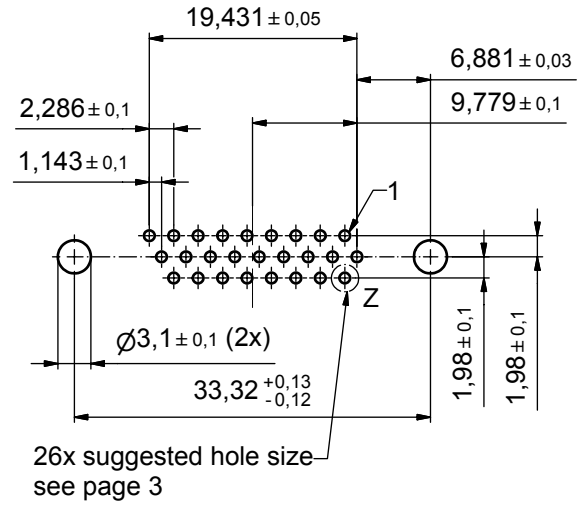
THIS DRAWING MAY NOT BE COPIED OR REPRODUCED IN ANY WAY, AND MAY NOT BE PASSED ON TO A THIRD PARTY WITHOUT WRITTEN PERMISSION. OWNERSHIP AND COPYRIGHT OF CONEC GmbH  DO NOT ALTER CAD DRAWING BY HAND				tolerance		 dim. in mm	scale: 2:1 (5:1)		
				date			material: see notes		
				drawn	16.04.07		name	title:	
				appd.	16.04.07		Koch	D-SUB HD FEMALE	
norm		d-old		15-62pos. PRESS-FIT STRAIGHT					
a		Origin		with threaded rear spacer					
rev.		description		dwg no: Inventor					
date		name		16K1A2044					
date		name		part no: see table					



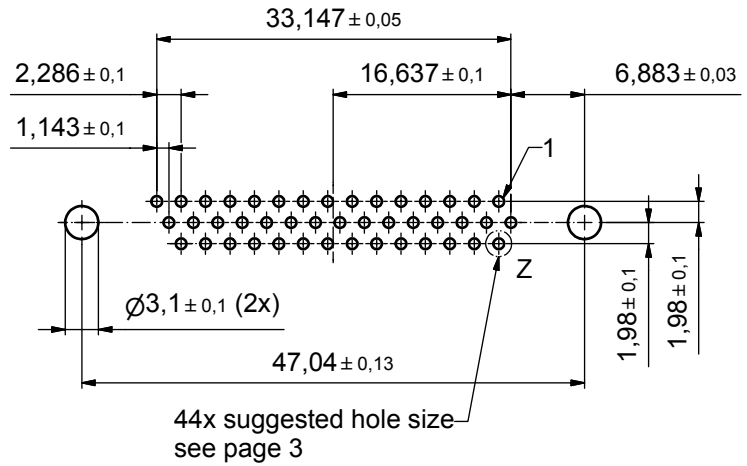
material: see notes		DIN-A3
title: D-SUB HD FEMALE 15-62pos. PRESS-FIT STRAIGHT with threaded rear spacer		sh: 1
dwg no: Inventor		
16K1A2044		
part no: see table		



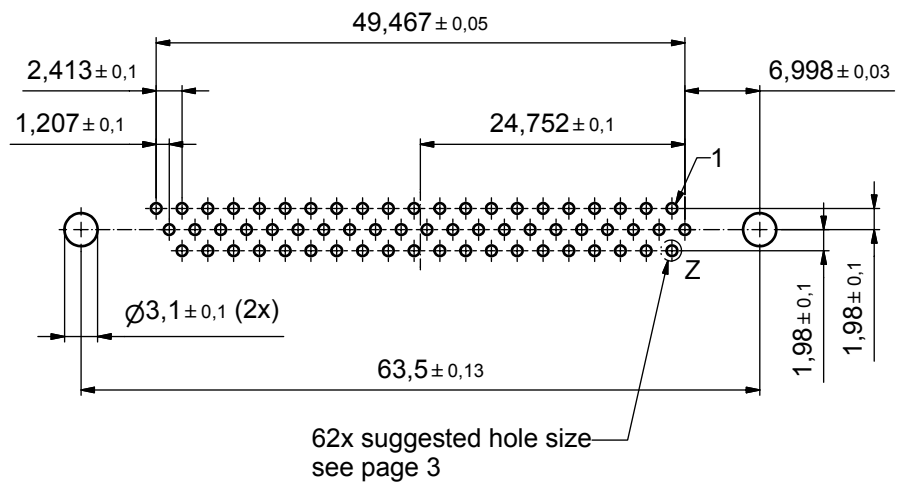
15 pos.



26 pos.



44 pos.



62 pos.

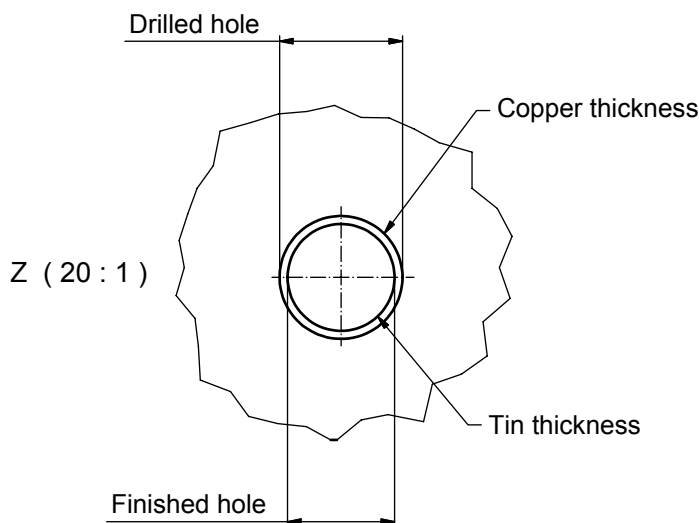
APPROVAL # FREIGABE # DEBLOCAGE # AUTORIZACION # APPROVAL	
CUSTOMER APPROVAL DATE:	
NAME:	TITLE:
COMPANY NAME:	
APPROVAL # FREIGABE # DEBLOCAGE # AUTORIZACION # APPROVAL	

DO NOT ALTER CAD DRAWING BY HAND				tolerance		scale: 2:1
THIS DRAWING MAY NOT BE COPIED OR REPRODUCED IN ANY WAY, AND MAY NOT BE PASSED ON TO A THIRD PARTY WITHOUT WRITTEN PERMISSION. OWNERSHIP AND COPYRIGHT OF CONEC GmbH				dim. in mm		material:
a				date	name	title:
rev.				29.06.07	Sonnenberg	P.C.B.HOLE DRILLINGS D-SUB HD 15-62pos. PRESS-FIT STRAIGHT with threaded rear spacer
description				29.06.07	Koch	
date				norm		
name				d-old		
						dwg no: Inventor
						DIN-A3
						sh: 2
						part no: SEE SHEET 1

**SUGGESTED PCB HOLE SIZE DIMENSIONS FOR  
D-SUB HD CONNECTORS  
WITH PRESS FIT TERMINATIONS**

**ACCORDING IEC 60352-5**

THROUGH HOLE PLATING	Signal Contact	
	NOMINAL DIAMETER	
TIN-LEAD	DRILLED HOLE	1,15 ±0,025 mm
	COPPER	min. 25µm
	TIN-LEAD	min. 15µm
	FINISHED HOLE	1,0 +0,09 -0,06mm
Galv./HAL TIN	DRILLED HOLE	1,15 ±0,025 mm
	COPPER	min. 25µm
	TIN	5-15µm
	FINISHED HOLE	1,0 +0,09 -0,06mm
CHEM. TIN	DRILLED HOLE	1,15 ±0,025 mm
	COPPER	min. 25µm
	CHEM. TIN	max. 1,5µm
	FINISHED HOLE	1,0 +0,09 -0,06mm



APPROVAL # FREIGABE # DEBLOCAGE # AUTORIZACION # APPROVAL	
CUSTOMER APPROVAL DATE:	
NAME:	TITLE:
COMPANY NAME:	
APPROVAL # FREIGABE # DEBLOCAGE # AUTORIZACION # APPROVAL	

THIS DRAWING MAY NOT BE COPIED OR REPRODUCED IN ANY WAY, AND MAY NOT BE PASSED ON TO A THIRD PARTY WITHOUT WRITTEN PERMISSION. OWNERSHIP AND COPYRIGHT OF CONEC GmbH				tolerance		dim. in mm	scale: 20:1	
DO NOT ALTER CAD DRAWING BY HAND				date	name		material:	
a	Origin			drawn	29.06.07	Sonnenberg	title: D-SUB HD FEMALE	
rev.	description	date	name	appd.	29.06.07	Koch	15-62pos. PRESS-FIT STRAIGHT	
				norm			with threaded rear spacer	
				d-old			dwg no:	Inventor
							16K1A2044	
							part no:	SEE SHEET 1

DIN-A3	sh: 3
--------	-------

