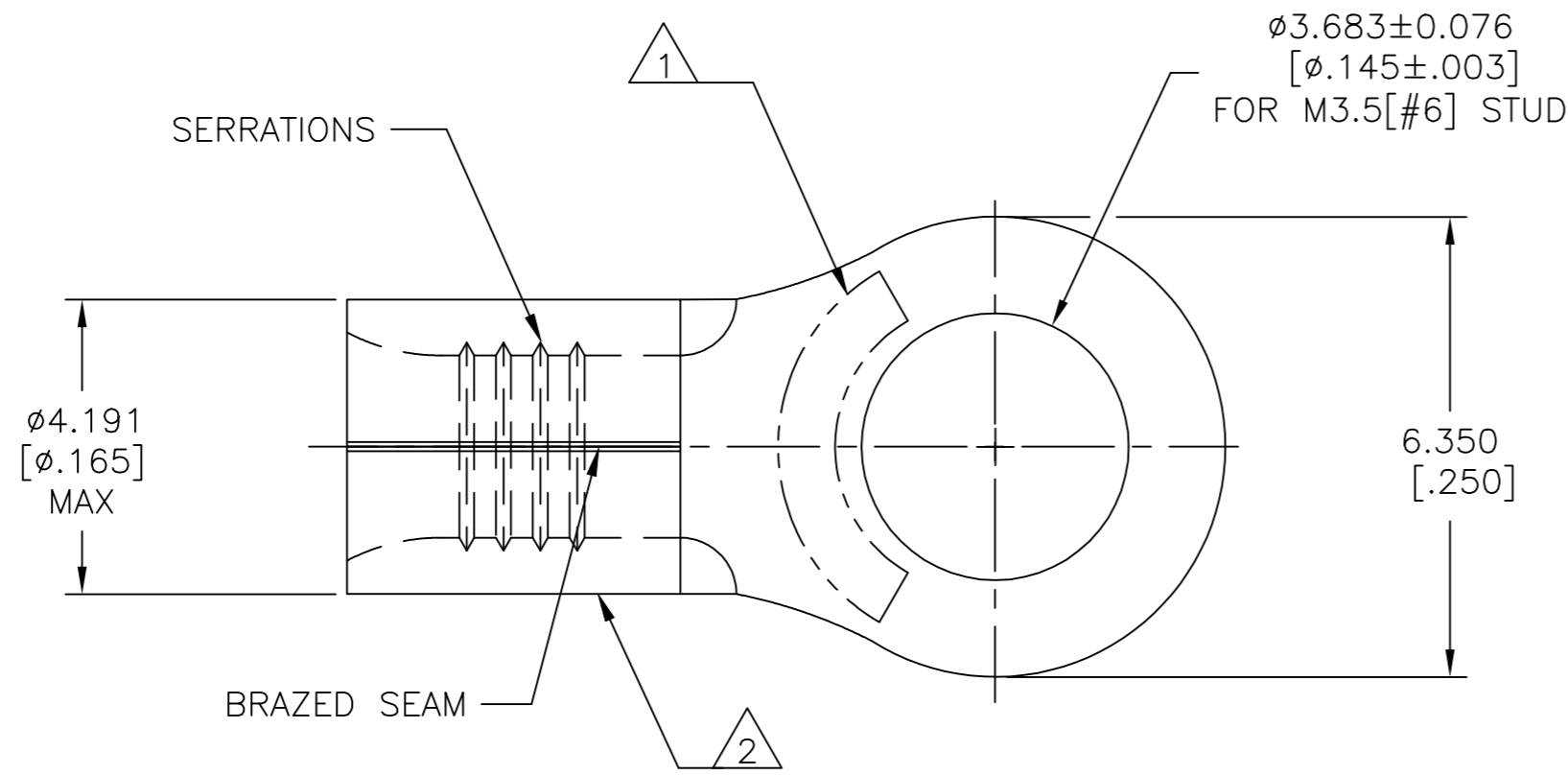


THIS DRAWING IS UNPUBLISHED. RELEASED FOR PUBLICATION
 © COPYRIGHT - TE Connectivity Ltd. ALL RIGHTS RESERVED.

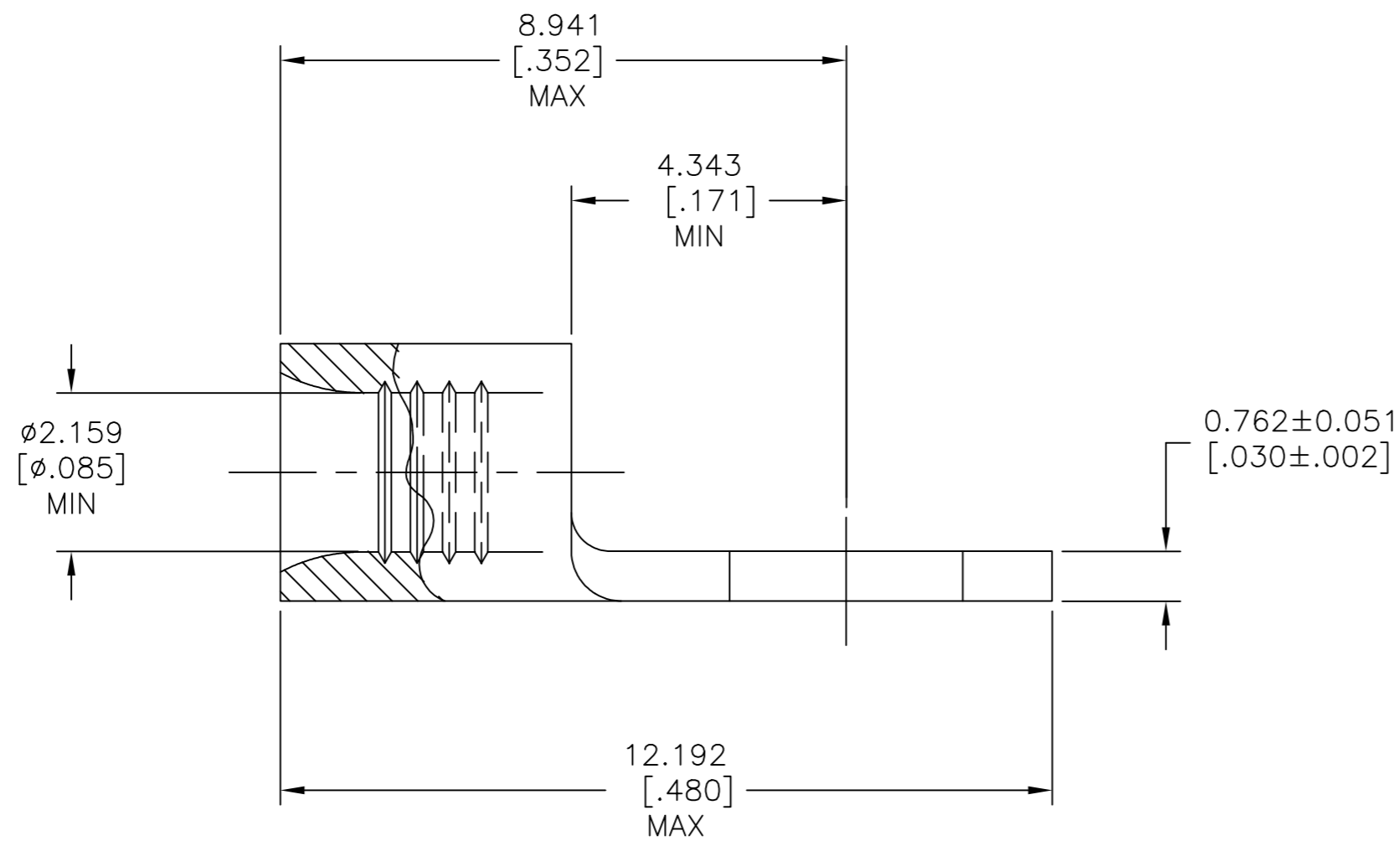
REVISIONS					
P	LTR	DESCRIPTION	DATE	DWN	APVD
	L	REV PER ECR 09-027862	23DEC09	JR	TM
	L1	REVISED PER ECO-17-008808	09MAR2018	RS	DR



AMP
WIRE RANGE

16-14 AWG
SOLID OR STRANDED

- STAMP AMP 16-14 APPROX AS SHOWN
- WIRE BARREL COLOR CODED ORANGE TO DENOTE NICKEL MATERIAL
- NO COLOR CODING
- NICKEL PER ASTM B162, ANNEALED



5000	ON TAPE	2-322329-2
1000	LOOSE PIECE	2-322329-1
1000	LOOSE PIECE	322329
QTY	PACKAGE TYPE	PART NO.

CUSTOMER SERVICE SYSTEMS		MAX RECOMMENDED OPERATING TEMPERATURE:	THIS DRAWING IS A CONTROLLED DOCUMENT.		DWN	4-15-93	TE Connectivity Ltd.			
FOR ADDITIONAL PRODUCT INFORMATION OR COPIES OF DRAWINGS AND TECHNICAL DOCUMENTS	PRODUCT INFORMATION CENTER 1-800-522-6752	649°C [1200°F]	DIMENSIONS:	TOLERANCES UNLESS OTHERWISE SPECIFIED:	CHK	4-15-93				
FOR APPLICATION	TOOLING ASSISTANCE CENTER 1-800-722-1111	VOLTAGE RATING: N/A	mm [INCHES]	0 PLC ± - 1 PLC ± - 2 PLC ± - 3 PLC ± 0.127[.005] 4 PLC ± -	APVD	4-15-93				
TOOLING INFORMATION	1-800-722-1111	CIRCULAR MIL AREA: 1.04-2.62mm² [2,050-5,180] SOLID OR STRANDED		ANGLES ± -	PRODUCT SPEC					
FOR ORDER ENTRY	1-800-526-5142		MATERIAL	FINISH	APPLICATION SPEC					
THIS DRAWING IS A CONTROLLED DOCUMENT FOR AMP INCORPORATED. IT IS SUBJECT TO CHANGE AND THE CONTROLLING ENGINEERING ORGANIZATION SHOULD BE CONTACTED FOR THE LATEST REVISION.					WEIGHT		SIZE	CAGE CODE	DRAWING NO	RESTRICTED TO
					CUSTOMER DRAWING		A2	00779	C=322329	-
							SCALE	SHEET	REV	
							10:1	1 of 1	L1	