

MATERIALS AND FINISHES

BODY: ZINC ALLOY  
PLATED SEE TABLE

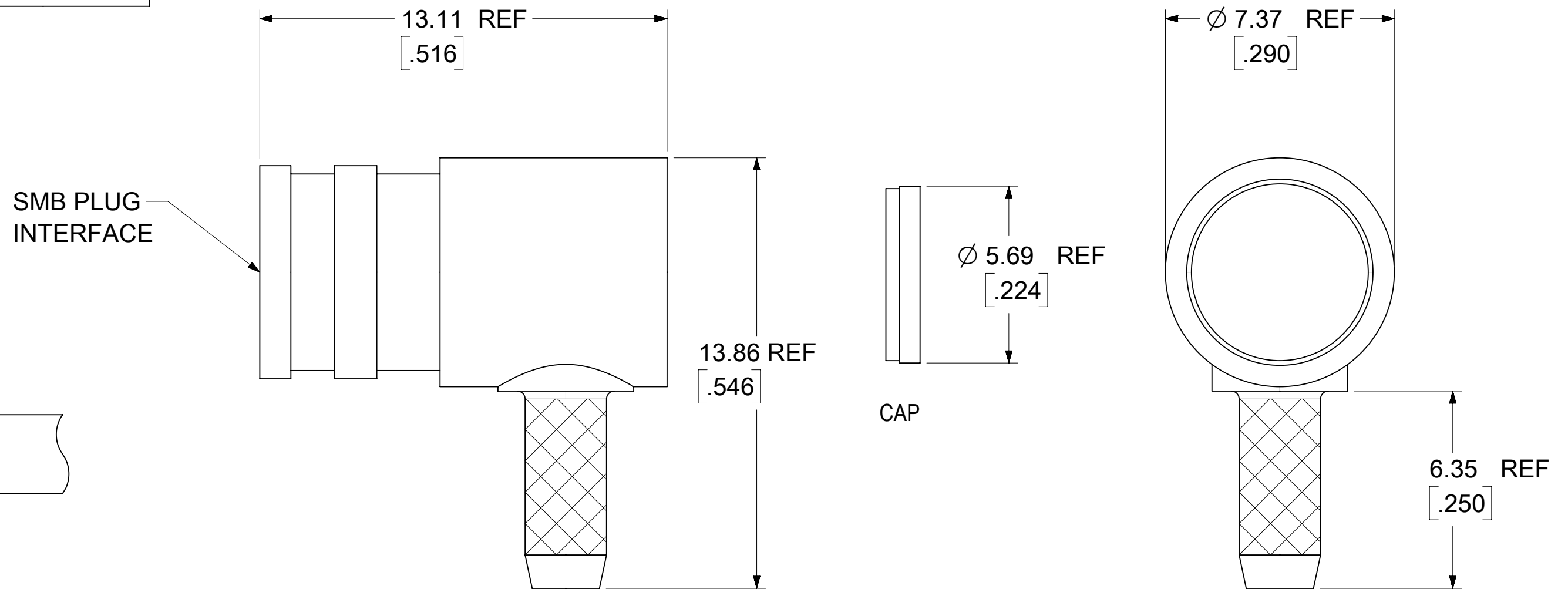
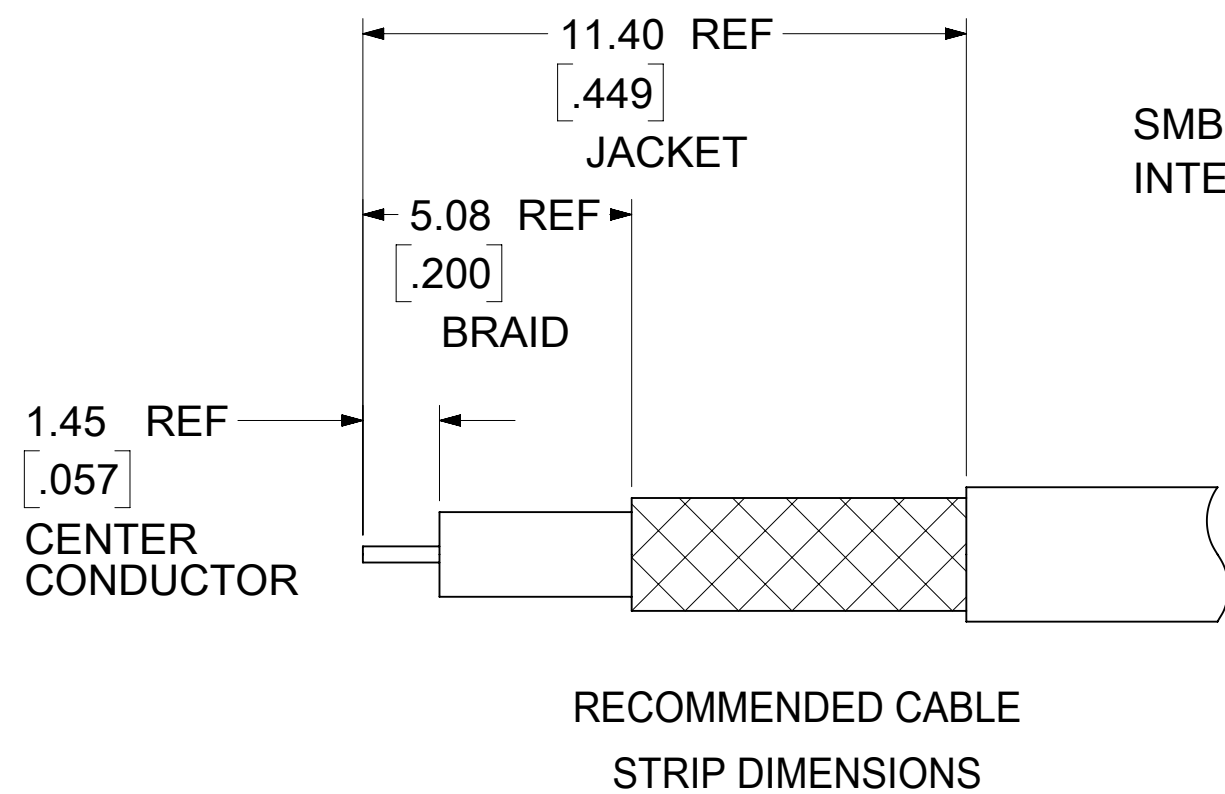
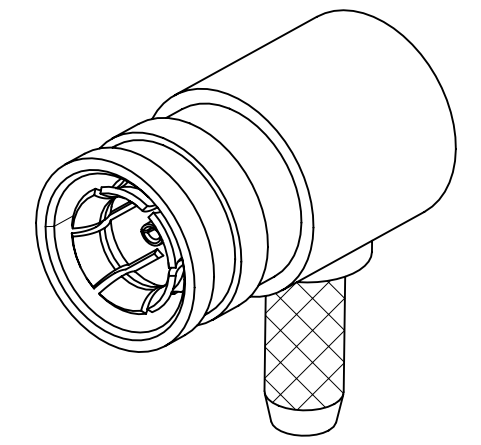
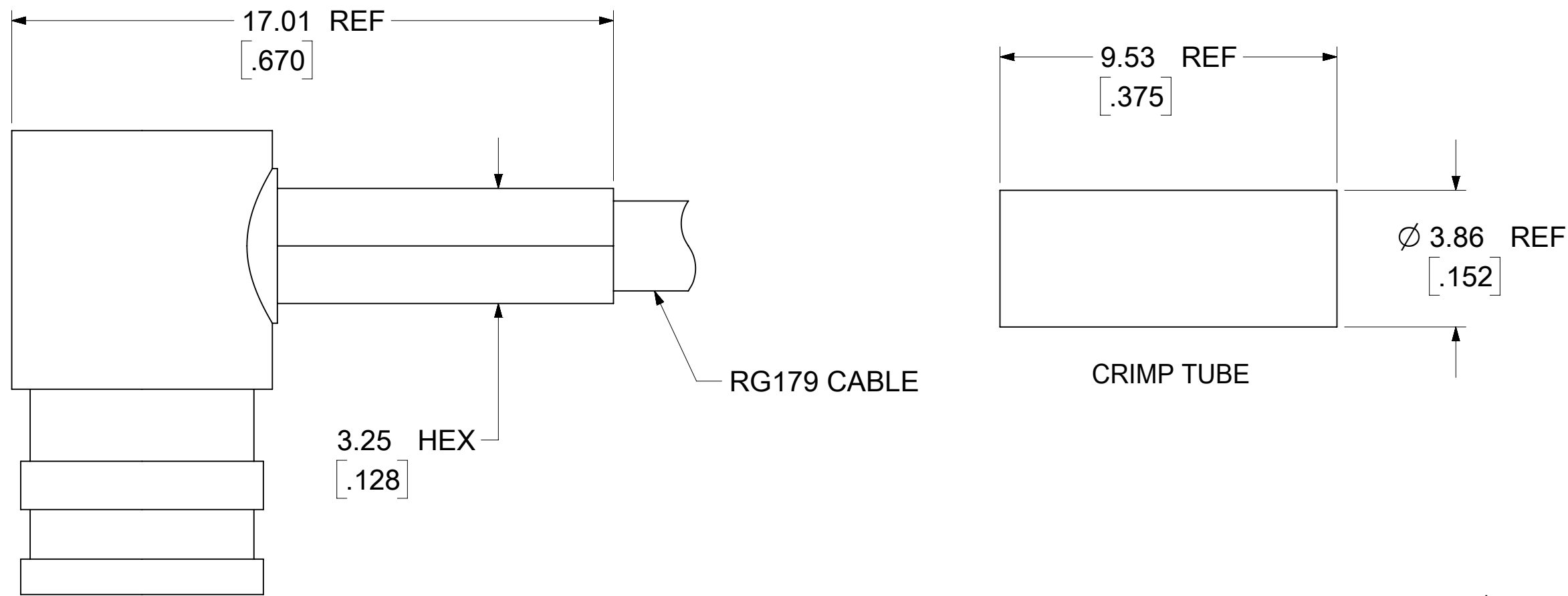
CENTER CONTACT  
BERYLLIUM COPPER  
PLATED GOLD

OUTER CONTACT: BERYLLIUM COPPER  
PLATED SEE TABLE

INSULATOR POLYPROPYLENE

CAP, CRIMP TUBE: BRASS  
PLATED SEE TABLE

PACKAGE SEE 895420040 DRAWING



73404-0432	NICKEL	GOLD	NICKEL	NICKEL
73404-0431	GOLD	GOLD	GOLD	GOLD
73404-0430	NICKEL	NICKEL	NICKEL	NICKEL
PART NO.	BODY	OUTER CONTACT	CAP	CRIMP TUBE
	PLATING	PLATING	PLATING	PLATING

PS-89675-3540	ELECTRO/MECH PERFORM.
MIL-STD-348A, FIG. 311.2	INTERFACE
SPECIFICATION	DESCRIPTION

FUNCTIONAL SYMBOLS FA = 0 FC = 0 FP = 0	THIS DRAWING CONTAINS INFORMATION THAT IS PROPRIETARY TO MOLEX ELECTRONIC TECHNOLOGIES, LLC AND SHOULD NOT BE USED WITHOUT WRITTEN PERMISSION		CURRENT REV DESC:		<b>molex</b>		
	DIMENSION UNITS MM/INCH	SCALE NTS	EWR # 13942-B ADDED -0432 PART NO				
DIVISIONAL SYMBOLS	GENERAL TOLERANCES (UNLESS SPECIFIED)		EC NO: 693776		SMB PLUG 75 OHMS, R/A RG-179 CABLE SMB-PC/RA		
	ANGULAR TOL ± 2.0°		DRWN: JSU18	2020/08/13			
	4 PLACES ±		CHK'D: YCHENG	2022/02/16			
	3 PLACES ±		APPR: YCHENG	2022/02/16			
2 PLACES ± 0.13		INITIAL REVISION:		PRODUCT CUSTOMER DRAWING			
1 PLACE ±		DRWN: RFC_PLMIMP	2018/01/30	DOCUMENT NUMBER	DOC TYPE	DOC PART	REVISION
0 PLACES ±		APPR: JWIENER	2006/03/30	SD-73404-043	PSD	001	A4
DRAFT WHERE APPLICABLE MUST REMAIN WITHIN DIMENSIONS		THIRD ANGLE PROJECTION	DRAWING	SERIES	MATERIAL NUMBER	CUSTOMER	SHEET NUMBER
			C-SIZE	73404		GENERAL MARKET	1 OF 1