

POSITIONS/ CONTACTS	A		B	
	INCH	MM	INCH	MM
02/02	0.100	2.54	0.200	5.08
03/03	0.200	5.08	0.300	7.62
04/04	0.300	7.62	0.400	10.16
05/05	0.400	10.16	0.500	12.70
06/06	0.500	12.70	0.600	15.24
07/07	0.600	15.24	0.700	17.78
08/08	0.700	17.78	0.800	20.32
09/09	0.800	20.32	0.900	22.86
10/10	0.900	22.86	1.000	25.40
11/11	1.000	25.40	1.100	27.94
12/12	1.100	27.94	1.200	30.48
13/13	1.200	30.48	1.300	33.02
14/14	1.300	33.02	1.400	35.56
15/15	1.400	35.56	1.500	38.10
16/16	1.500	38.10	1.600	40.64
17/17	1.600	40.64	1.700	43.18
18/18	1.700	43.18	1.800	45.72
19/19	1.800	45.72	1.900	48.26
20/20	1.900	48.26	2.000	50.80
21/21	2.000	50.80	2.100	53.34
22/22	2.100	53.34	2.200	55.88
23/23	2.200	55.88	2.300	58.42
24/24	2.300	58.42	2.400	60.96
25/25	2.400	60.96	2.500	63.50
26/26	2.500	63.50	2.600	66.04
27/27	2.600	66.04	2.700	68.58
28/28	2.700	68.58	2.800	71.12
29/29	2.800	71.12	2.900	73.66
30/30	2.900	73.66	3.000	76.20
31/31	3.000	76.20	3.100	78.74
32/32	3.100	78.74	3.200	81.28
33/33	3.200	81.28	3.300	83.82
34/34	3.300	83.82	3.400	86.36
35/35	3.400	86.36	3.500	88.90
36/36	3.500	88.90	3.600	91.44
37/37	3.600	91.44	3.700	93.98
38/38	3.700	93.98	3.800	96.52
39/39	3.800	96.52	3.900	99.06
40/40	3.900	99.06	4.000	101.60

PART NUMBER CODING

xPxCxx1KFxx-RC

TERMINATION TYPES

C = SURFACE MOUNT, SINGLE ROW, PIN 1 (STANDARD)
 D = SURFACE MOUNT, SINGLE ROW, PIN 1

NUMBER OF POSITIONS

(CONTACTS PER ROW, 02 THRU 40)

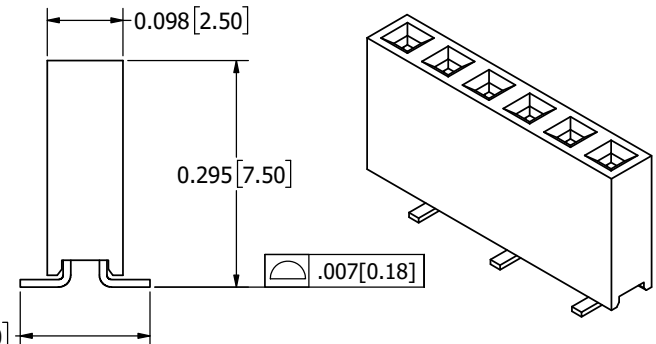
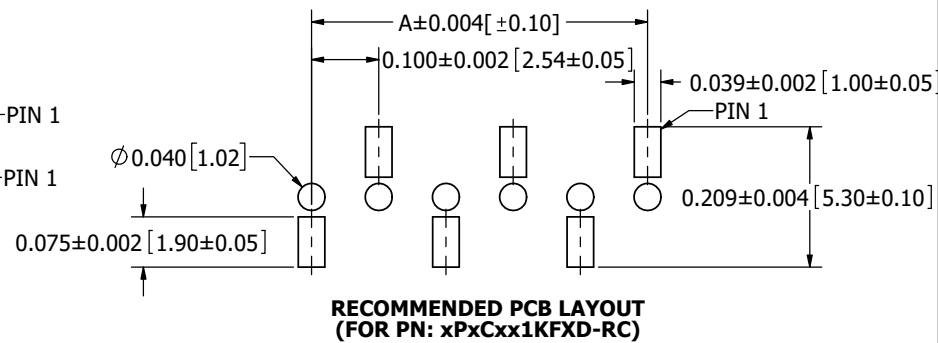
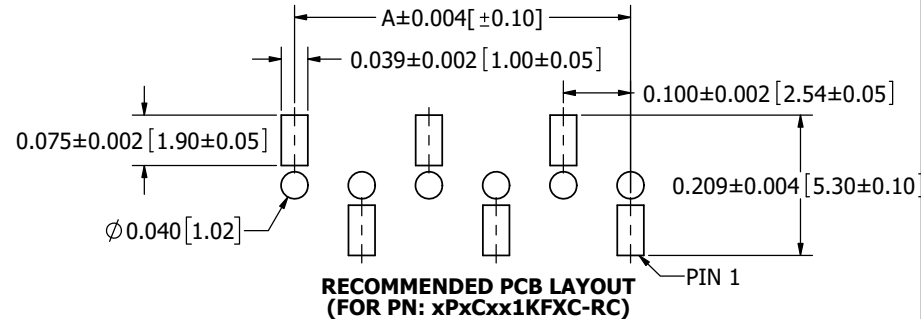
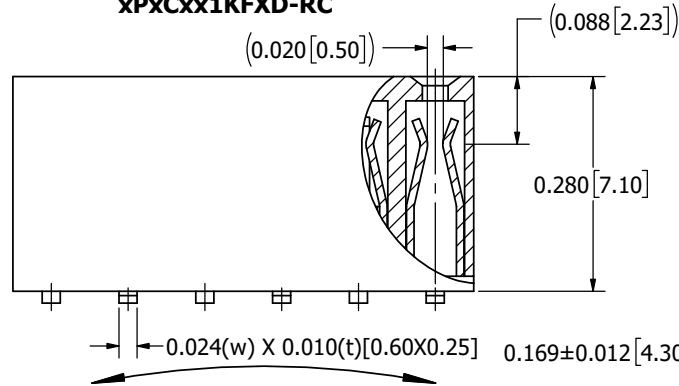
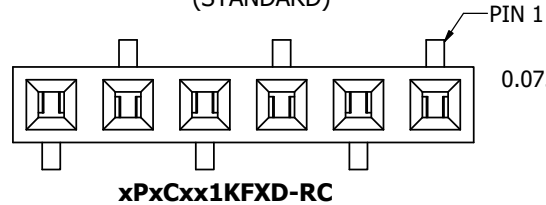
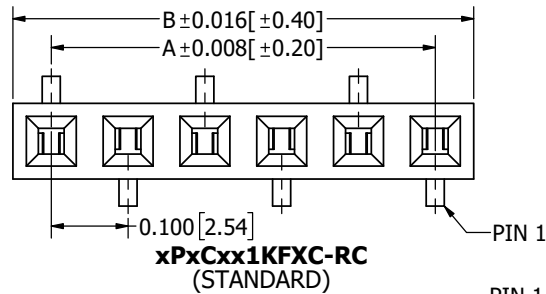
PLATING

(.000030" ~ .000050" NICKEL UNDERPLATED)
 P = GOLD FLASH OVERALL
 T = TIN OVERALL

INSULATOR MATERIAL

N = NYLON 9T
 OPERATING TEMPERATURE: -40° C TO +105° C
 PROCESSING TEMP.: 260° C MAX FOR 10 SECONDS
 L = LCP
 OPERATING TEMPERATURE: -40° C TO +125° C
 PROCESSING TEMP.: 260° C MAX FOR 10 SECONDS

REVISIONS				
REV.	ECO. NO	DESCRIPTION	DATE	BY
J	2829	ADD INSULATOR MATERIAL 'LCP' OPTION	12/10/2014	LH
K	3963	UPDATE GENERAL TOL IN TITLE BOX & NOTE 8, UPGRADE NYLON MTL (FROM 6T TO 9T), ADD WARP TOL	1/3/2019	JH
L	4502	CHANGE PIN 1 LABEL FROM LEFT SIDE TO RIGHT SIDE	5/16/2022	JH



- NOTES:**
- INSULATOR MATERIAL: SEE PART NUMBER CODING, UL 94V-0
 - CONTACT MATERIAL: PHOSPHOR BRONZE
 - CONTACT PLATING: SEE PART NUMBER CODING
 - CURRENT RATING: 3 AMPS
 - VOLTAGE RATING: 250 VAC
 - INSULATOR RESISTANCE: 5000 MEGOHMS MIN
 - CONTACT RESISTANCE: 20 MILLIOHMS MAX
 - DIELECTRIC WITHSTANDING: 1000 VAC
 - OPERATING TEMPERATURE: SEE PART NUMBER CODING
 - MAX PROCESSING TEMP.: SEE PART NUMBER CODING
 - MATES WITH SULLINS .100 [2.54] CONTACT CENTER MALE HEADER SERIES (.025 [0.64] SQUARE POSTS)

02-10, .004 [0.10] MAX.
 11-25, .008 [0.20] MAX.
 26-40, .012 [0.30] MAX.



RoHS COMPLIANT

UNLESS OTHERWISE SPECIFIED:
 DIMENSIONS ARE IN INCHES [MM]

TOLERANCES:

ANGULAR: ± 5°

DECIMALS
 .XX±.012 [3]
 .XXX±.008 [20]
 .XXXX±.0039 [100]

DATE	NAME
12/04/2008	JH

THE INFORMATION HEREIN CONTAINS PROPRIETARY INFORMATION OF SULLINS ELECTRONICS AND IS NOT TO BE REPRODUCED, USED OR DISCLOSED TO OTHERS FOR ANY PURPOSE EXCEPT AS SPECIFICALLY AUTHORIZED IN WRITING BY AN OFFICER OF SULLINS ELECTRONICS.

SULLINS CONNECTOR SOLUTIONS	
DESCRIPTION: HEADER FEMALE, 2.54mm CC, 1 ROW, SMT, T&T	
PART NUMBER: NPxCxx1KFxx-RC	
SIZE: C	REV: L
DWG. NO: 10487	SCALE: 4:1
SHEET 1 OF 1	