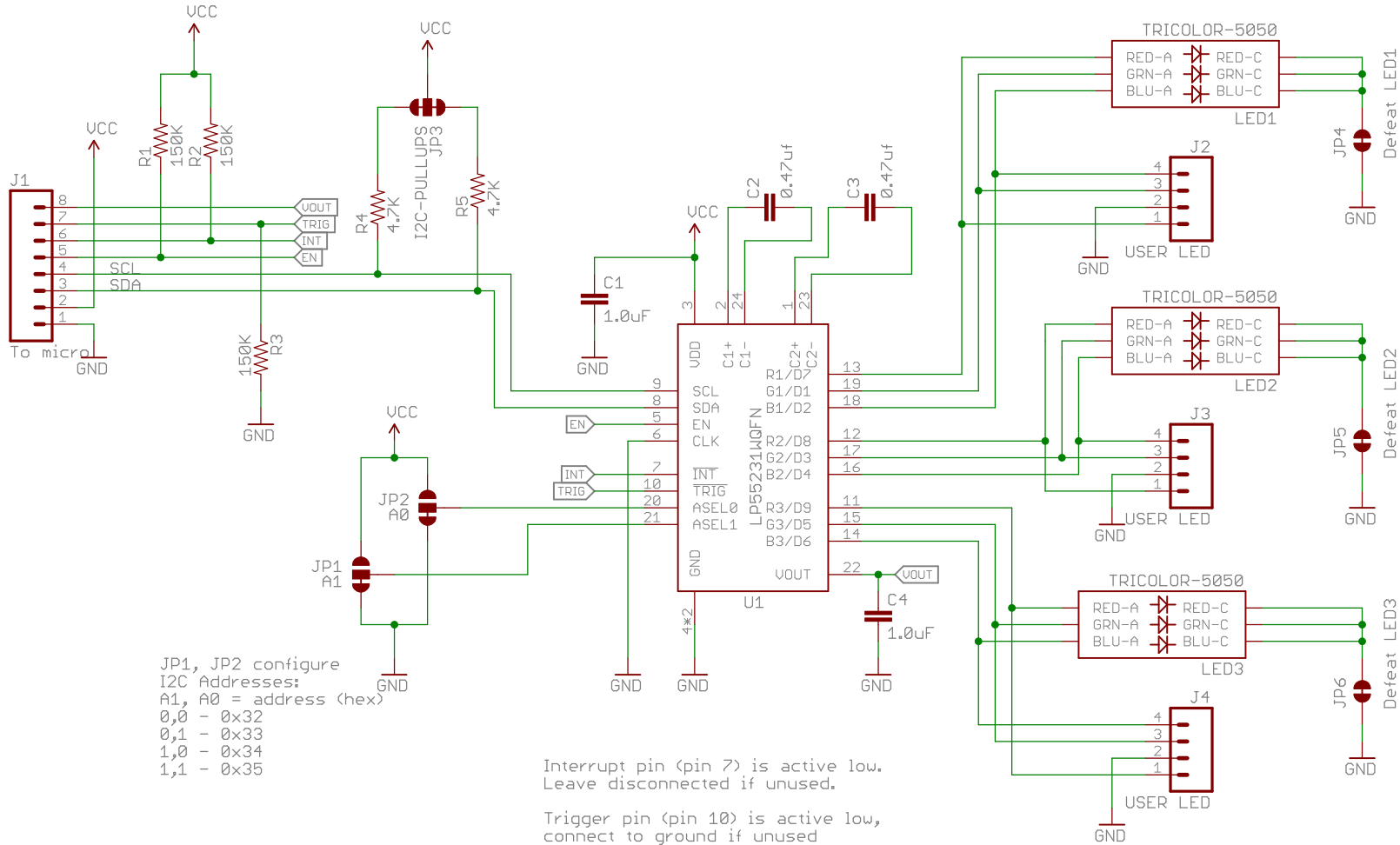


UCC Range from 2.7 to 5.5 UDC

Disconnect JP3 to defeat onboard I2C pullups

J2, J3, J4 are header pads for common cathode PTH RGB LEDs, such as COM-09264 or COM-00105. JP4, JP5, JP6 can be used to disable onboard LEDs when external ones are added



JP1, JP2 configure I2C Addresses:  
 A1, A0 = address (hex)  
 0,0 - 0x32  
 0,1 - 0x33  
 1,0 - 0x34  
 1,1 - 0x35

Interrupt pin (pin 7) is active low. Leave disconnected if unused.  
 Trigger pin (pin 10) is active low, connect to ground if unused



Released under the Creative Commons Attribution Share-Alike 4.0 License <a href="https://creativecommons.org/licenses/by-sa/4.0/">https://creativecommons.org/licenses/by-sa/4.0/</a>	
TITLE: LP55231_breakout	
Design by: Byron Jacquot	REV: V10
Date: 10/6/2016 3:17 PM	Sheet: 1/1