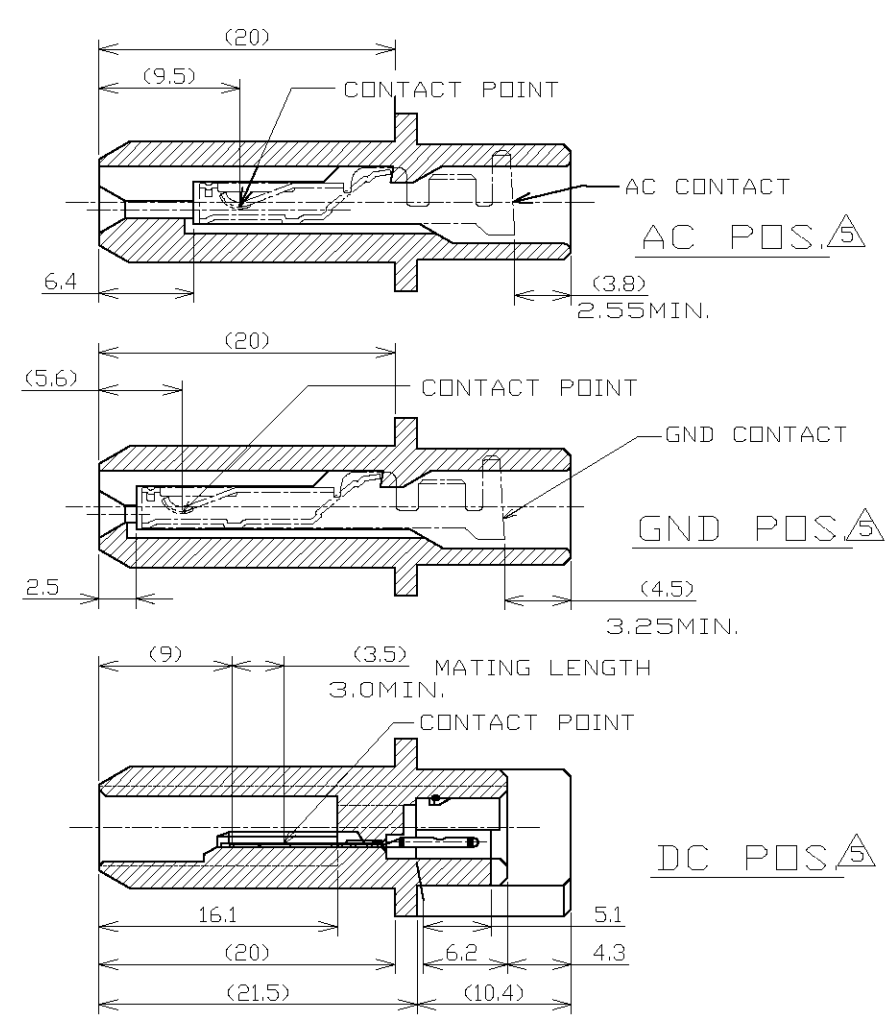
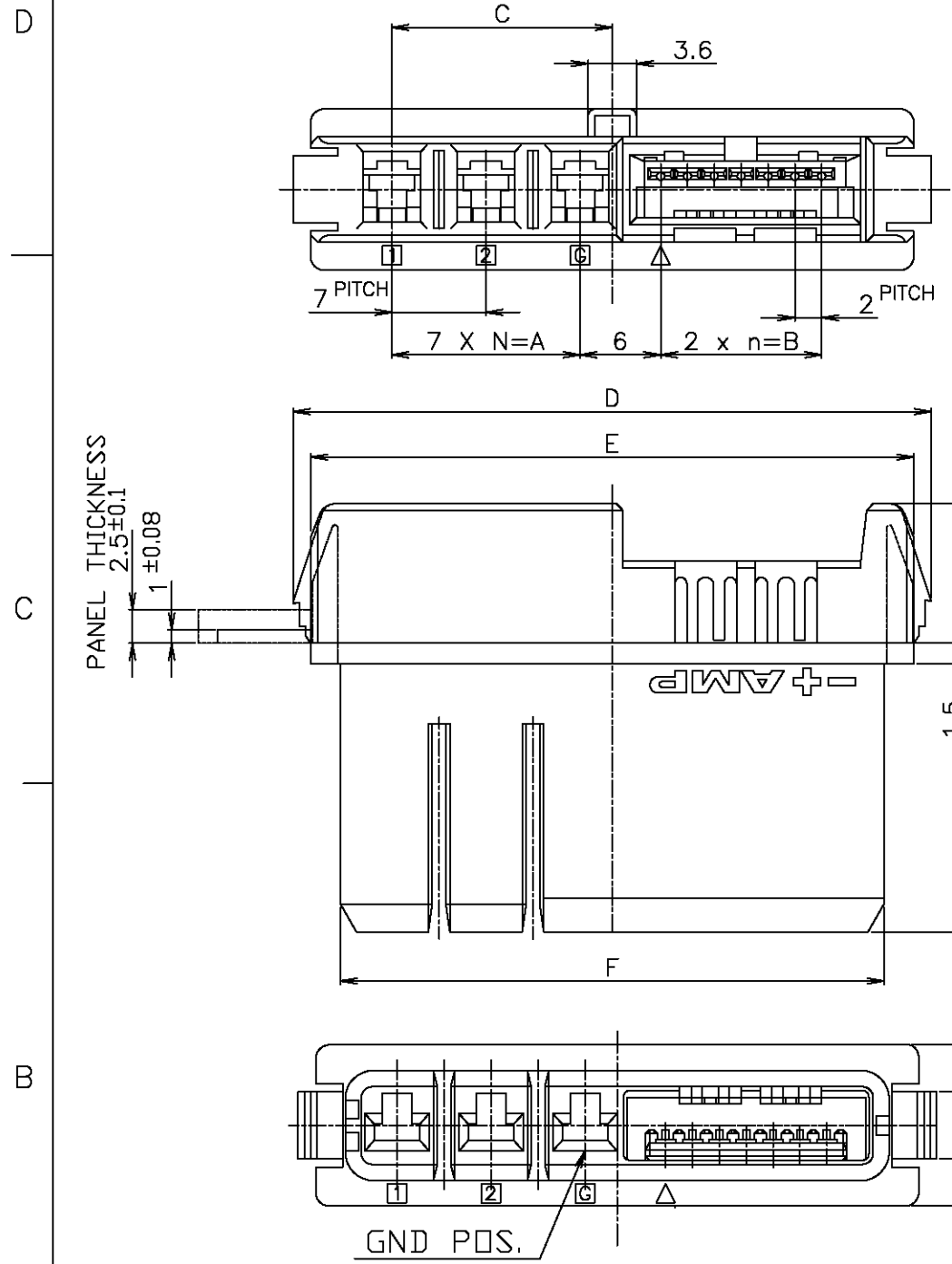


THIS DRAWING IS UNPUBLISHED. RELEASED FOR PUBLICATION
 © COPYRIGHT BY TYCO ELECTRONICS CORPORATION. ALL RIGHTS RESERVED.

LOC	DIST	REVISIONS			
P	LTR	DESCRIPTION	DATE	DWN	APVD
ES	00	B	REVISED FB00-0217-04	16DEC04	H.H I.E



NOTES

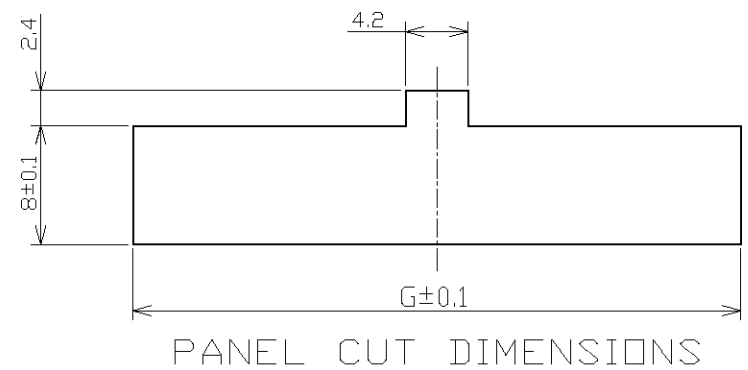
- MATERIAL
 HOUSING: THERMO PLASTIC (BLACK)
 CONTACT: COPPER ALLOY
- CONTACT FINISH
 MATING SIDE: NICKEL PL.
 ALL OVER GOLD PL.
 CT MATING SIDE: NICKEL PL.
 ALL OVER MATTE TIN PL.
- APPLIED AC CONTACT P/N

FINISH	AWG	P/N
TIN PL.	#16~20	1-179316-2
Au PL.	#16~20	179316-4

- APPLIED GND CONTACT P/N

FINISH	AWG	P/N
TIN PL.	#16~20	1-316458-2
Au PL.	#16~20	316458-4

△ AC: POWER CONTACT (UNLOADED)
 GND: GROUND CONTACT (UNLOADED)
 DC: SIGNAL CONTACT (PRELOADED)



MT TYPE: 173977-7 CLIMPII TYPE: 179228-7	2-292189-3	45.1	40.5	44.9	47.5	16.4	12	14	6	2	DC7 GND1 AC2	1-292192-3
APPLIED CT CONN P/N	MATING COUNTER P/N	G	F	E	D	C	B	A	n	N	POS	PART NO.

THIS DRAWING IS A CONTROLLED DOCUMENT.

DWN J.JIANG	05FEB03	Tyco Electronics Corporation Shanghai, P.R.China, 200233
CHK S.YAO	05FEB03	
APVD T.SASAKI	05FEB03	
PRODUCT SPEC 108-60023		
APPLICATION SPEC		NAME HYBRID SF DRAWER CONN. RECEPTACLE ASSEMBLY
MATERIAL	FINISH	WEIGHT
CUSTOMER DRAWING		RESTRICTED TO
SIZE A3	CAGE CODE 00779	DRAWING NO C-292192
SCALE 2:1	SHEET 1	OF 1
REV B		