



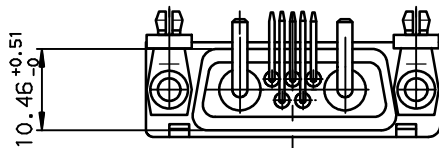
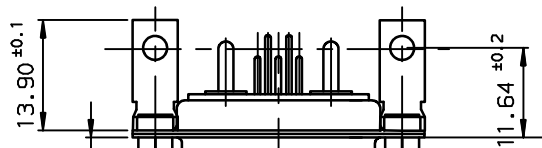
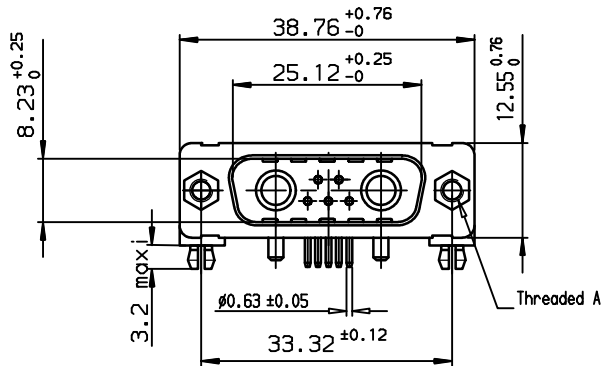
Copyright FCI.

A

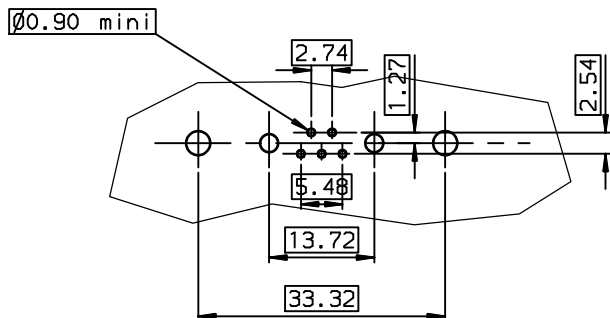
B

C

D

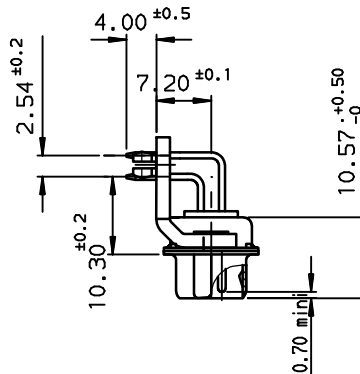


LAYOUT DIMENSIONS (after plating)  
CONNECTOR SIDE VIEW

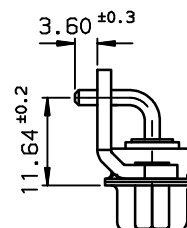


2

VIEW WITHOUT POWERS CONTACTS



VIEW WITH POWERS CONTACTS



TIN LEAD PART NUMBER

DAV7W2P543G30	UNC 4.40
DAI7W2P543G30	M3
DAV7W2P500G30	UNC 4.40
DAI7W2P500G30	M3
PART NUMBER	Threaded A

LEAD FREE PART NUMBER

DAV7W2P543G30LF	UNC 4.40
DAI7W2P543G30LF	M3
DAV7W2P500G30LF	UNC 4.40
DAI7W2P500G30LF	M3
PART NUMBER	Threaded A

GENERAL CHARACTERISTICS AND ROHS INFORMATIONS:  
SEE DRAWING C01-8639-0000

European Views

rev	ecn no	dr	date
C	-	BAR	2003/10/16
D	LS05-001	MPE	2005/03/07
E	LS06-0095	LGO	2006/07/19
-	-	-	-
-	-	-	-
-	-	-	-
-	-	-	-

www.fciconnect.com		surface ISO 1302 ✓	tolerance std ISO 406 ISO 1101	projection mm
TOLERANCES UNLESS OTHERWISE SPECIFIED				
Dr	JARRY	1995/03/03	ANGULAR	size A3
Eng	PESSON	1995/03/03	LINEAR	Scale 1.5
Chr	LEGARE	1995/03/03	0.xx' ±2'	ECN LS06-0095
Appr	LEGARE	1995/03/03	0.xxx ±0.1	Spec ref -
Product family		D-SUB		
title PIN CONNECTOR RIGHT ANGLED WITH POWERS CONTACTS .		part no C01-8639-0449		Rev. E
catalog no		CUSTOMER		sheet 1 of 1

REV F - 2006-04-17

1

2

3

4