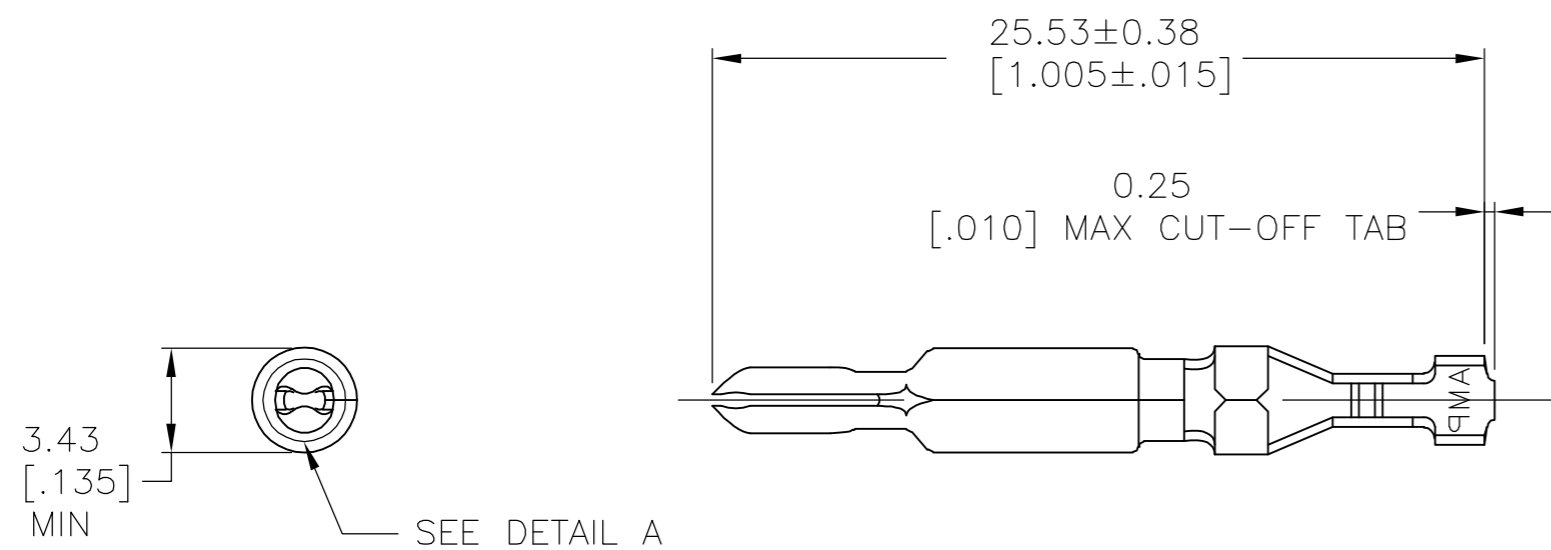
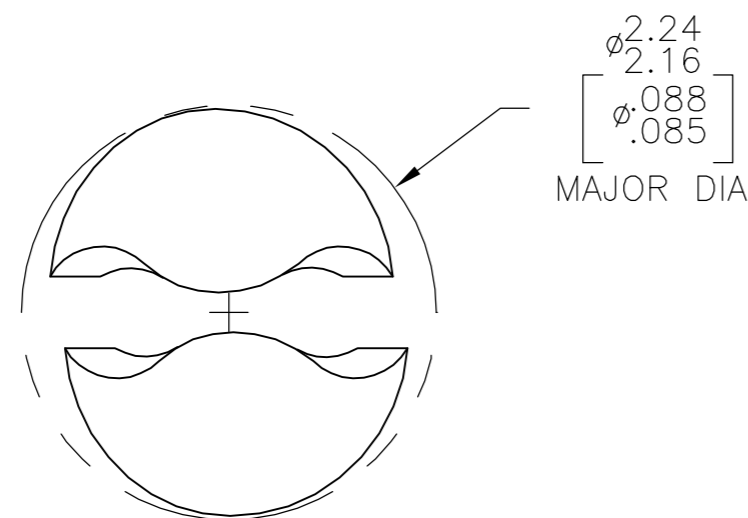
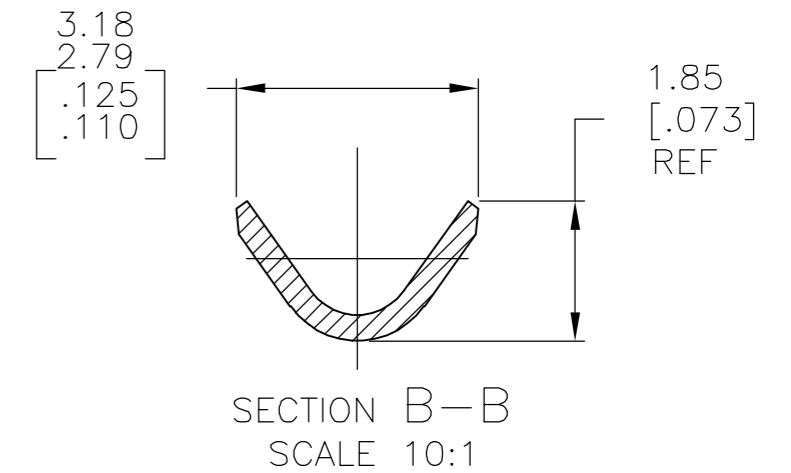
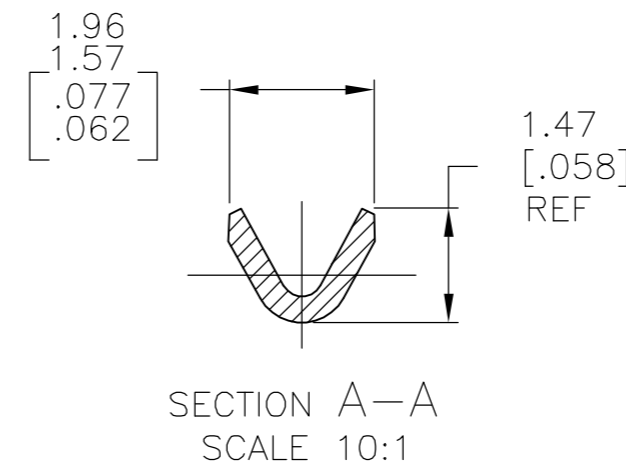
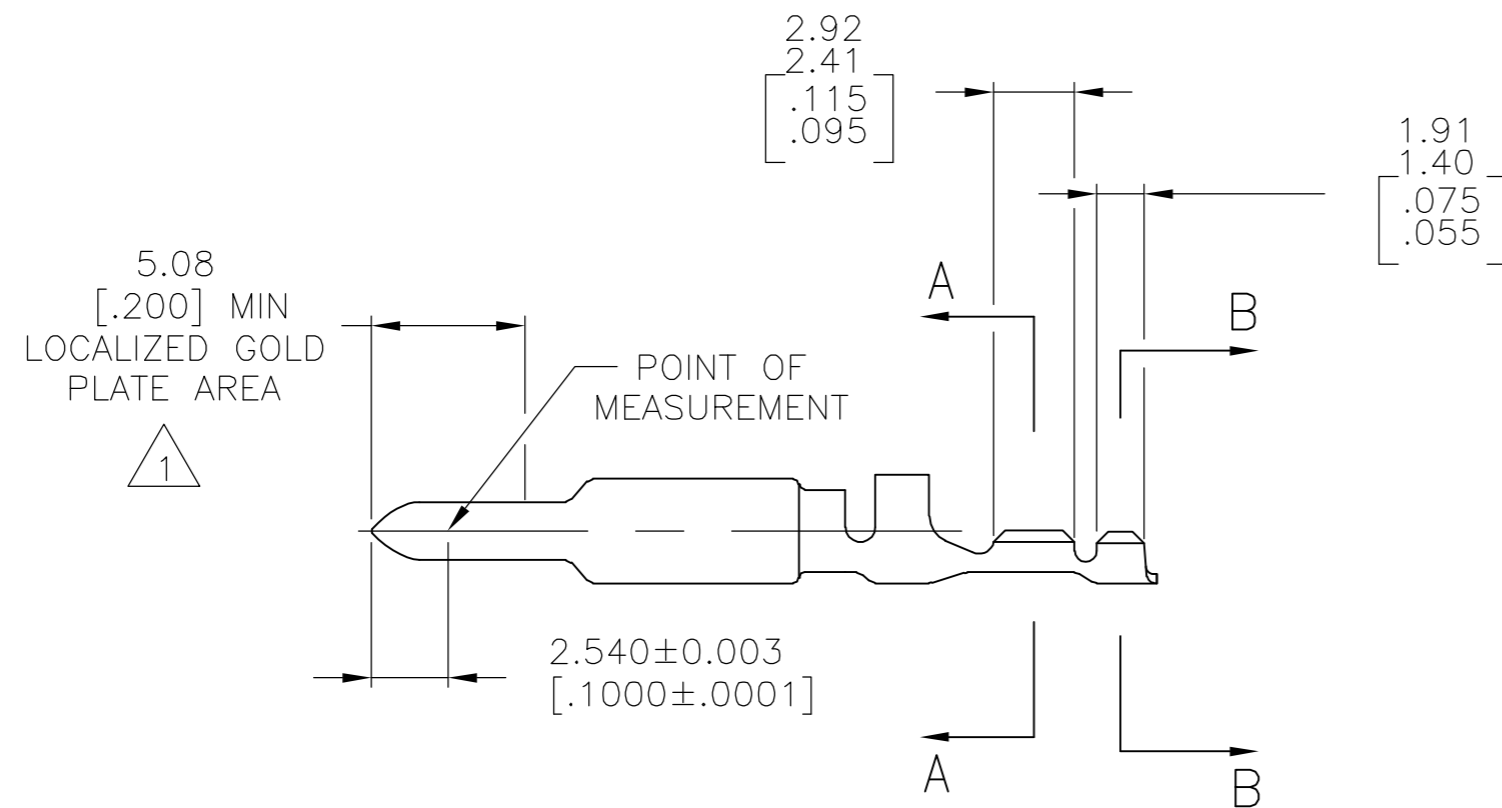


THIS DRAWING IS UNPUBLISHED. RELEASED FOR PUBLICATION
 © COPYRIGHT BY TYCO ELECTRONICS CORPORATION. ALL RIGHTS RESERVED.

LOC	DIST	REVISIONS			
P	LTR	DESCRIPTION	DATE	DWN	APVD
CM	0	B	EC 063B 0215 05	24SEP05	BSV RCJ



1. 0.00076[.000030] MIN GOLD AT POINT OF MEASUREMENT IN THE LOCALIZED GOLD PLATE AREA, AND ON INSIDE OF WIRE BARREL, OVER 0.00127[.000050] NICKEL ON ENTIRE CONTACT.
2. WIRE RANGE: 0.05–0.15mm² [30–26] AWG. INSULATION RANGE: 0.81–1.45 [.032–.057].
3. DIMENSIONS IN BRACKETS ARE IN INCHES.



GOLD \triangle 1	0.30 [.012] PH BRZ	770512-6
FINISH	MATERIAL	PART NO.

THIS DRAWING IS A CONTROLLED DOCUMENT.		DWN K. WHITAKER 24FEB89	Tyco Electronics Corporation Harrisburg, PA 17105-3608	
DIMENSIONS: mm [INCHES]		CHK R. SWING 24FEB89	NAME D. KLEIN 24FEB89	
TOLERANCES UNLESS OTHERWISE SPECIFIED:		APVD D. KLEIN 24FEB89	PRODUCT SPEC	
0 PLC ± -		APPLICATION SPEC		
1 PLC ± -		WEIGHT -		
2 PLC ± -		SIZE A2		
3 PLC ± -		CAGE CODE 00779		
4 PLC ± -		DRAWING NO C=770512		
ANGLES ± -		RESTRICTED TO -		
FINISH SEE TABLE		SCALE 4:1		
MATERIAL SEE TABLE		SHEET 1 of 1		
CUSTOMER DRAWING		REV B		

METRIC