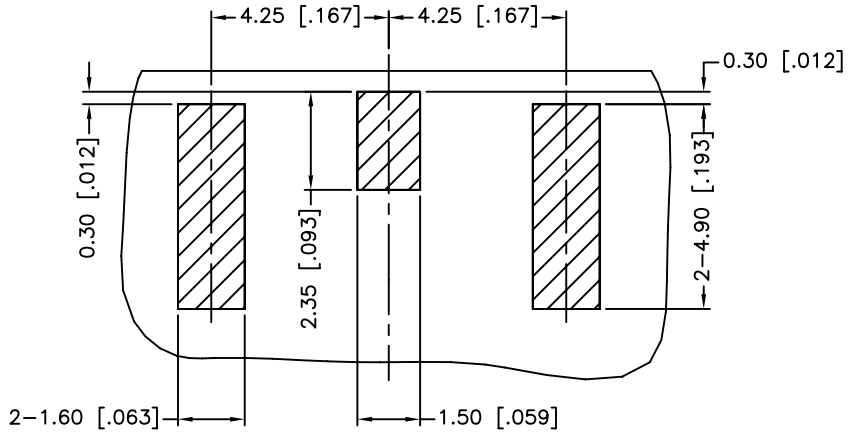
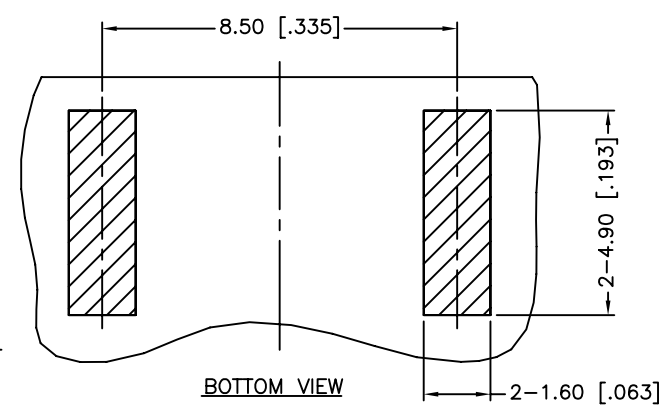


| REV. | DATE | ECR NO. | DESCRIPTION |
|------|----------|---------|-----------------|
| NC | 01/31/12 | XXXXXX | INITIAL RELEASE |

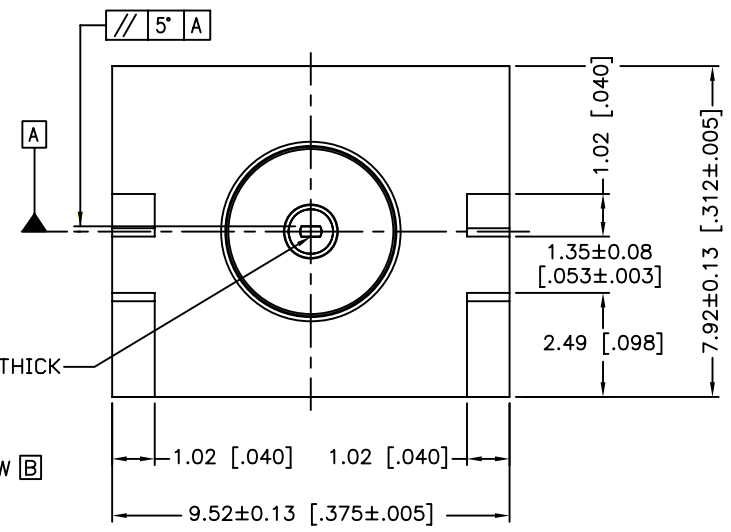
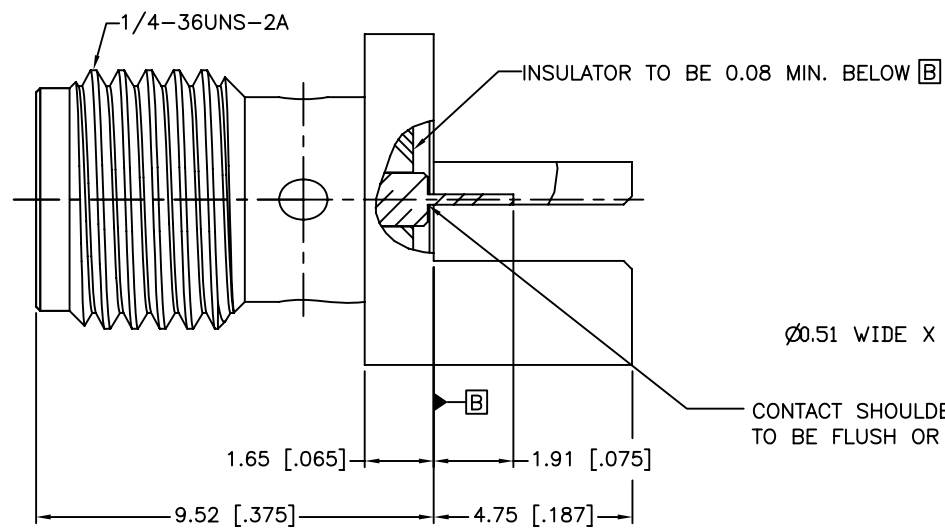
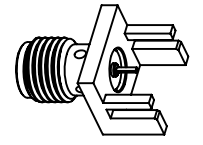


TOP VIEW

RECOMMENDED PCB LAYOUT



BOTTOM VIEW



1. IMPEDANCE: 50 OHM
2. FREQUENCY RANGE: DC 0-18 GHZ
3. VSWR: NOT APPLICABLE
4. DIELECTRIC WITHSTANDING VOLTAGE: 1000 VRMS, MIN.
5. BOARD THICKNESS=1.19 MM [.047"]
6. CONTACT PIN MUST WITHSTAND 6 LBS MIN. AXIAL IN BOTH DIRECTIONS AND 4 IN-OZ MIN. RADIAL FORCE.

UNLESS OTHERWISE SPECIFIED DIMENSIONS ARE IN MILLIMETERS. DIMENSIONS IN [] ARE IN INCHES AND FOR CUSTOMER REFERENCE ONLY.

UNLESS OTHERWISE SPECIFIED TOLERANCES FOR MILLIMETERS ARE:
0.5 - 8mm ± 0.20mm
8 - 30mm ± 0.40mm
30 - 120mm ± 0.50mm

UNLESS OTHERWISE SPECIFIED TOLERANCES FOR INCHES ARE:
.020 - .315 = ± 0.007"
.315 - 1.180 = ± 0.015"
1.180 - 4.724 = ± 0.020"

DO NOT SCALE DRAWING

| | |
|---------------|----------------------|
| APPROVALS | DATE |
| DRAWN M.ZHANG | 01/31/12 |
| CHECKED | |
| ISSUED | |
| SHEET 1 OF 1 | |
| CAD FILE | C:/CONNEX/132430.DWG |

Amphenol Connex

| | | | |
|---|------------|-------|----|
| PART DESCRIPTION | | | |
| SMA END LAUNCH RECEPT. JACK, FLUSH FLANGE FLAT-TAB CONTACT(.047" BOARD THICKNESS) | | | |
| PART NO. 132430 | | | |
| DWG. NO. | 132430.DWG | REV. | NC |
| SIZE | A | SCALE | NA |

| QTY | FINISH | MATERIAL | DESCRIPTION |
|-----|---------|-------------|-------------|
| 1 | GOLD | BER. COPPER | CONTACT PIN |
| 1 | NATURAL | PTFE | INSULATOR |
| 1 | GOLD | BRASS | BODY |