

RECOMMENDED LAND PATTERN DIMENSION OF PCB

NOTES

- 10 HATCHED PARTS: GROUND CIRCUIT.
- 2 HATCHED PARTS: GROUND CIRCUIT.
- SMT LEAD-COPLANARITY: 0.1 MAX.
- THIS PRODUCT HAS NO POLARITY TO PATTERN FOR MOUNTING.
- MAKE SURE WIDTH OF PATTERN IS WITHIN THAT OF LAND, OR LEAD MAY TOUCH PATTERN. (THIS APPLIES TO HATCHED AREA.)
- EMBOSS CARRIER TAPE PACKAGE IS APPLIED ON THIS PRODUCT. PLEASE REFER TO THE SHEET 2/2 FOR THE DETAILS.
- THE DIMENSIONS IN PARENTHESES ARE FOR REFERENCE.

2	PHOSPHOR BRONZE	TIN-PLATING	CONTACT AREA : GOLD 0.1μm min.
1	LCP	BEIGE UL94V-0	LEAD AREA : TIN 1μm min.
NO.	MATERIAL	FINISH, REMARKS	UNDER PLATING : NICKEL 1μm min.
4	PHOSPHOR BRONZE	TIN-PLATING	FINISH, REMARKS
3	PHOSPHOR BRONZE		

DRAWN	DESIGNED	CHECKED	APPROVED	RELEASED
H. Doi	H. Doi	K. Ogawa	H. Okawa	
'05-09-02	'05-09-02	'05-09-02	'05-01-02	

PART NO. FX10A-100P/10-SV1(91)

DRAWING NO. EDC3-151961-21

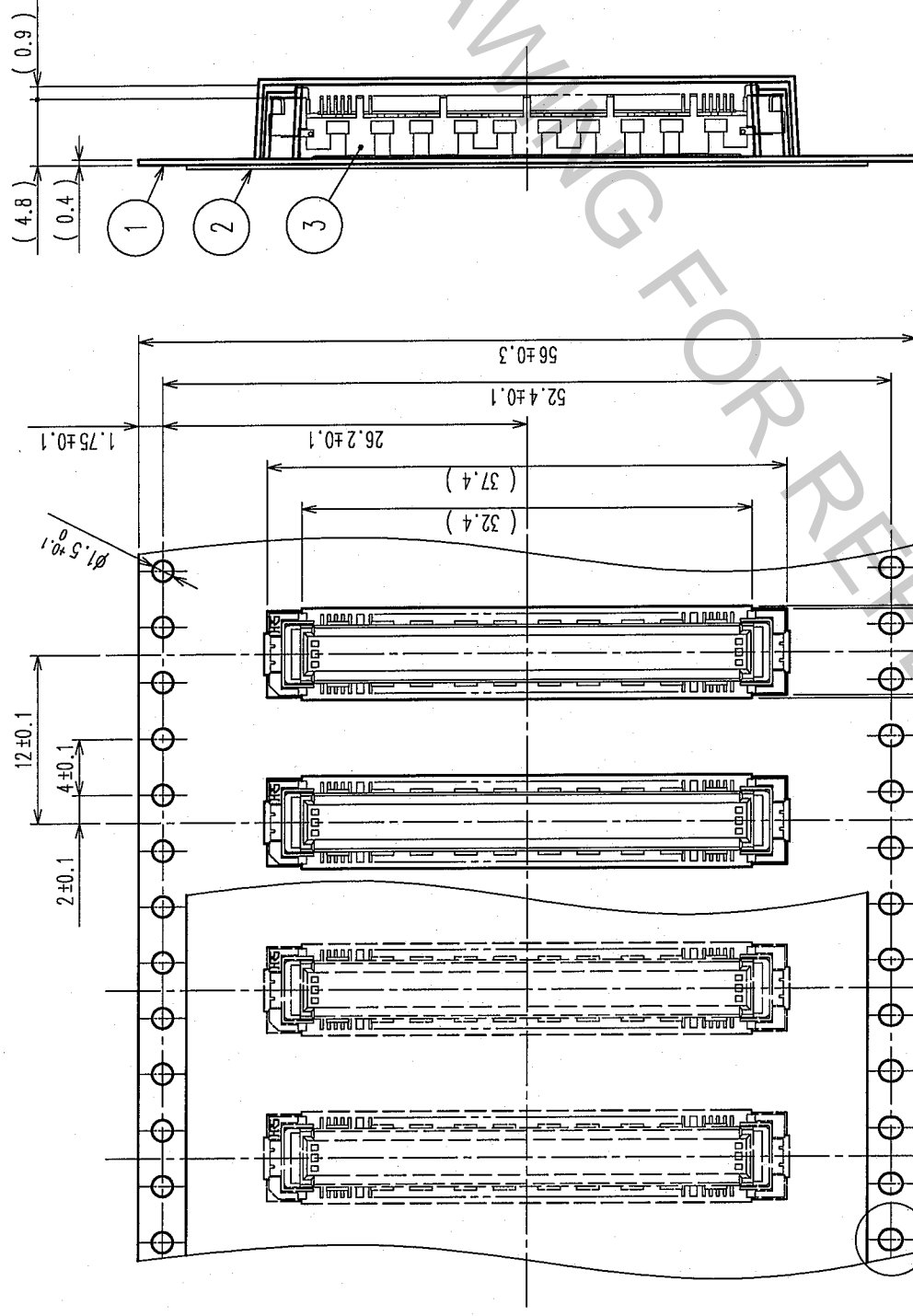
SCALE 4 : 1

UNITS (mm)

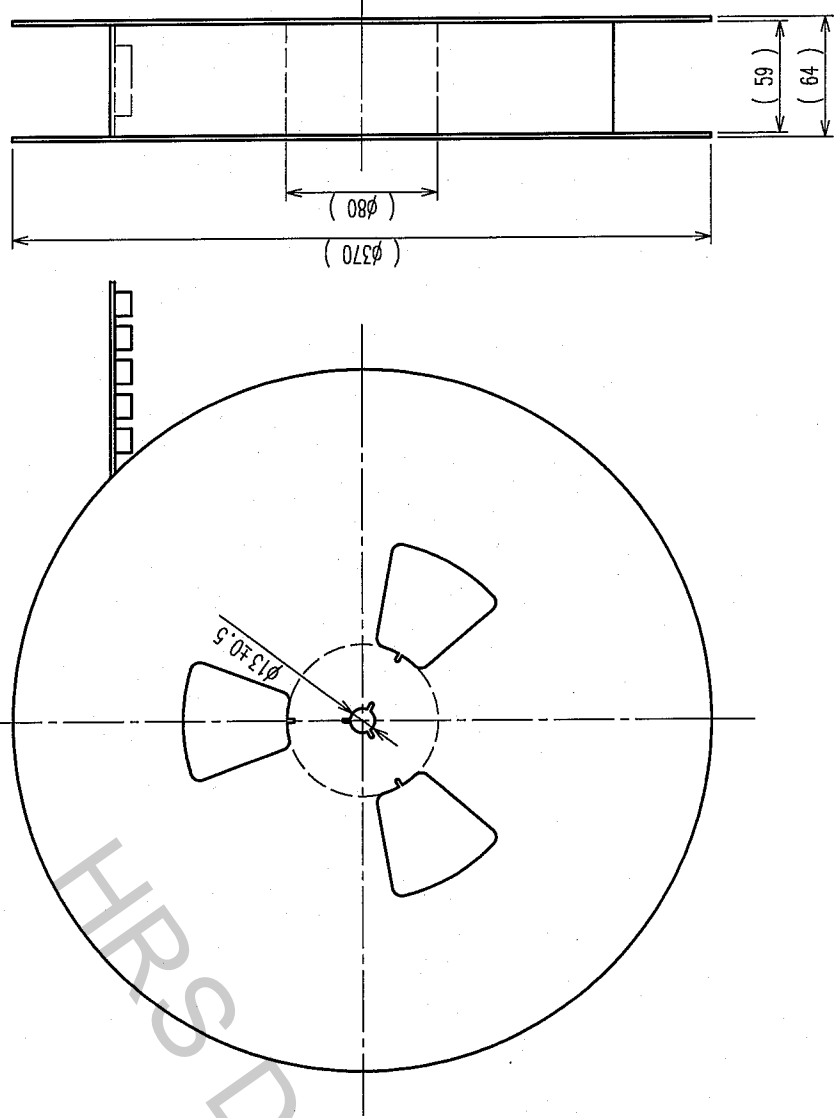
HIROSE ELECTRIC CO., LTD

CL570-0102-2-91

COUNT	DESCRIPTION OF REVISIONS	BY	CHKD	DATE	COUNT	DESCRIPTION OF REVISIONS	BY	CHKD	DATE
△					△				
△					△				
△					△				

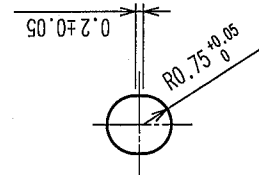


REELED DIMENSION(Free)



THE DIRECTION OF PULLING OUT

A(5:1)



- NOTES
- 1 REEL:1000 CONNECTORS.
 - 2 MINIMUM 10 COMPARTMENTS FROM BOTH REEL ENDS REMAIN EMPTY.
 - 3 THIS PRODUCT HAS NO POLARITY TO TAPE AND REEL PACKAGING.
 - 4 THE DIMENSIONS IN PARENTHESES ARE FOR REFERENCE.

POLYESTER		TOP COVER TAPE		(CONNECTOR)	
1 POLYSTYRENE		EMBOSSED CARRIER TAPE		3	
NO.	MATERIAL	FINISH, REMARKS	NO.	MATERIAL	FINISH, REMARKS
CODE NO. (OLD)	CL		DRAWN	DESIGNED	CHECKED
			Ad. Doi	Ad. Doi	K. Ogawa
			05-09-02	05-09-02	05-09-02
DRAWING FOR PACKING		DRAWING NO.		PART NO.	
		EDC3-151961-21		FX10A-100P/10-SV1(91)	
SCALE		2 : 1		CODE NO.	
UNITS		MM		CL570-0102-2-91	
				2	

TO	
PCK	