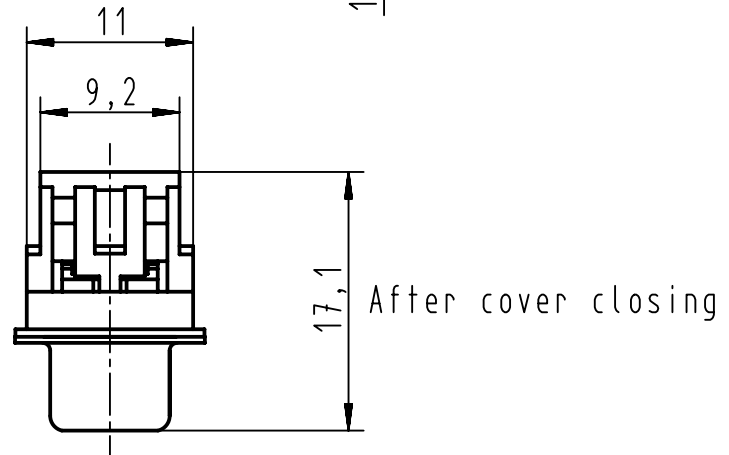
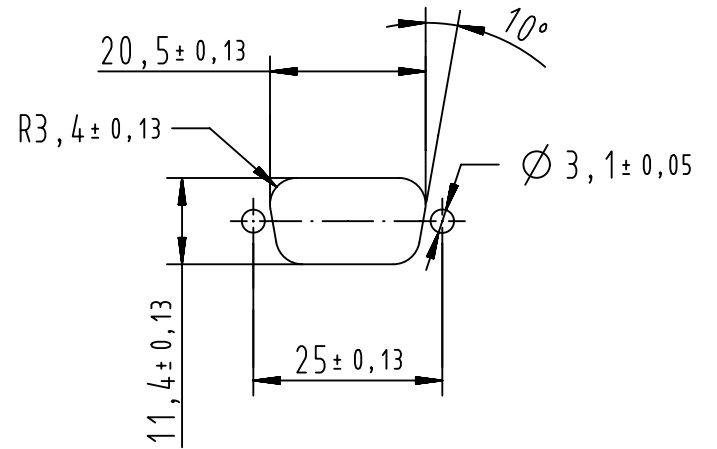


Recommended panel cutout dimensions  
for rear mounting  
According to CECC 75 301-802



After cover closing

All Dimensions in mm Original Size DIN A4		Scale 2:1	Free size tol.		Ref.
All rights reserved Department EC PD - FR		Created by DOUGE	Inspected by BAGDIKIAN	Standardisation HOFFMANN	Sub.
HARTING Electronics GmbH D-32339 Espelkamp		Title D-Sub IDC 9P female straight			Date 2013-04-23
Part number Performance level		Type TB      Number 0966118X500			State Final Release
09661187500      PL3		Doc-Key / ECM-Nr. 100527141/UGD/001/A 530000088839			Rev. A      Page 1/1
09661186500      PL2					