



- 10/100 Base T for LAN, WAN and other Ethernet applications
- Meets IEEE 802.3af specification
- For PoE applications
- Standard Operating Temp: 0°C +70°C



Electrical Specifications @ 25°C

OCL(μH Min) @100KHz, 0.1V	Turns Ratio (±3%)		Return Loss (dB Min)			
With 8mA DC Bias	(P1-P2) : (J1-J2)	(P4-P5) : (J3-J6)	0.5-30MHz	40MHz	50MHz	60-80MHz
350	1 : 1	1 : 1	-18	-15.5	-13.6	-12

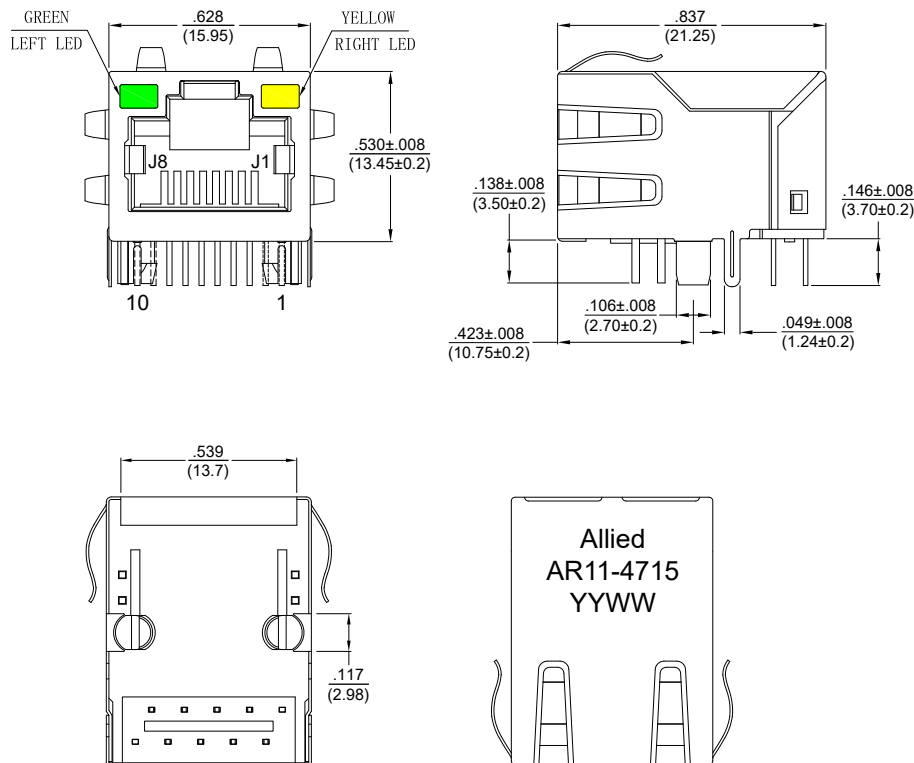
Electrical Specifications @ 25°C

Insertion Loss (dB Max)	Cross Talk (dB Typ)	Common Mode Rejection (dB Typ)			Hi-Pot
0.1-100MHz	0.1-100MHz	0.1-30MHz	30-60MHz	60-100MHz	
-1.1	-40	-50	-40	-35	1500Vrms

All specifications subject to change without notice.

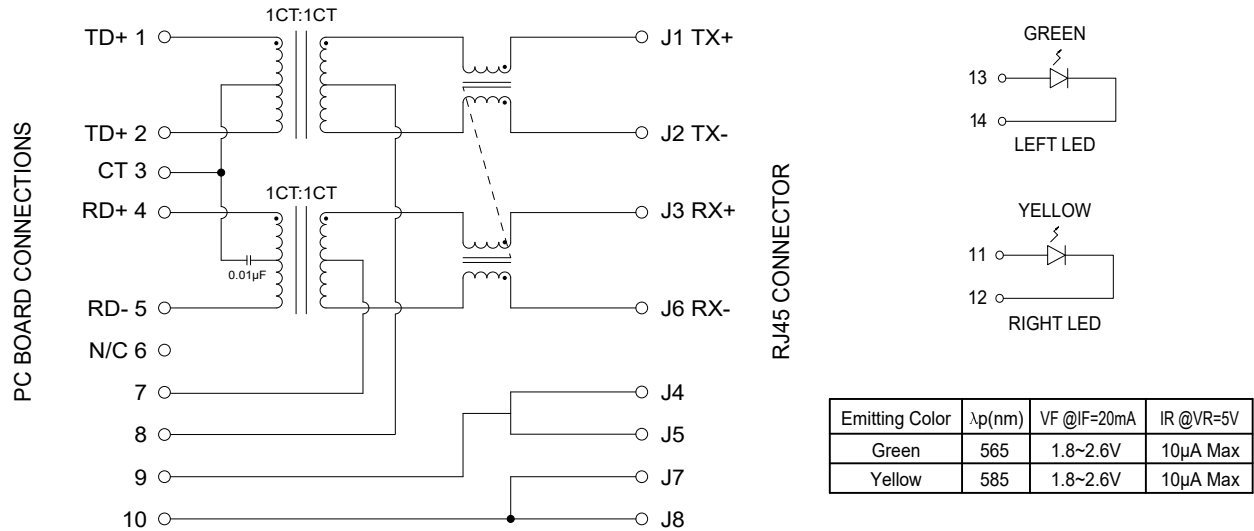
MECHANICAL

Dimensions: inch
(mm)



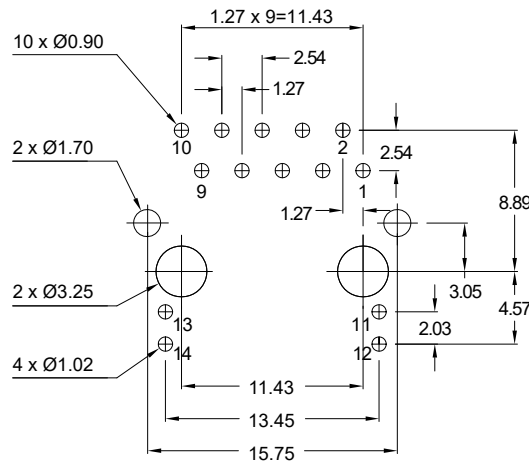


SCHEMATIC



PCB LAYOUT

Dimensions: mm



NOTES

- Connector Materials:
 Housing: Thermoplastic PBT+30% G.F. UL94V-0
 Contact: Phosphor Bronze C5210R-EH Thickness = 0.35mm
 Pins: Brass C2680R-H Thickness = 0.35mm
 Shield: SUS 201-1/2H Thickness = 0.20mm
 Contact Plating: Gold 6µ" min. in contact area
- Wave solder tip temperature: 250°C, 5 sec.