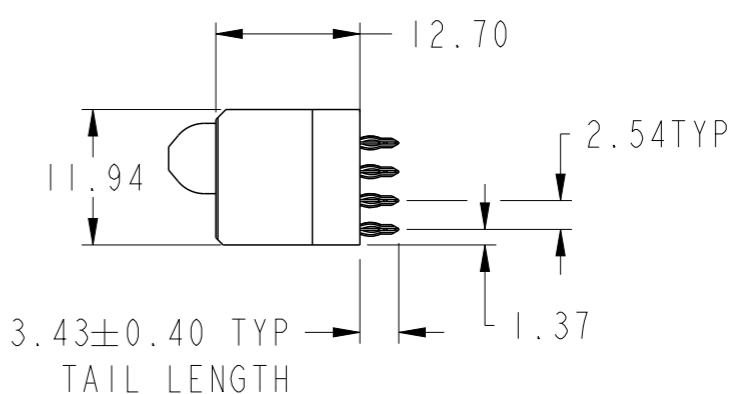
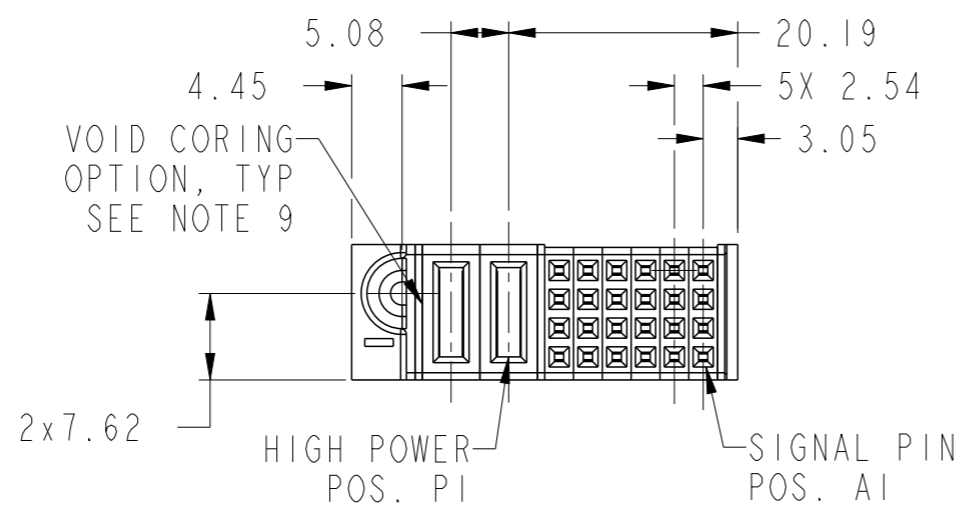
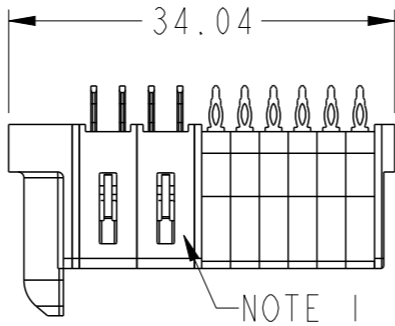
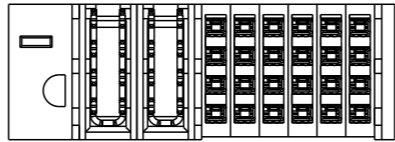


PRODUCT NUMBER SEE SHEET 2

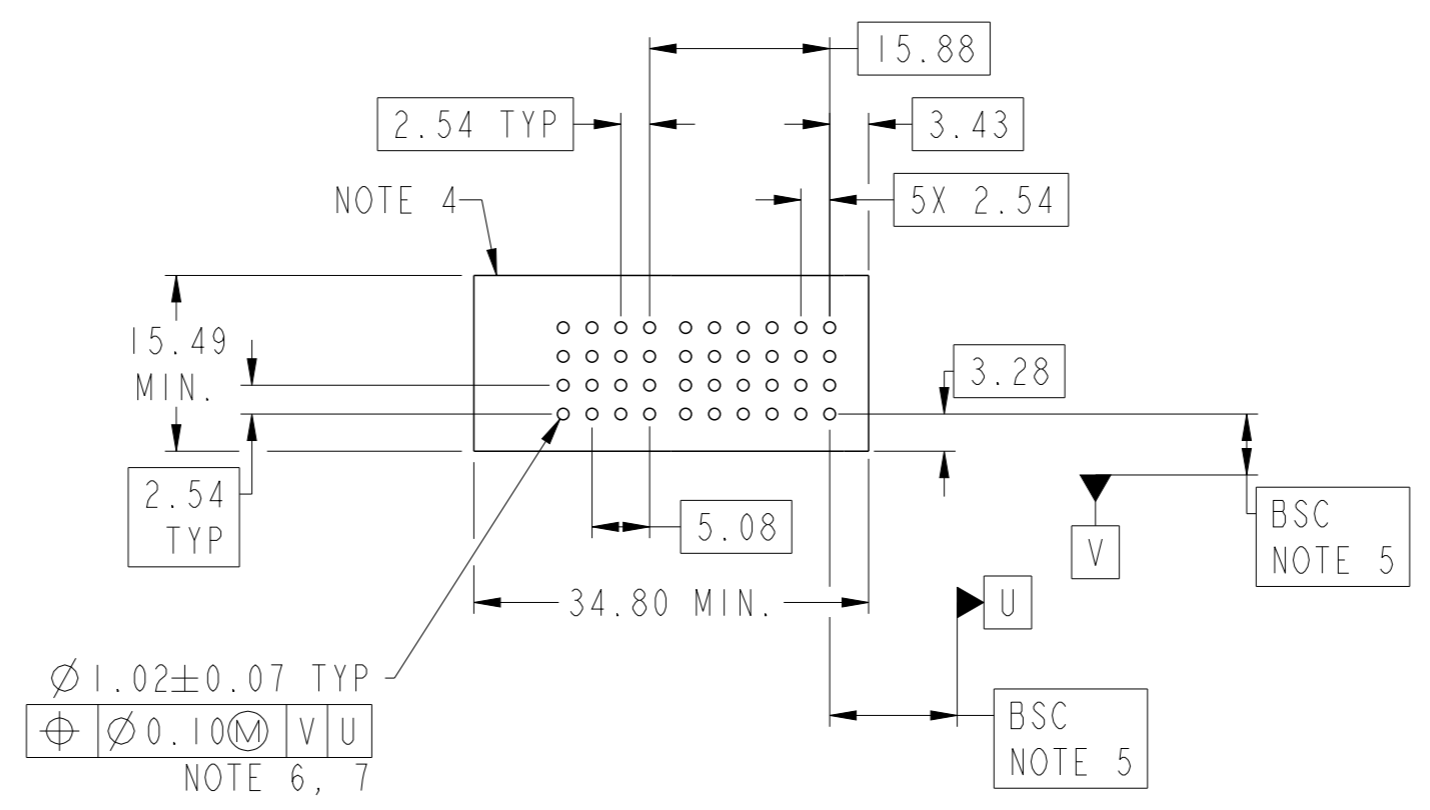


Copyright FCI. FCI

spec ref		dr	Peng-Bing Fu	2012/07/25	projection	MM	size	A3	scale	3:2	
tolerance std		eng	Xie Bob	2013/05/20			ecn no		-		
ASME Y14.5		TOLERANCES UNLESS OTHERWISE SPECIFIED		chr			-	rel level		Released	
surface		linear	0.X	±0.50		24S + 2HDP VT PF RECEPTACLE	dwg no	10106269-2006003		rev	A
			0.XX	±0.25				Product - Customer Drw			
			0.XXX	±0.10				sheet 1 of 3			
ASME Y14.5		angular	0°	±2°	www.fci.com	cat. no.	Product - Customer Drw		sheet 1 of 3		

PRODUCT NO.	ROWS	HP			SIGNAL						E2
		E1	P2	P1	6	5	4	3	2	1	
10106269-2006003LF	DCBA		HD	HG	F	F	F	F	F	F	F
					F	F	F	F	F	F	
					F	F	F	F	F	F	
					F	F	F	F	F	F	

CODE	DESCRIPTION
F	STD SIGNAL CONTACT
HD	MFBL HIGH POWER CONTACT (3.43)
HG	STD HIGH POWER CONTACT (3.43)



$\varnothing 1.02 \pm 0.07$ TYP
 $\varnothing 0.10$ (M) V U
 NOTE 6, 7



Copyright FCI.

dr	Peng-Bing Fu	2012/07/25	projection	MM	size	A3	scale	3:2
eng	Xie Bob	2013/05/20		← →	ecn no	-	rel level	Released
chr	-	-						
appr	Pei-Ming Zheng	2013/05/20	product family	PowerBlade+				
			24S + 2HDP VT PF RECEPTACLE		dwg no 10106269-2006003	rev A		
www.fci.com			cat. no.		Product - Customer Drw		sheet 2 of 3	

A

B

C

D

A

B

C

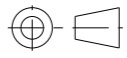
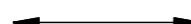

D

NOTES:

- 1) "FCI", PART NUMBER AND DATE CODE TO BE MARKED ON THIS SURFACE.
THE MARK CAN BE OMITTED IF THERE IS NOT ENOUGH SPACE ON THIS SURFACE.
- 2) MATERIALS:
-HOUSING - GLASS FILLED WITH HIGH TEMP THERMOPLASTIC, UL94V-0.
-SIGNAL CONTACT - COPPER ALLOY.
-POWER CONTACT - HIGH CONDUCTIVITY COPPER ALLOY.
- 3) PLATING SPECIFICATION REFER TO FCI 10116351
- 4) DENOTES CONNECTOR KEEP OUT ZONE.
- 5) DATUM AND BASIC DIMENSIONS WERE ESTABLISHED BY CUSTOMER.
- 6) ALL HOLE DIAMETERS ARE FINISHED HOLE SIZES.
- 7) 1.15 ± 0.025MM DRILLED HOLE PLATED WITH 0.00762MM MIN Sn
OVER 0.0254-0.0762MM Cu PLATING TO ACHIEVE A 1.02 ± 0.07MM HOLE.
- 8) PRODUCT SPECIFICATION REFER TO FCI GS-12-658.
APPLICATION SPECIFICATION REFER TO FCI GS-20-141.
PRODUCT PACKAGED IN TRAYS, REFER TO FCI GS-14-1502.
- 9) THE VOID CORING IN BETWEEN POWER MODULES, SIGNAL
MODULES AND END MODULES ARE OPTIONAL AND THE SHAPE
MAY BE DIFFERENT FOR OPTIMIZE THE MOLDING PROCESS. THE
VOID CORING WILL NOT EFFECT TO PRODUCT FUNCTION.



Copyright FCI.

dr	Peng-Bing Fu	2012/07/25	projection 	MM 	size	A3	scale	1:1
eng	Xie Bob	2013/05/20			ecn no	-		
chr	-	-			rel level	Released		
appr	Pei-Ming Zheng	2013/05/20	product family	PowerBlade+				
		title 24S + 2HDP VT PF RECEPTACLE		dwg no 10106269-2006003	rev A			
www.fci.com		cat. no.	Product - Customer Drw		sheet 3 of 3			