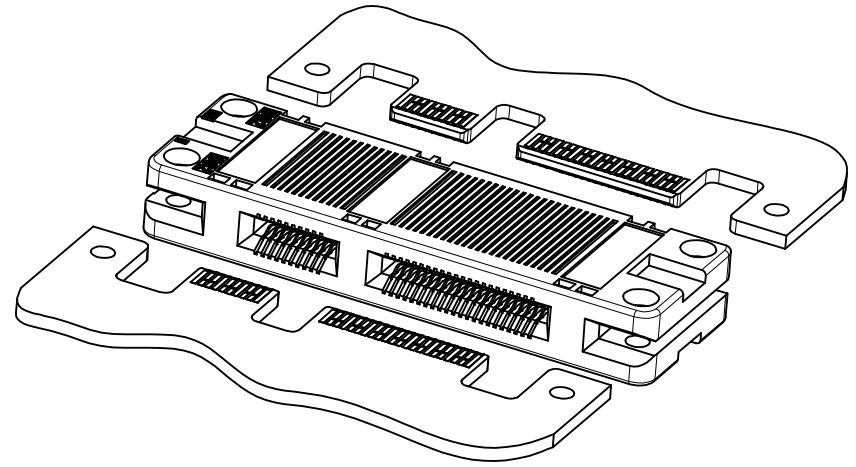
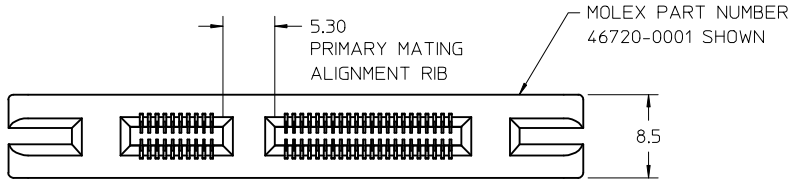
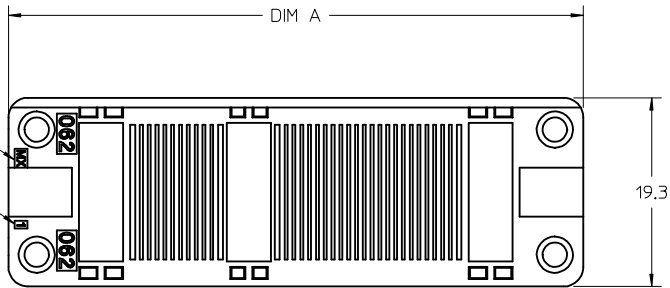
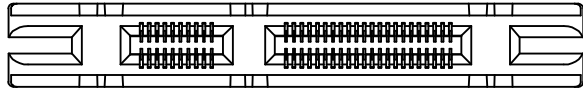
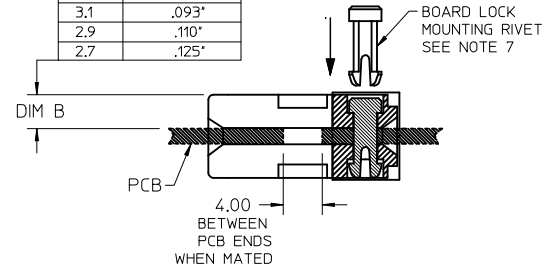


10 9 8 7 6 5 4 3 2 1



| DIM B | PCB THK (in) |
|-------|--------------|
| 3.5   | .062"        |
| 3.1   | .093"        |
| 2.9   | .110"        |
| 2.7   | .125"        |



NOTES:

- MATERIAL:  
HOUSING: LCP, UL94V-0, BLACK  
TERMINAL: BRASS
- FINISH: SELECT GOLD: 0.76µm MIN, OVERALL NICKEL: 3.80 µm MIN
- ALL DIMENSIONS ARE FOR REFERENCE ONLY UNLESS OTHERWISE SPECIFIED.
- PRODUCT SPECIFICATION: PS-46720-001
- PACKAGING SPECIFICATION: PK-46720-001
- SPLIT PAD LAYOUT SHOWN FOR REFERENCE ONLY. CUSTOMER CAN DESIGNATE GROUND AND SIGNAL PAD LAYOUT BASED ON INTERNAL REQUIREMENTS. CUSTOMER SHOULD SEE MOLEX DOCUMENT # AS-46720-002 FOR RECOMMENDATIONS.
- OPTIONAL BOARD LOCK MOUNTING RIVET AVAILABLE. MOLEX PART NUMBER 46720-7710. MOLEX RIVET REMOVAL TOOL NUMBER 638123502. SEE SD-46720-7710 FOR RIVET SALES DRAWING.

PCB FOOTPRINT UPDATED  
EC NO: SZ2015-1374  
DRAWN: WHL LONG 2015/05/25  
CHKD: LG TAN 2015/06/03  
APPR: SHILENI 2015/06/03

QUALITY SYMBOLS  
▽=0  
▽=0  
▽=0  
▽=1

| GENERAL TOLERANCES (UNLESS SPECIFIED) |         |
|---------------------------------------|---------|
| mm                                    | INCH    |
| 4 PLACES ± .005                       | ± .0004 |
| 3 PLACES ± .005                       | ± .0004 |
| 2 PLACES ± .005                       | ± .0004 |
| 1 PLACE ± .005                        | ± .0004 |
| ANGULAR ± 1/2°                        |         |

DRAFT WHERE APPLICABLE MUST REMAIN WITHIN DIMENSIONS

DIMENSION STYLE  
MM ONLY

DRAWN BY: TGREGORI DATE: 2010/03/24  
CHECKED BY: DATE:

APPROVED BY: JCOMERCI DATE: 2010/04/12

MATERIAL NO. SEE SHEET 7

SIZE B

SCALE: 2:1  
DESIGN UNITS: METRIC  
THIRD ANGLE PROJECTION

TITLE: ASSEMBLY EDGELINE COEDGE CONNECTOR, 100 OHM

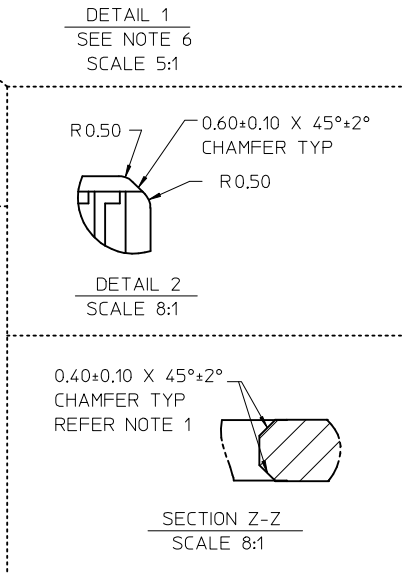
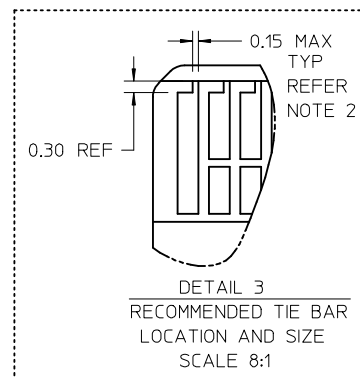
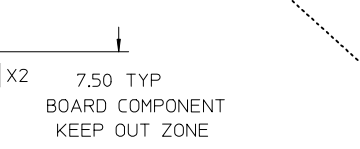
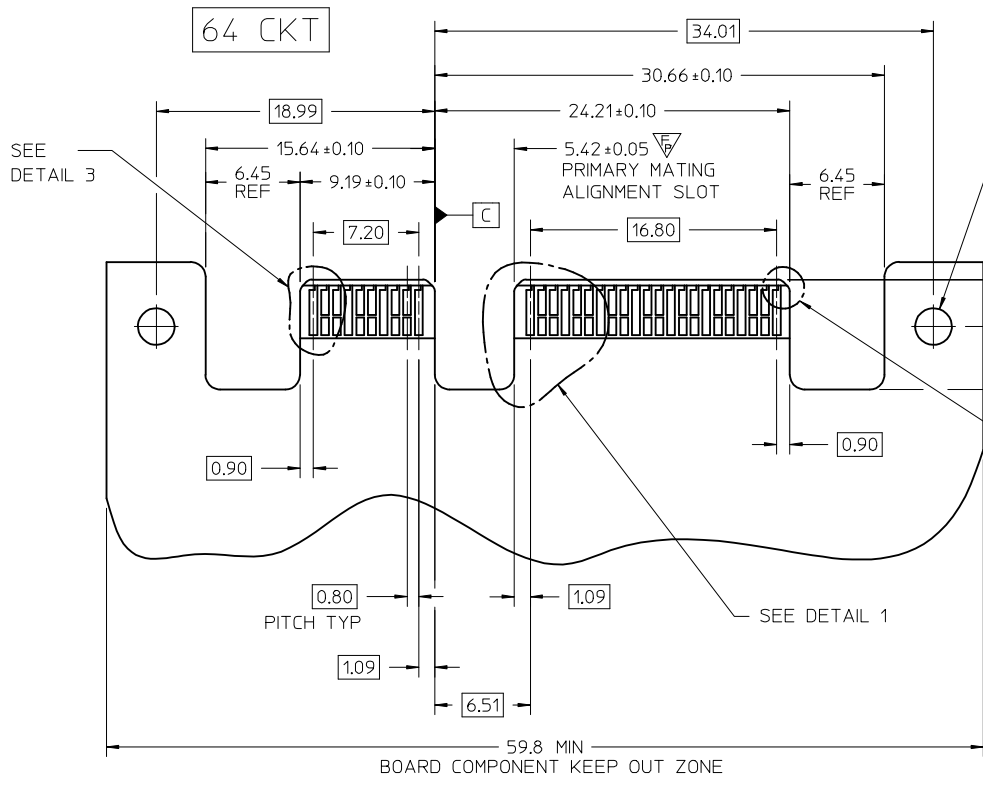
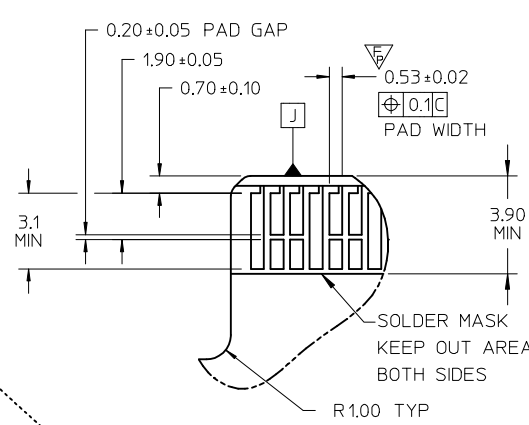
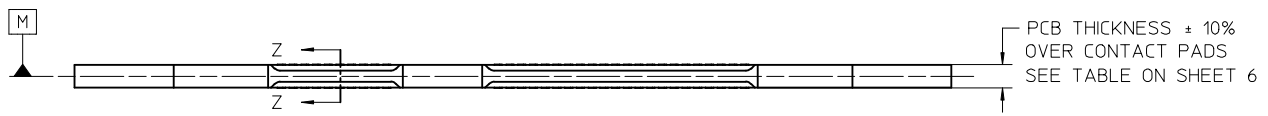
moLEX MOLEX INCORPORATED

DOCUMENT NO. SD-46720-0000 SHEET NO. 1 OF 7

THIS DRAWING CONTAINS INFORMATION THAT IS PROPRIETARY TO MOLEX INCORPORATED AND SHOULD NOT BE USED WITHOUT WRITTEN PERMISSION

9 8 7 6 5 4 3 2 1

10 9 8 7 6 5 4 3 2 1



MATING EDGE CARD NOTES:  
1.EDGE CARD CHAMFER NOT TO GO THROUGH GOLD PADS.  
2.MOLEX RECOMMENDS NO TIE BARS ON THE LEADING EDGE OF THE GOLD PADS. IF TIE BARS ARE USED, THEY SHALL BE PLACED TO ONE SIDE OF THE GOLD PAD. IT APPLIES TO ALL GOLD PADS (AS SHOWN IN DETAIL 3)

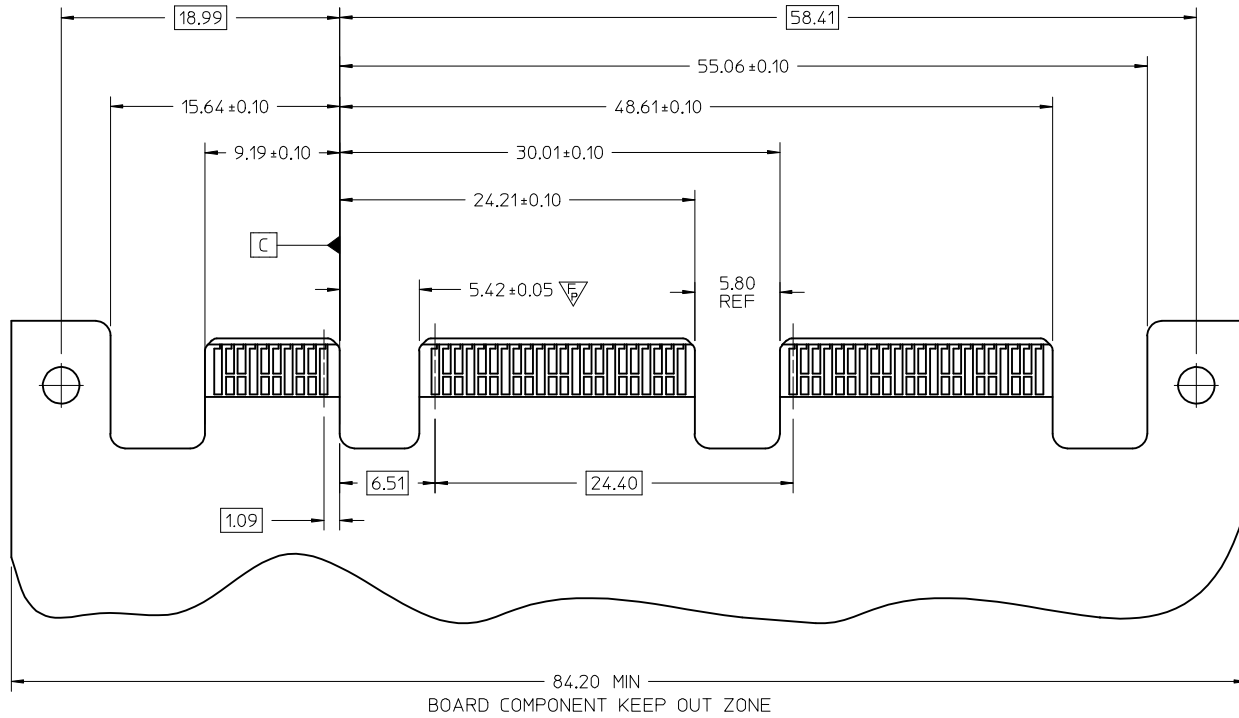
| <b>SEE SHEET 1</b><br>EC NO: S2015-1374<br>DRAWN: WHL LONG<br>CHKD: CGTAN<br>APPR: SHLENI<br>2015/05/25<br>2015/06/03<br>2015/06/03 | QUALITY SYMBOLS<br>▽=0<br>▽=0<br>▽=2<br>▽=0   | GENERAL TOLERANCES (UNLESS SPECIFIED)<br><table border="1"> <tr> <th></th> <th>mm</th> <th>INCH</th> </tr> <tr> <td>4 PLACES</td> <td>±---</td> <td>±---</td> </tr> <tr> <td>3 PLACES</td> <td>±---</td> <td>±---</td> </tr> <tr> <td>2 PLACES</td> <td>±---</td> <td>±---</td> </tr> <tr> <td>1 PLACE</td> <td>±---</td> <td>±---</td> </tr> </table> |   | mm                                   | INCH                       | 4 PLACES | ±--- | ±--- | 3 PLACES | ±--- | ±--- | 2 PLACES | ±--- | ±--- | 1 PLACE | ±--- | ±--- | DIMENSION STYLE<br><b>MM ONLY</b><br>DRAWN BY: TGREGORI<br>DATE: 2010/03/24<br>CHECKED BY: _____<br>DATE: _____ | SCALE<br><b>3:1</b><br>TITLE: _____ | DESIGN UNITS<br><b>METRIC</b><br>THIRD ANGLE PROJECTION |
|---|---|--|---|--------------------------------------|----------------------------|----------|------|------|----------|------|------|----------|------|------|---------|------|------|---|-------------------------------------|---|
|   |   | mm   | INCH  |                                      |                            |          |      |      |          |      |      |          |      |      |         |      |      |   |                                     |   |
|   | 4 PLACES  | ±---   | ±---  |                                      |                            |          |      |      |          |      |      |          |      |      |         |      |      |   |                                     |   |
|   | 3 PLACES  | ±---   | ±---  |                                      |                            |          |      |      |          |      |      |          |      |      |         |      |      |   |                                     |   |
| 2 PLACES  | ±---  | ±---   |   |                                      |                            |          |      |      |          |      |      |          |      |      |         |      |      |   |                                     |   |
| 1 PLACE   | ±---  | ±---   |   |                                      |                            |          |      |      |          |      |      |          |      |      |         |      |      |   |                                     |   |
| APPROVED BY: JCOMERC I<br>DATE: 2010/04/12<br>MATERIAL NO.  | DRAFT WHERE APPLICABLE MUST REMAIN WITHIN DIMENSIONS  | SEE SHEET 7  | APPROVED BY: _____<br>DATE: _____<br>MATERIAL NO. | DOCUMENT NO.<br><b>SD-46720-0000</b> | SHEET NO.<br><b>2 OF 7</b> |          |      |      |          |      |      |          |      |      |         |      |      |   |                                     |   |
| SIZE<br><b>B</b>  | THIS DRAWING CONTAINS INFORMATION THAT IS PROPRIETARY TO MOLEX INCORPORATED AND SHOULD NOT BE USED WITHOUT WRITTEN PERMISSION |  |   |                                      |                            |          |      |      |          |      |      |          |      |      |         |      |      |   |                                     |   |

9 8 7 6 5 4 3 2 1

10 9 8 7 6 5 4 3 2 1

108 CKT

ALL OTHER DIMENSIONS ARE THE SAME AS 64 CKT (SHEET 2) UNLESS OTHERWISE SPECIFIED



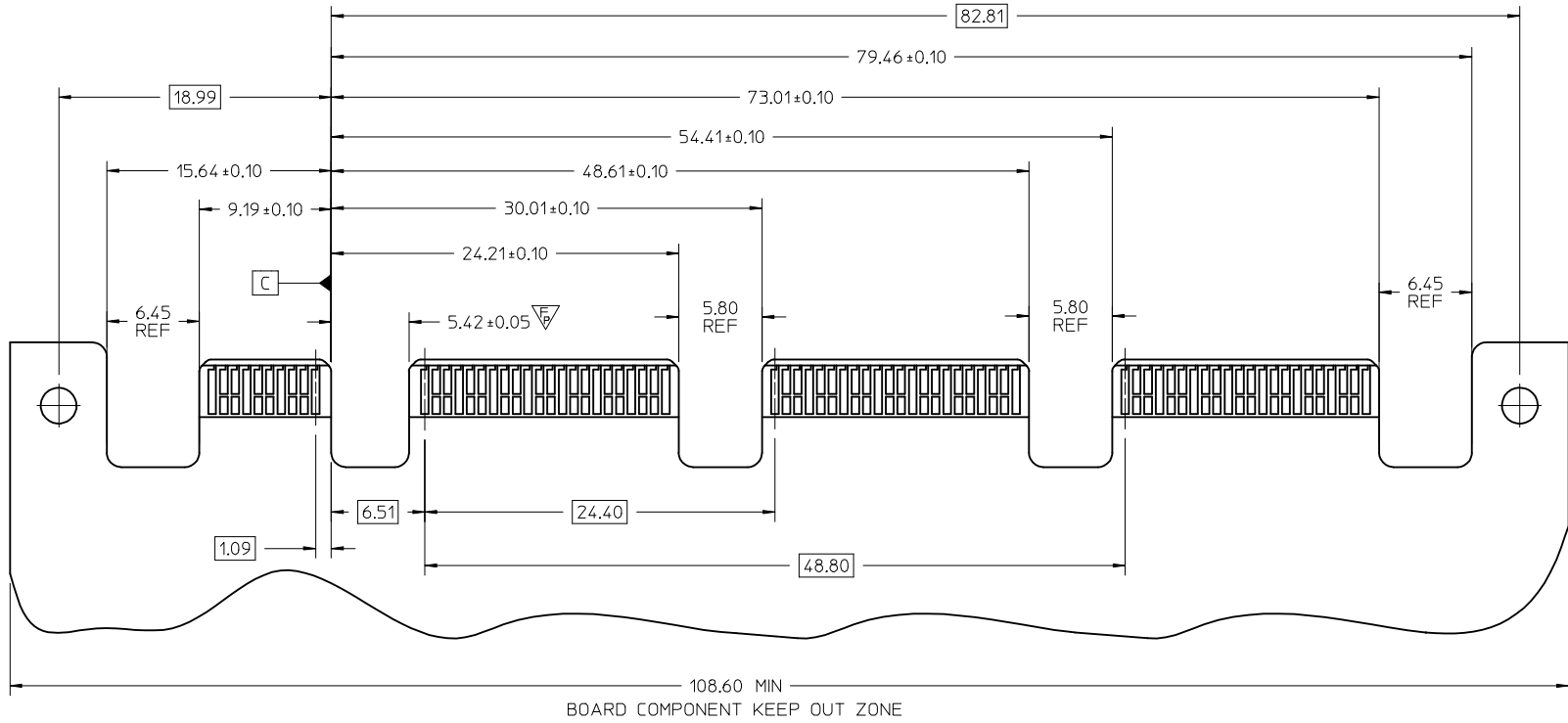
| <b>SEE SHEET 1</b><br>EC NO: S2015-1374<br>DRAWN: WHL LONG 2015/05/25<br>CHKD: CGTAN 2015/06/03<br>APPR: SILENI 2015/06/03 | QUALITY SYMBOLS<br>▽=0<br>▽=0<br>▽=1<br>▽=0 | GENERAL TOLERANCES (UNLESS SPECIFIED)<br><table border="1"> <thead> <tr> <th></th> <th>mm</th> <th>INCH</th> </tr> </thead> <tbody> <tr> <td>4 PLACES</td> <td>± ---</td> <td>± ---</td> </tr> <tr> <td>3 PLACES</td> <td>± ---</td> <td>± ---</td> </tr> <tr> <td>2 PLACES</td> <td>± ---</td> <td>± ---</td> </tr> <tr> <td>1 PLACE</td> <td>± ---</td> <td>± ---</td> </tr> </tbody> </table> |       | mm | INCH | 4 PLACES | ± --- | ± --- | 3 PLACES | ± --- | ± --- | 2 PLACES | ± --- | ± --- | 1 PLACE | ± --- | ± --- | DIMENSION STYLE<br><b>MM ONLY</b><br>DRAWN BY: TGREGORI<br>DATE: 2010/03/24<br>CHECKED BY: _____<br>DATE: _____<br>APPROVED BY: JCOMERCI<br>DATE: 2010/04/12<br>MATERIAL NO. _____<br>DOCUMENT NO. SD-46720-0000 | SCALE: 3:1<br>DESIGN UNITS: METRIC<br>THIRD ANGLE PROJECTION | TITLE: ASSEMBLY EDGELINE COEDGE CONNECTOR, 100 OHM<br>MOLEX INCORPORATED<br>SHEET NO. 3 OF 7 |
|--|---|--|-------|----|------|----------|-------|-------|----------|-------|-------|----------|-------|-------|---------|-------|-------|--|--|--|
|  |   | mm   | INCH  |    |      |          |       |       |          |       |       |          |       |       |         |       |       |  |  |  |
|  | 4 PLACES                                    | ± ---  | ± --- |    |      |          |       |       |          |       |       |          |       |       |         |       |       |  |  |  |
|  | 3 PLACES                                    | ± ---  | ± --- |    |      |          |       |       |          |       |       |          |       |       |         |       |       |  |  |  |
| 2 PLACES   | ± ---                                       | ± ---  |       |    |      |          |       |       |          |       |       |          |       |       |         |       |       |  |  |  |
| 1 PLACE  | ± ---                                       | ± ---  |       |    |      |          |       |       |          |       |       |          |       |       |         |       |       |  |  |  |
| DRAFT WHERE APPLICABLE MUST REMAIN WITHIN DIMENSIONS   | SEE SHEET 7                                 | THIS DRAWING CONTAINS INFORMATION THAT IS PROPRIETARY TO MOLEX INCORPORATED AND SHOULD NOT BE USED WITHOUT WRITTEN PERMISSION  |       |    |      |          |       |       |          |       |       |          |       |       |         |       |       |  |  |  |

9 8 7 6 5 4 3 2 1

10 9 8 7 6 5 4 3 2 1

152 CKT

ALL OTHER DIMENSIONS ARE THE SAME AS 64 CKT (SHEET 2) UNLESS OTHERWISE SPECIFIED



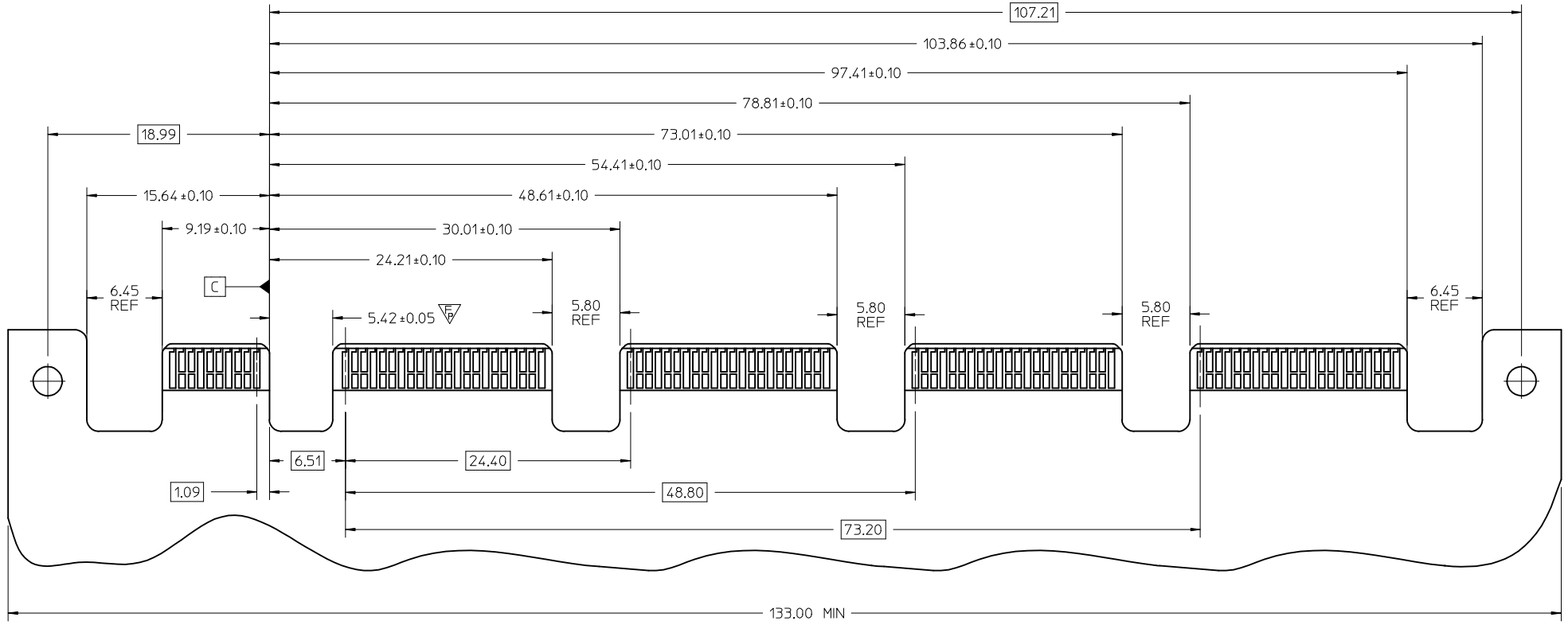
| <b>SEE SHEET 1</b><br>EC NO: S2015-1374<br>DRAWN: WHL LONG 2015/05/25<br>CHKD: CGTIAN 2015/06/03<br>APPR: SHLENI 2015/06/03 | QUALITY SYMBOLS<br>□ F/0<br>□ F/0<br>□ F/1<br>□ =0                     | GENERAL TOLERANCES (UNLESS SPECIFIED)<br><table border="1"> <thead> <tr> <th></th> <th>mm</th> <th>INCH</th> </tr> </thead> <tbody> <tr> <td>4 PLACES</td> <td>± ---</td> <td>± ---</td> </tr> <tr> <td>3 PLACES</td> <td>± ---</td> <td>± ---</td> </tr> <tr> <td>2 PLACES</td> <td>± ---</td> <td>± ---</td> </tr> <tr> <td>1 PLACE</td> <td>± ---</td> <td>± ---</td> </tr> </tbody> </table> |  | mm               | INCH  | 4 PLACES | ± --- | ± --- | 3 PLACES | ± --- | ± --- | 2 PLACES | ± --- | ± --- | 1 PLACE | ± --- | ± --- | DIMENSION STYLE<br><b>MM ONLY</b><br>DRAWN BY: TGREGORI<br>DATE: 2010/03/24<br>CHECKED BY: _____<br>DATE: _____ | SCALE: 3:1<br>DESIGN UNITS: METRIC<br>THIRD ANGLE PROJECTION | TITLE: ASSEMBLY EDGELINE COEDGE CONNECTOR, 100 OHM |
|---|--|--|--|------------------|---|----------|-------|-------|----------|-------|-------|----------|-------|-------|---------|-------|-------|---|--|--|
|   |  | mm   | INCH   |                  |   |          |       |       |          |       |       |          |       |       |         |       |       |   |  |  |
|   | 4 PLACES   | ± ---  | ± ---  |                  |   |          |       |       |          |       |       |          |       |       |         |       |       |   |  |  |
|   | 3 PLACES   | ± ---  | ± ---  |                  |   |          |       |       |          |       |       |          |       |       |         |       |       |   |  |  |
| 2 PLACES  | ± ---  | ± ---  |  |                  |   |          |       |       |          |       |       |          |       |       |         |       |       |   |  |  |
| 1 PLACE   | ± ---  | ± ---  |  |                  |   |          |       |       |          |       |       |          |       |       |         |       |       |   |  |  |
| APPROVED BY: JCOMERC I<br>DATE: 2010/04/12<br>MATERIAL NO.  | ANGULAR ± 1/2°<br>DRAFT WHERE APPLICABLE MUST REMAIN WITHIN DIMENSIONS | APPROVED BY: JCOMERC I<br>DATE: 2010/04/12<br>MATERIAL NO.   | MOLEX INCORPORATED<br>DOCUMENT NO. SD-46720-0000 | SHEET NO. 4 OF 7 | THIS DRAWING CONTAINS INFORMATION THAT IS PROPRIETARY TO MOLEX INCORPORATED AND SHOULD NOT BE USED WITHOUT WRITTEN PERMISSION |          |       |       |          |       |       |          |       |       |         |       |       |   |  |  |
| SEE SHEET 7   | SEE SHEET 7  | SEE SHEET 7  | SEE SHEET 7                                      | SEE SHEET 7      | SEE SHEET 7   |          |       |       |          |       |       |          |       |       |         |       |       |   |  |  |
| SEE SHEET 7   | SEE SHEET 7  | SEE SHEET 7  | SEE SHEET 7                                      | SEE SHEET 7      | SEE SHEET 7   |          |       |       |          |       |       |          |       |       |         |       |       |   |  |  |

9 8 7 6 5 4 3 2 1

10 9 8 7 6 5 4 3 2 1

196 CKT

ALL OTHER DIMENSIONS ARE THE SAME AS 64 CKT (SHEET 2) UNLESS OTHERWISE SPECIFIED



BOARD COMPONENT KEEP OUT ZONE

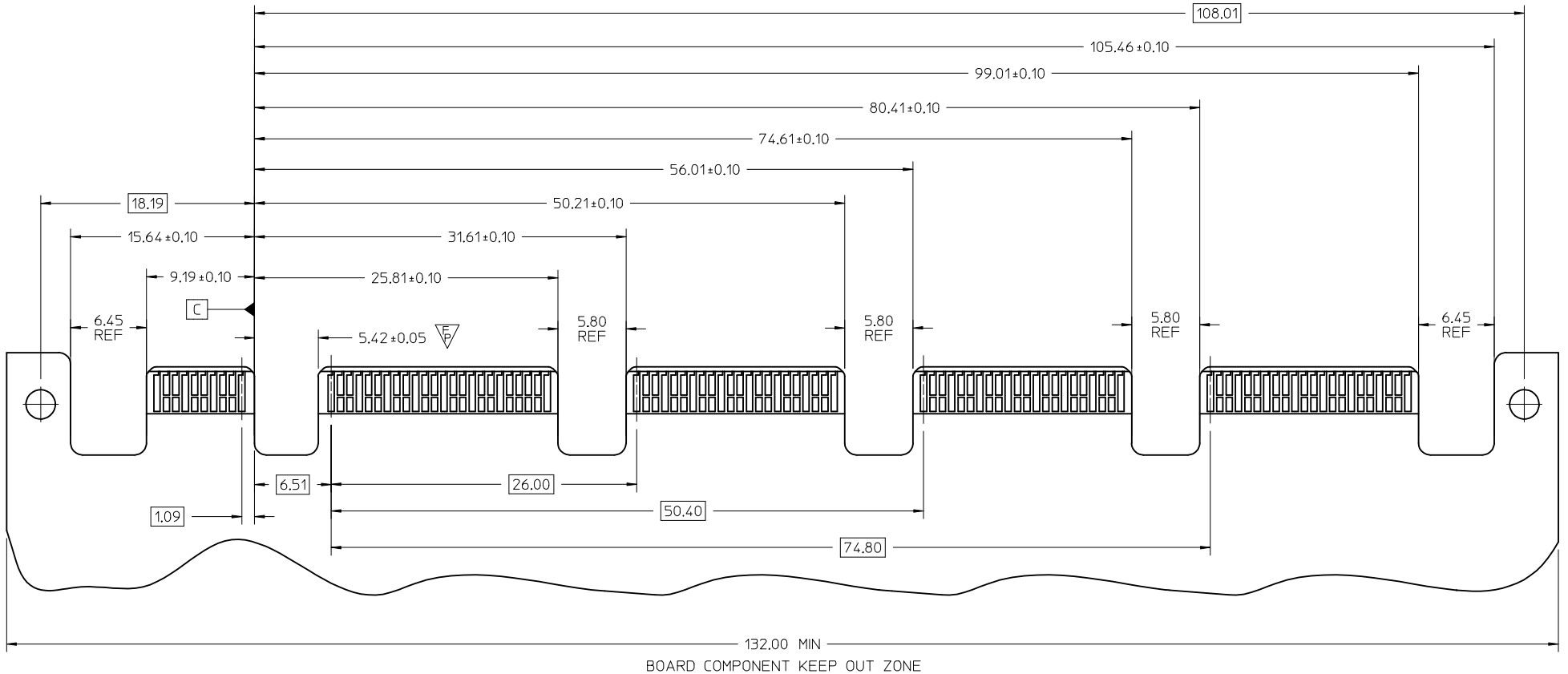
|  |  |   |   |  |                             |                               |  |                        |                        |  |  |
|--|--|---|---|--|-----------------------------|-------------------------------|--|------------------------|------------------------|--|--|
| SEE SHEET 1<br>EC NO: S2015-1374<br>DRAWN: WHL LONG<br>CHKD: CGTAN<br>APPR: SHLENI | 2015/05/25<br>2015/06/03<br>2015/06/03 | QUALITY SYMBOLS<br>▽/0<br>▽/0<br>▽/1<br>▽/0 | GENERAL TOLERANCES (UNLESS SPECIFIED)   |  | DIMENSION STYLE<br>MM ONLY  |                               | SCALE<br>3:1   | DESIGN UNITS<br>METRIC | THIRD ANGLE PROJECTION |  |  |
|  |  |   | 4 PLACES ± --- ± ---<br>3 PLACES ± --- ± ---<br>2 PLACES ± --- ± ---<br>1 PLACE ± --- ± --- | mm INCH<br>± --- ± ---<br>± --- ± ---<br>± --- ± --- | DRAWN BY<br>TGREGORI        | DATE<br>2010/03/24            | TITLE<br>ASSEMBLY<br>EDGELINE COEDGE<br>CONNECTOR, 100 OHM |                        |                        |  |  |
|  |  |   | ANGULAR ±1/2°   |  | APPROVED BY<br>JCOMERC I    | DATE<br>2010/04/12            | MOLEX INCORPORATED   |                        |                        |  |  |
|  |  |   | DRAFT WHERE APPLICABLE<br>MUST REMAIN<br>WITHIN DIMENSIONS                                  |  | MATERIAL NO.<br>SEE SHEET 7 | DOCUMENT NO.<br>SD-46720-0000 | SHEET NO.<br>5 OF 7  |                        |                        |  |  |

9 8 7 6 5 4 3 2 1

10 9 8 7 6 5 4 3 2 1

200 CKT

ALL OTHER DIMENSIONS ARE THE SAME AS 64 CKT (SHEET 2) UNLESS OTHERWISE SPECIFIED

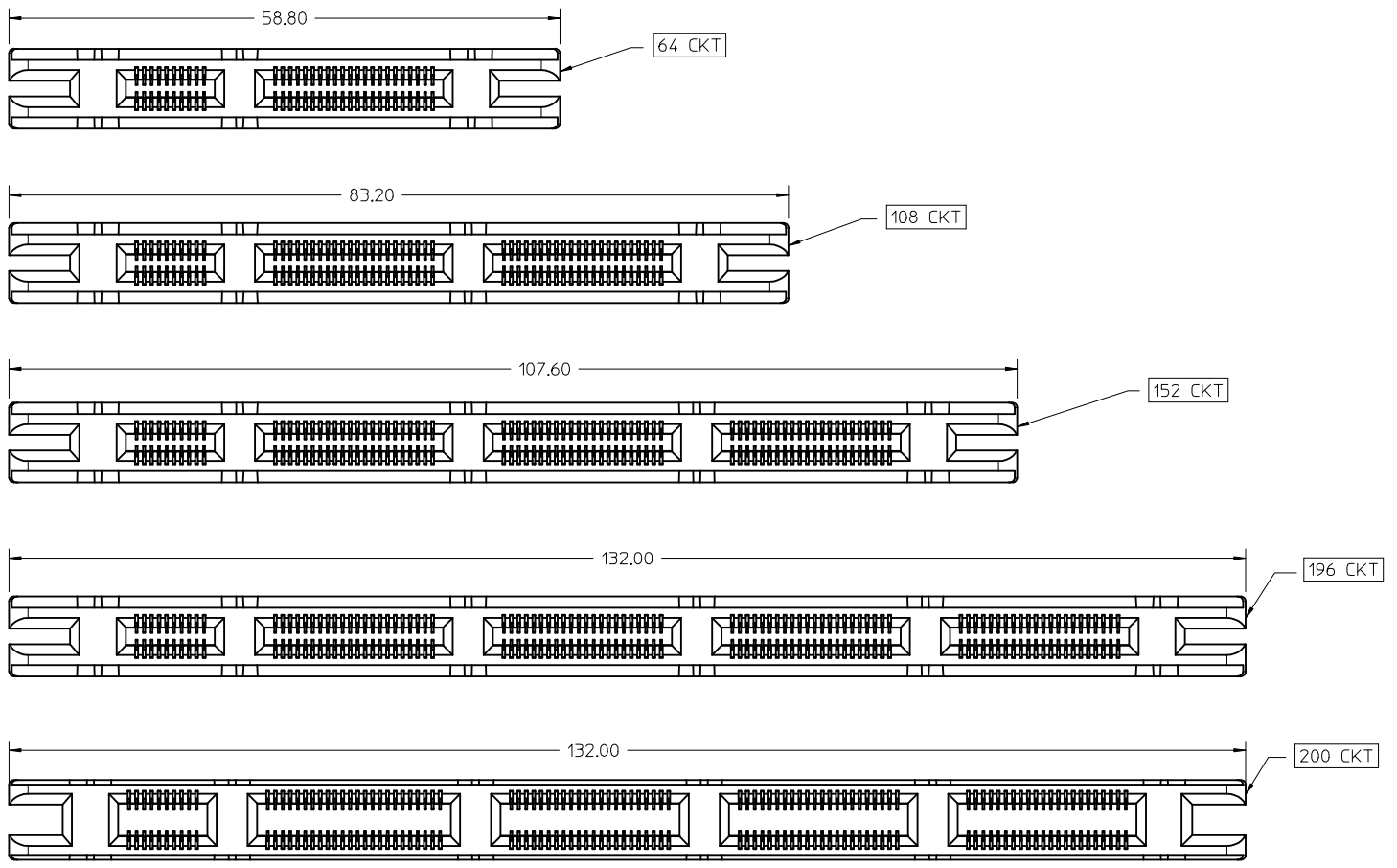


|  |   |  |  |  |  |
|--|---|--|--|--|--|
| <b>SEE SHEET 1</b><br>EC NO: S2015-1374<br>DRAWN: WHL LONG 2015/05/25<br>CHKD: CGTAN 2015/06/03<br>APPR: SILENI 2015/06/03 | QUALITY SYMBOLS<br>▽/0<br>▽/0<br>▽/1<br>▽/0   | GENERAL TOLERANCES (UNLESS SPECIFIED)<br>mm INCH<br>4 PLACES ± --- ± ---<br>3 PLACES ± --- ± ---<br>2 PLACES ± --- ± ---<br>1 PLACE ± --- ± ---<br>0 PLACE ± ± | DIMENSION STYLE<br>MM ONLY<br>DRAWN BY DATE<br>T.GREGORI 2010/03/24<br>CHECKED BY DATE | SCALE<br>3:1<br>TITLE<br>ASSEMBLY EDGELINE COEDGE CONNECTOR, 100 OHM | DESIGN UNITS<br>METRIC<br>THIRD ANGLE PROJECTION |
|  | ANGULAR ± 1/2°<br>DRAFT WHERE APPLICABLE MUST REMAIN WITHIN DIMENSIONS  | APPROVED BY DATE<br>JCOMERC I 2010/04/12   | MATERIAL NO.<br>SEE SHEET 7  | DOCUMENT NO.<br>SD-46720-0000  | SHEET NO.<br>6 OF 7                              |
|  | THIS DRAWING CONTAINS INFORMATION THAT IS PROPRIETARY TO MOLEX INCORPORATED AND SHOULD NOT BE USED WITHOUT WRITTEN PERMISSION |  |  |  |  |
|  | THIS DRAWING CONTAINS INFORMATION THAT IS PROPRIETARY TO MOLEX INCORPORATED AND SHOULD NOT BE USED WITHOUT WRITTEN PERMISSION |  |  |  |  |

9 8 7 6 5 4 3 2 1

| PART NUMBER | CIRCUIT SIZE | PCB A THK (in) | PCB B THK (in) | DIM A |
|-------------|--------------|----------------|----------------|-------|
| 46720 0001  | 64           | .062           | .062           | 58.8  |
| 46720 0002  | 64           | .093           | .093           | 58.8  |
| 46720 0003  | 64           | .110           | .110           | 58.8  |
| 46720 0004  | 64           | .125           | .125           | 58.8  |
| 46720 0005  | 64           | .062           | .093           | 58.8  |
| 46720 0006  | 64           | .062           | .110           | 58.8  |
| 46720 0007  | 64           | .062           | .125           | 58.8  |
| 46720 0008  | 64           | .093           | .110           | 58.8  |
| 46720 0009  | 64           | .093           | .125           | 58.8  |
| 46720 0010  | 64           | .110           | .125           | 58.8  |
| 46720 0011  | 108          | .062           | .062           | 83.2  |
| 46720 0012  | 108          | .093           | .093           | 83.2  |
| 46720 0013  | 108          | .110           | .110           | 83.2  |
| 46720 0014  | 108          | .125           | .125           | 83.2  |
| 46720 0015  | 108          | .062           | .093           | 83.2  |
| 46720 0016  | 108          | .062           | .110           | 83.2  |
| 46720 0017  | 108          | .062           | .125           | 83.2  |
| 46720 0018  | 108          | .093           | .110           | 83.2  |
| 46720 0019  | 108          | .093           | .125           | 83.2  |
| 46720 0020  | 108          | .110           | .125           | 83.2  |
| 46720 0021  | 152          | .062           | .062           | 107.6 |
| 46720 0022  | 152          | .093           | .093           | 107.6 |
| 46720 0023  | 152          | .110           | .110           | 107.6 |
| 46720 0024  | 152          | .125           | .125           | 107.6 |
| 46720 0025  | 152          | .062           | .093           | 107.6 |
| 46720 0026  | 152          | .062           | .110           | 107.6 |
| 46720 0027  | 152          | .062           | .125           | 107.6 |
| 46720 0028  | 152          | .093           | .110           | 107.6 |
| 46720 0029  | 152          | .093           | .125           | 107.6 |
| 46720 0030  | 152          | .110           | .125           | 107.6 |
| 46720 0031  | 196          | .062           | .062           | 132   |
| 46720 0032  | 196          | .093           | .093           | 132   |
| 46720 0033  | 196          | .110           | .110           | 132   |
| 46720 0034  | 196          | .125           | .125           | 132   |
| 46720 0035  | 196          | .062           | .093           | 132   |
| 46720 0036  | 196          | .062           | .110           | 132   |
| 46720 0037  | 196          | .062           | .125           | 132   |
| 46720 0038  | 196          | .093           | .110           | 132   |
| 46720 0039  | 196          | .093           | .125           | 132   |
| 46720 0040  | 196          | .110           | .125           | 132   |
| 46720 0041  | 200          | .125           | .125           | 132   |

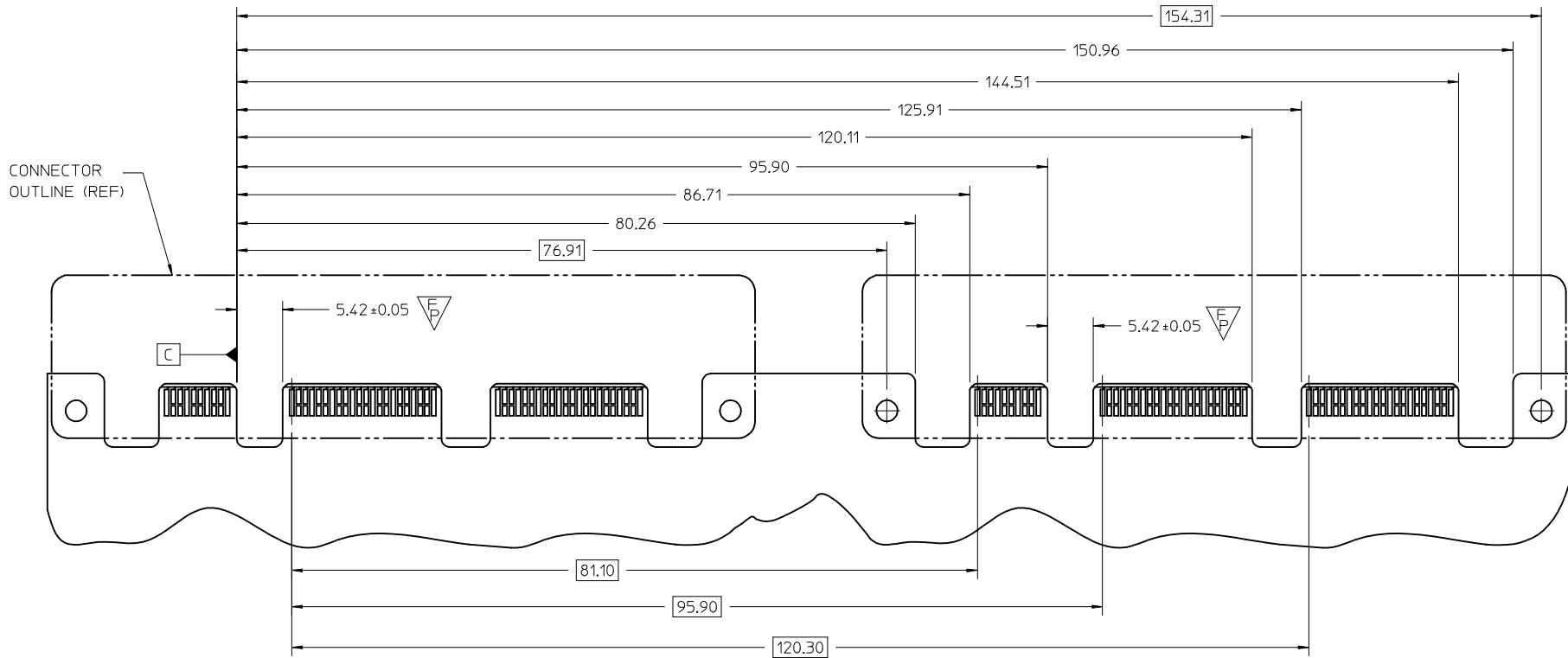
BOARD THICKNESS (IN)



|  |   |   |            |                                   |                    |   |                               |                        |  |                            |  |
|--|---|---|------------|-----------------------------------|--------------------|---|-------------------------------|------------------------|--|----------------------------|--|
| <b>SEE SHEET 1</b><br>EC NO: S2015-1374<br>DRAWN: WHL LONG 2015/05/25<br>CHKD: CGTAN 2015/06/03<br>APPR: SHLENI 2015/06/03 | QUALITY SYMBOLS<br>$\nabla F=0$<br>$\nabla E=0$<br>$\nabla F=0$ | GENERAL TOLERANCES (UNLESS SPECIFIED)   |            | DIMENSION STYLE<br><b>MM ONLY</b> |                    | SCALE<br><b>2:1</b>   | DESIGN UNITS<br><b>METRIC</b> | THIRD ANGLE PROJECTION |  |                            |  |
|  |   | 4 PLACES $\pm$ --- $\pm$ ---<br>3 PLACES $\pm$ --- $\pm$ ---<br>2 PLACES $\pm$ --- $\pm$ ---<br>1 PLACE $\pm$ --- $\pm$ --- | mm<br>INCH | DRAWN BY<br>TGREGORI              | DATE<br>2010/03/24 | TITLE<br><b>ASSEMBLY EDGELINE COEDGE CONNECTOR, 100 OHM</b> |                               |                        |  |                            |  |
|  |   | ANGULAR $\pm 1/2^\circ$   |            | APPROVED BY<br>JCOMERC I          | DATE<br>2010/04/12 | <b>MOLEX INCORPORATED</b>                                   |                               |                        |  |                            |  |
|  |   | DRAFT WHERE APPLICABLE MUST REMAIN WITHIN DIMENSIONS  |            | MATERIAL NO.<br><b>SEE TABLE</b>  |                    | DOCUMENT NO.<br><b>SD-46720-0000</b>                        |                               |                        |  | SHEET NO.<br><b>7 OF 7</b> |  |

# PCB 1 LAYOUT (PRIMARY)

SEE DRAWING SD-46720-0000 FOR ALL PAD DETAILS NOT SHOWN



**NOTE:**

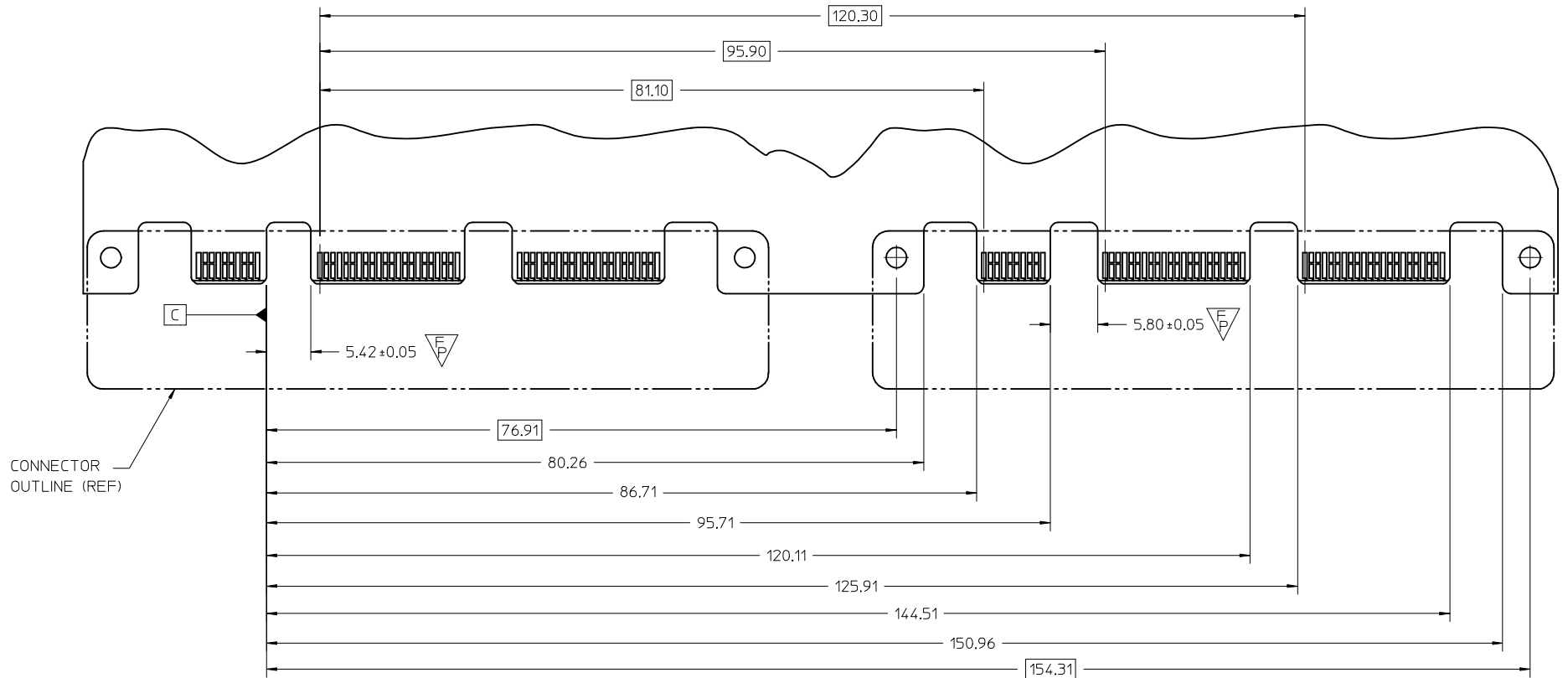
- 1. ALL CONNECTORS MUST BE MATED TO PCB 1 BEFORE TO PCB 2.

|   |  |  |  |  |   |  |
|---|--|--|--|--|---|--|
| <b>INITIAL RELEASE</b><br>EC NO: UCP2012-0081<br>DRAWN: JGREGORI 2011/07/08<br>CHKD: JCOMERC I<br>APPR: JCOMERC I 2011/07/25<br>REV 1 | QUALITY SYMBOLS<br>F/0<br>F/0<br>F/3                       | GENERAL TOLERANCES (UNLESS SPECIFIED)<br>mm INCH<br>4 PLACES ± --- ± ---<br>3 PLACES ± --- ± ---<br>2 PLACES ± 0.10 ± ---<br>1 PLACE ± --- ± ---<br>ANGULAR ± 1/2° | DIMENSION STYLE<br><b>MM ONLY</b><br>DRAWN BY DATE<br>JGREGORI 2011/07/08<br>CHECKED BY DATE<br>APPROVED BY DATE<br>JCOMERC I 2011/07/25<br>MATERIAL NO.<br><b>46720</b> | SCALE<br><b>2:1</b><br>DESIGN UNITS<br><b>METRIC</b><br>THIRD ANGLE PROJECTION | TITLE<br><b>EDGE LINE, 12.5 GPBS<br/>                 COEDGE CONN. 108 CKT<br/>                 MULTI CONN PCB LAYOUT</b><br>MOLEX INCORPORATED<br>DOCUMENT NO.<br><b>SD-46720-0108</b><br>SHEET NO.<br><b>1 OF 2</b> |  |
|   | DRAFT WHERE APPLICABLE<br>MUST REMAIN<br>WITHIN DIMENSIONS |  | THIS DRAWING CONTAINS INFORMATION THAT IS PROPRIETARY TO MOLEX INCORPORATED AND SHOULD NOT BE USED WITHOUT WRITTEN PERMISSION  |  |   |  |
|   |  |  |  | SIZE<br><b>B</b>   |   |  |
|   |  |  |  |  |   |  |



# PCB 2 LAYOUT (SECONDARY)

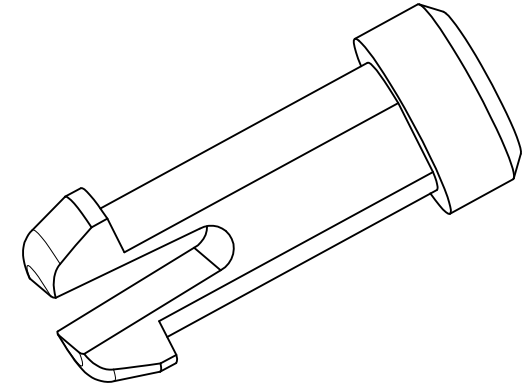
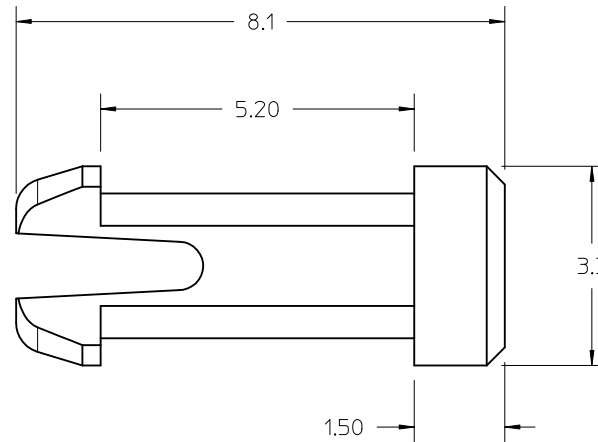
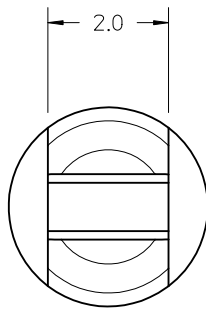
SEE DRAWING SD-46720-0000 FOR ALL PAD DETAILS NOT SHOWN



NOTE:

1. ALL CONNECTORS MUST BE MATED TO PCB 1 BEFORE TO PCB 2.

|   |                       |   |                            |                       |   |                        |                        |  |
|---|-----------------------|---|----------------------------|-----------------------|---|------------------------|------------------------|--|
| SEE SHEET 1<br>EC NO: UCP2012-0081<br>DRAWN: JGREGORI 2011/07/08<br>CHKD: JGREGORI<br>APPR: JCOMERCI 2011/07/25 | QUALITY SYMBOLS       | GENERAL TOLERANCES (UNLESS SPECIFIED)                   | DIMENSION STYLE<br>MM ONLY |                       | SCALE<br>2:1  | DESIGN UNITS<br>METRIC | THIRD ANGLE PROJECTION |  |
|   | $\nabla F=0$          | mm INCH   | DRAWN BY<br>JGREGORI       | DATE<br>2011/07/08    | TITLE<br>EDGELINE, 12.5 GPBS<br>COEDGE CONN. 108 CKT<br>MULTI CONN PCB LAYOUT   |                        |                        |  |
|   | $\nabla F=0$          | 4 PLACES ± --- ± ---                                    | CHECKED BY                 | DATE                  | MOLEX INCORPORATED<br>DOCUMENT NO. SD-46720-0108<br>SHEET NO. 2 OF 2  |                        |                        |  |
|   | $\nabla F=3$          | 3 PLACES ± --- ± ---                                    | APPROVED BY<br>JCOMERCI    | DATE<br>2011/07/25    |   |                        |                        |  |
|   | 2 PLACES ± 0.10 ± --- | DRAFT WHERE APPLICABLE<br>MUST REMAIN WITHIN DIMENSIONS |                            | MATERIAL NO.<br>46720 |   |                        |                        |  |
|   | 1 PLACE ± --- ± ---   |   |                            | SIZE<br>B             | THIS DRAWING CONTAINS INFORMATION THAT IS PROPRIETARY TO MOLEX INCORPORATED AND SHOULD NOT BE USED WITHOUT WRITTEN PERMISSION |                        |                        |  |
|   | ANGULAR ± 1/2°        |   |                            |                       |   |                        |                        |  |



NOTES:

1. MATERIAL: NYLON 6/6, UL94 V-0 (RMS-19)  
COLOR: NATURAL
2. FOR USE WITH MOLEX EDGELINE COEDGE SERIES 46720.
3. RIVETS RECEIVED FROM MOLEX IN INDIVIDUAL PLASTIC BAGS WITH QUANTITY 1000 PCS
4. TO REMOVE RIVET FROM ASSEMBLY USE MOLEX REMOVAL TOOL NUMBER 638133502

|   |                                   |                                       |  |                                   |                                      |   |   |                           |  |  |
|---|-----------------------------------|---------------------------------------|--|-----------------------------------|--------------------------------------|---|---|---------------------------|--|--|
| REMOVED P/N 7711<br>EC NO: UCP2012-0083<br>DRWN: TGREGORI 2011/07/14<br>CH'KD:<br>APPR: JCOMERCI 2011/09/13 | QUALITY SYMBOLS<br>=0<br>=0<br>=0 | GENERAL TOLERANCES (UNLESS SPECIFIED) |  | DIMENSION STYLE<br><b>MM ONLY</b> |                                      | SCALE<br><b>8:1</b>   | DESIGN UNITS<br><b>METRIC</b>   | THIRD ANGLE PROJECTION    |  |  |
|   |                                   |                                       | mm   | INCH                              | DRAWN BY<br>TGREGORI                 | DATE<br>2010/03/24  | TITLE<br><b>SNAP LOCK PIN<br/>         EDGELINE COEDGE<br/>         CONNECTOR</b> |                           |  |  |
|   |                                   | 4 PLACES                              | ± ---  | ± ---                             | CHECKED BY                           | DATE  |   |                           |  |  |
|   |                                   | 3 PLACES                              | ± ---  | ± ---                             | APPROVED BY<br>JCOMERCI              |   | DATE<br>2010/04/12  | <b>MOLEX INCORPORATED</b> |  |  |
| 2 PLACES  | ± 0.13                            | ± ---                                 | MATERIAL NO.<br><b>46720-7710</b>                    |                                   | DOCUMENT NO.<br><b>SD-46720-7710</b> | SHEET NO.<br><b>1 OF 1</b>  |   |                           |  |  |
| 1 PLACE   | ± 0.25                            | ± ---                                 | DRAFT WHERE APPLICABLE MUST REMAIN WITHIN DIMENSIONS |                                   |                                      |   |   |                           |  |  |
|   |                                   | ANGULAR ±1/2°                         |  | SIZE<br><b>A</b>                  |                                      | THIS DRAWING CONTAINS INFORMATION THAT IS PROPRIETARY TO MOLEX INCORPORATED AND SHOULD NOT BE USED WITHOUT WRITTEN PERMISSION |   |                           |  |  |