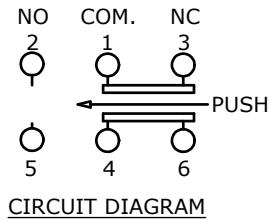
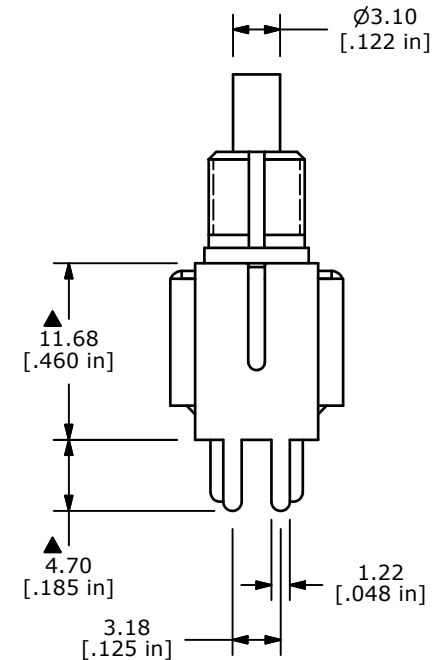
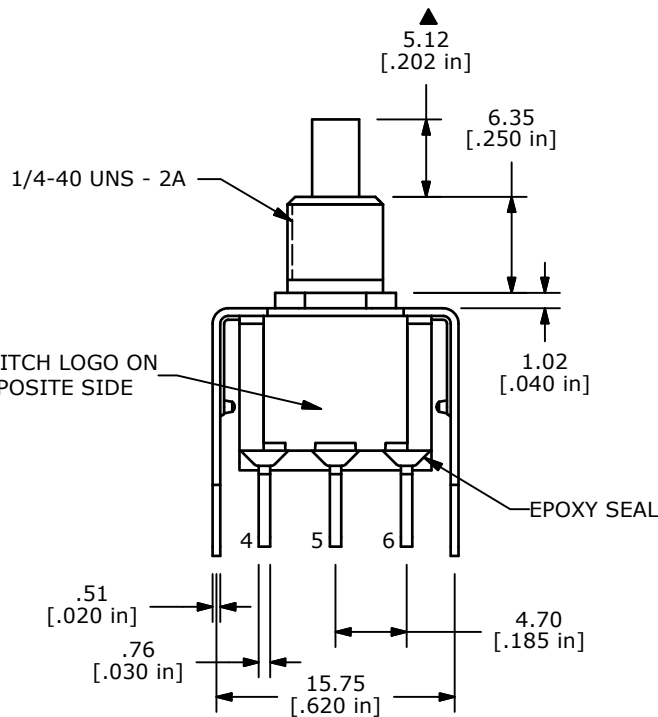


SWITCH FUNCTION	
POS. 1	POS. 2
ON	(ON)
1-3, 4-6	1-2, 4-5

() = MOMENTARY



- NOTES;
1. DIMENSIONS IN MM [INCH]
 2. GENERAL TOLERANCE: x.x=±0.4
x.xx=±0.25
 3. TERMINAL NUMBERS FOR REFERENCE ONLY
 - ▲4. PLATING MATERIAL: GOLD
 5. RATING: 0.4VA MAX. @ 20VAC or DC MAX.
 6. ELECTRIC LIFE: 50,000 MAKE-AND-BREAK CYCLES AT FULL LOAD
 7. INSULATION RESISTANCE: 1,000 MEGA-OHM MIN.
 8. ACUATION FORCE: 300 ± 100gf
 - ▲9. TRAVEL: 1.0 ± 0.2mm
 10. CONTACT RESISTANCE: 20 mOHM MAX. TYPICAL @ 2-4 VDC
 11. DIELECTRIC STRENGTH: 1,000 V RMS @ SEA LEVEL.
 12. OPERATING TEMP.: -30°C to 85°C
 13. ▲DENOTES CRITICAL PARAMETER.
 14. 2002/95/EC (ROHS) COMPLIANT.



B	20052	DRAWING UPDATE / CLEAN-UP	7/7/11	BGL
A	16167	NEW PART RELEASE	6/21/06	CT
REV	PCR NO	DESCRIPTION	DATE	BY

TITLE 700DP7B10VS2RE				
SCALE 2:1	DATE 6/21/2006	DR CT	DWG T721014	REV B

THE INFORMATION CONTAINED IN THIS DOCUMENT IS PROPRIETARY TO E-SWITCH AND IS NOT TO BE COPIED OR TRANSFERRED