

# CKCM25JB1E103M060AA

TDK Item Description : CKCM25JB1E103MT\*\*\*\*

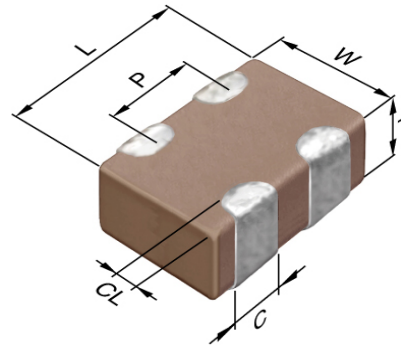


## Application & Main Feature

Commercial Grade ( 2 in 1 Array )

## Series

CKCM25



## Dimensions

|   |                  |
|---|------------------|
| L | 1.37mm +/-0.15mm |
| W | 1.00mm +/-0.15mm |
| T | 0.60mm +/-0.1mm  |
| C | 0.36mm Nom.      |
| P | 0.64mm Nom.      |

## Temperature Characteristic

JB (-25 to 85 degC +/-10%)

## Rated Voltage

1E (25Vdc)

## Capacitance

10nF

## Capacitance Tolerance

M (+/-20%)

## Dissipation Factor

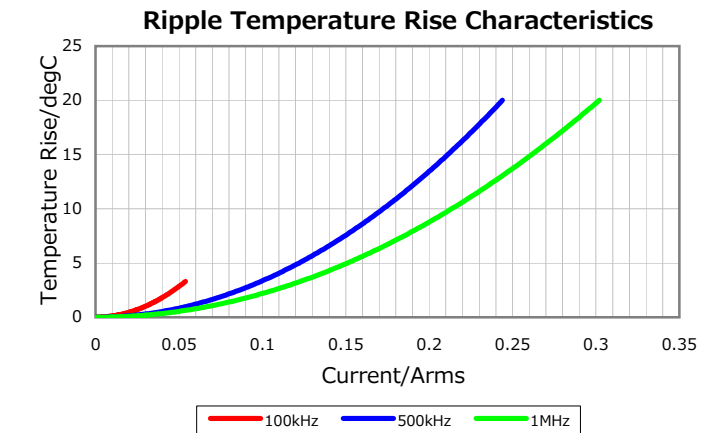
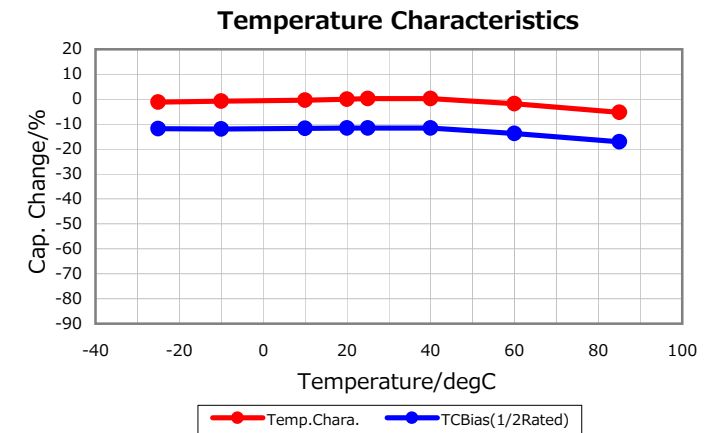
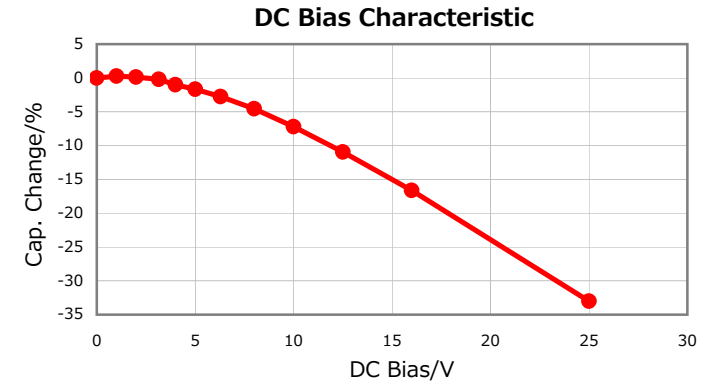
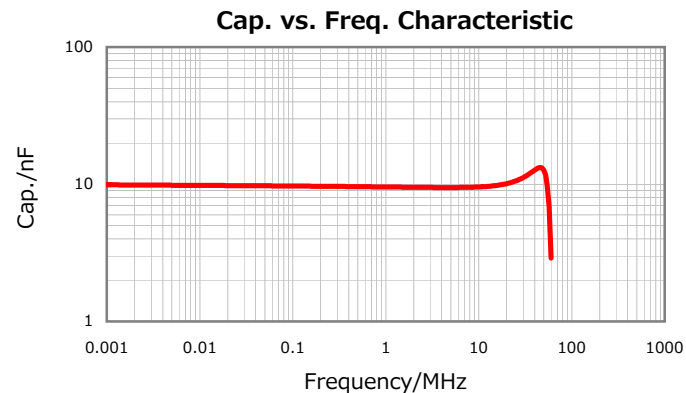
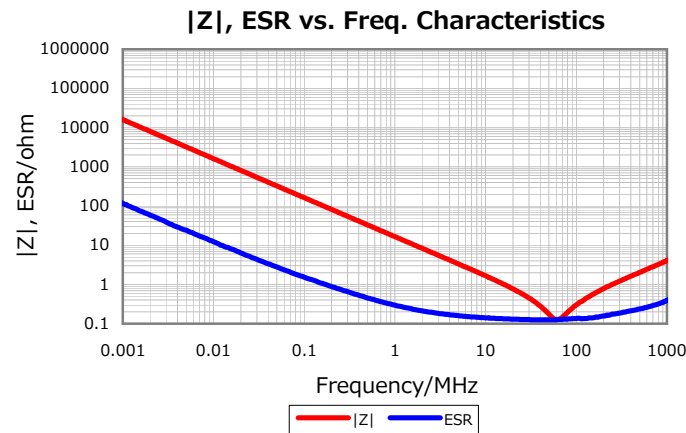
2.5% Max.

## Insulation Resistance

10Gohm Min.

## AEC-Q200

Not Applicable



Characterization Sheet ( Multilayer Ceramic Chip Capacitors )



All specifications are subject to change without notice.

January 4, 2016