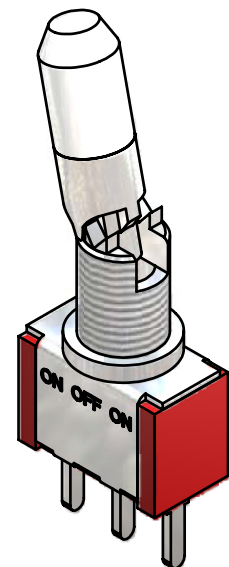
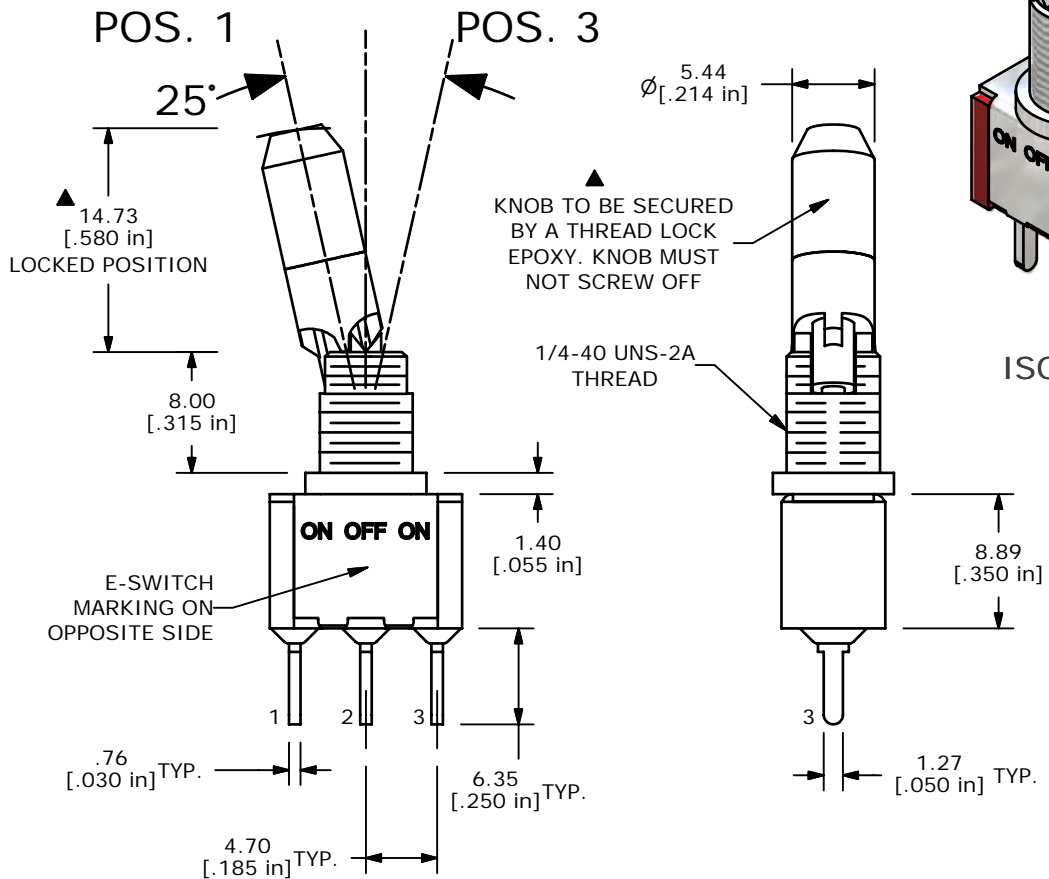
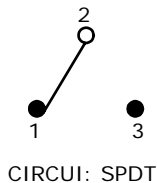


SWITCH FUNCTION		
POS. 1	POS. 2	POS. 3
ON	OFF	ON
2-3	OPEN	2-1



- NOTE:
1. ALL DIMENSIONS IN MM [INCH].
  2. GENERAL TOLERANCE: X.X=±0.4  
X.XX=±0.25
  3. TERMINAL NUMBERS FOR REF ONLY.
  - ▲ 4. PLATING MATERIAL: GOLD
  5. RATING: 0.4VA MAX. @ 20VAC OR VDC MAX.
  6. ELECTRIC LIFE: 40,000 MAKE-AND-BREAK CYCLES AT FULL LOAD
  7. INSULATION RESISTANCE: 1,000 MEGA-OHM MIN.
  8. DIELECTRIC STRENGTH: 1,000 V RMS @ SEA LEVEL.
  9. OPERATING TEMP.: -30°C to 85°C
  10. HARDWARE TO BE SUPPLIED BULK:  
T100011 - LOCK WASHER - QTY 1  
T100015 - LOCK RING - QTY 1  
T100000 - HEX NUT - QTY 2
  - ▲ 11. DENOTES CRITICAL PARAMETER.
  12. 2002/95/EC (ROHS) COMPLIANT.

**E-SWITCH®**

A	16239	NEW RELEASE	7/19/06	BK
REV	PCR NO	DESCRIPTION	DATE	BY

TITLE 100SP3K2B25M2REH				
SCALE	DATE	DR	DWG	REV
2:1	07/19/06	BK	ST116008	A

THE INFORMATION CONTAINED IN THIS DOCUMENT IS PROPRIETARY TO E-SWITCH AND IS NOT TO BE COPIED OR TRANSFERRED