

Description : 50 Ohms Terminated SP6T 3GHz SMA LATCHING 12V D-SUB SWITCH  
 Options : INDICATOR / SELF CUT-OFF / AUTO RESET / SUPP. DIODES

Issue 12.12.12  
 Page 1/2

**RF CHARACTERISTICS**

Number of ways : 6  
 Frequency range : 0 - 3 GHz  
 Impedance : 50 Ohms

|                    |         |
|--------------------|---------|
| Frequency (GHz)    | 0 - 3   |
| VSWR max           | 1.20    |
| Insertion loss max | 0.20 dB |
| Isolation min      | 80 dB   |
| Average power (*)  | 240 W   |

TERMINATION IMPEDANCE : 50 Ohms  
 TERM. AVG. POWER AT 25° C : 1 W per termination  
 3 W total power

**ELECTRICAL CHARACTERISTICS**

Actuator : LATCHING  
 Nominal current \*\* : 960 mA  
 Actuator voltage (Vcc) : 12V (10.2 to 13V) / NEGATIVE COMMON  
 Terminals : 25 pins D-SUB male connector  
 Indicator rating : 1 W / 30 V / 100 mA  
 Self cut-off time : 40 ms < CT < 120 ms

**MECHANICAL CHARACTERISTICS**

Connectors : SMA female per MIL-C 39012  
 Life : 2.000.000 cycles per position  
 Switching Time\*\*\* : < 40 ms  
 Construction : Splashproof  
 Weight : < 250 g

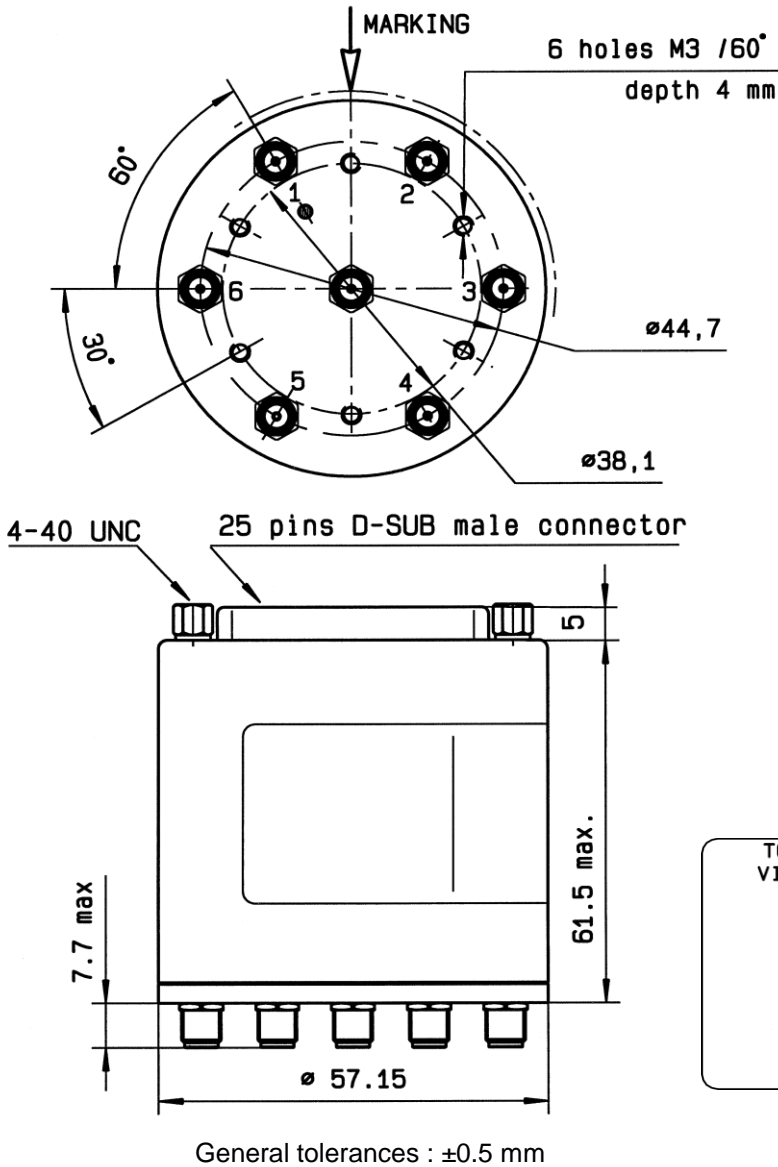
**ENVIRONMENTAL CHARACTERISTICS**

Operating temperature range : -40°C to +85°C  
 Storage temperature range : -55°C to +85°C

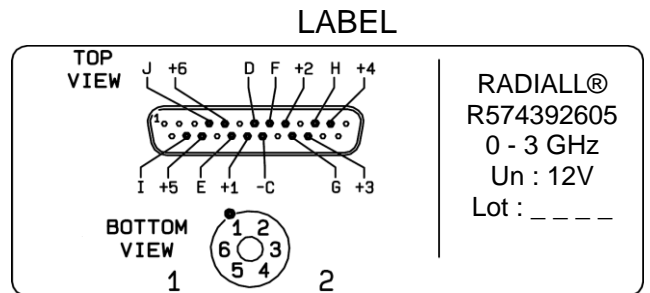


(\* Average power at 25°C per RF Path)  
 (\*\* At 25° C ±10%)  
 (\*\*\*) Nominal voltage ; 25° C)

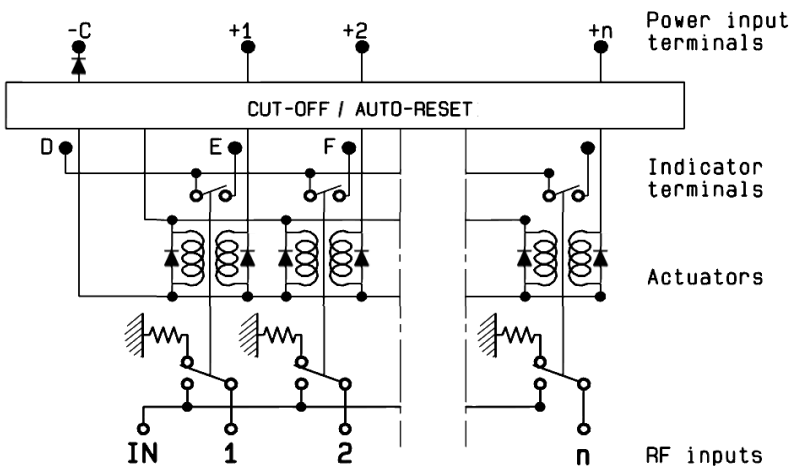
**DRAWING**



| Voltage | RF Continuity | Ind. |
|---------|---------------|------|
| -C +1   | IN ↔ 1        | D.E  |
| -C +2   | IN ↔ 2        | D.F  |
| -C +3   | IN ↔ 3        | D.G  |
| -C +4   | IN ↔ 4        | D.H  |
| -C +5   | IN ↔ 5        | D.I  |
| -C +6   | IN ↔ 6        | D.J  |



**SCHEMATIC DIAGRAM**



This information is given as an indication. In order to improve our products, we reserve the right to make any modifications judged necessary