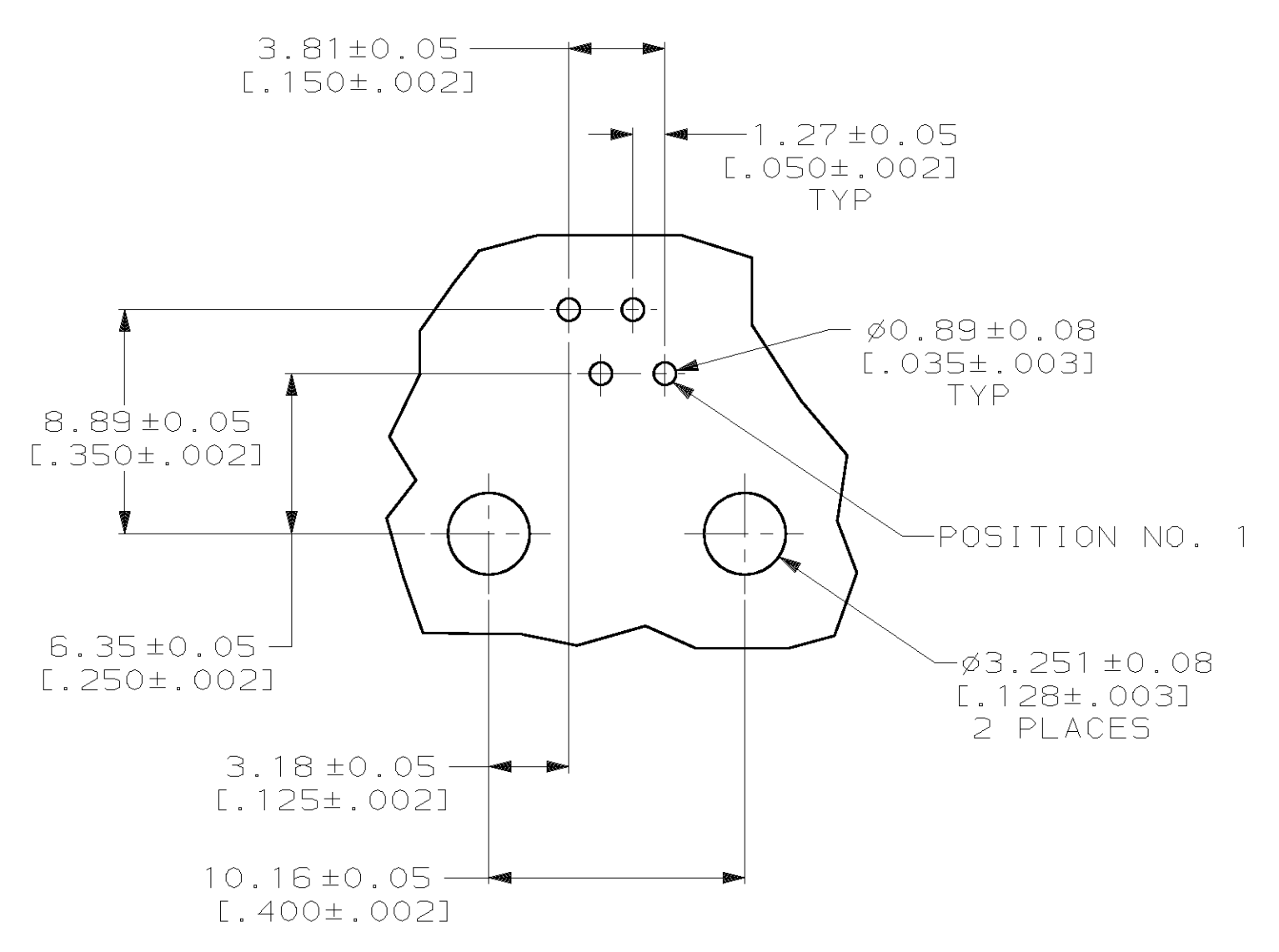
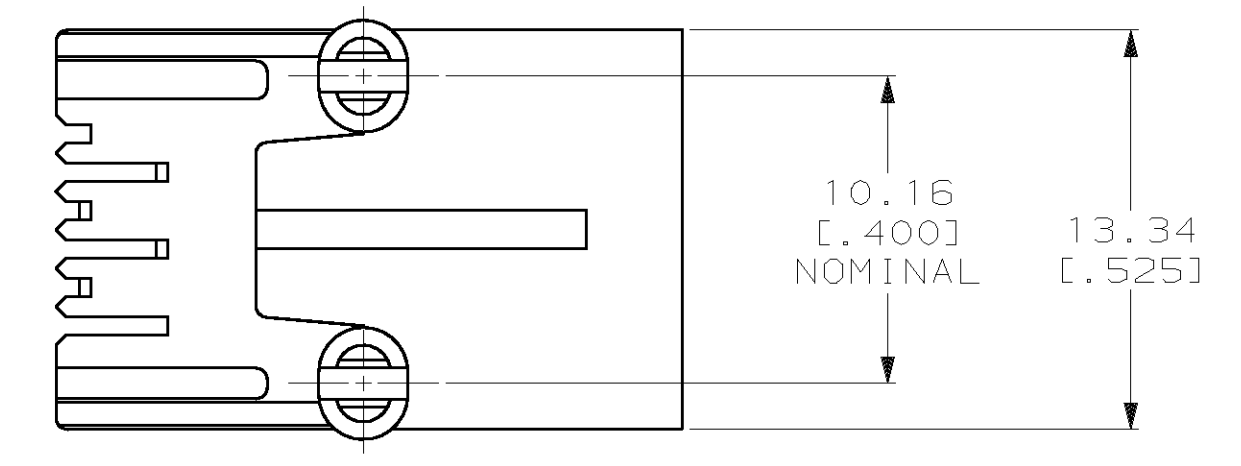
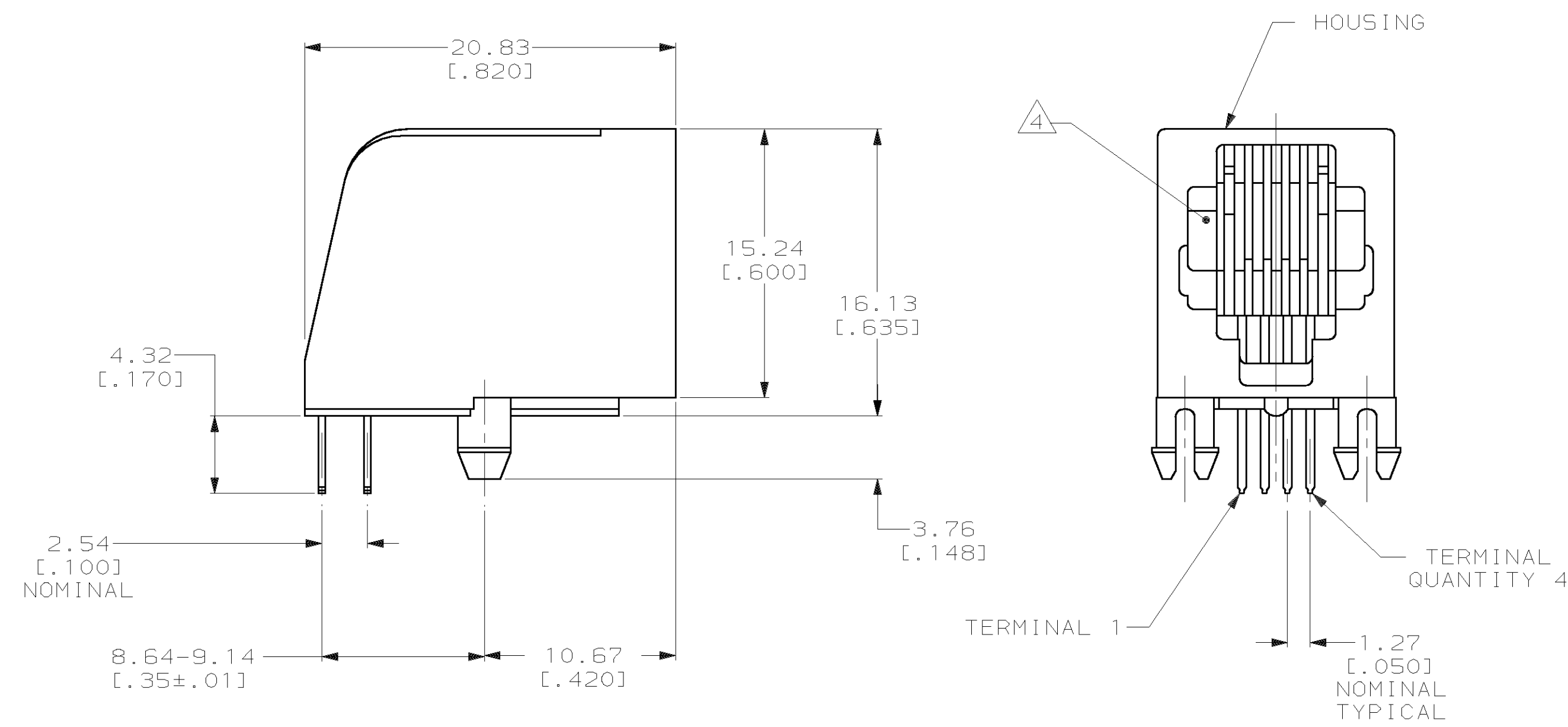
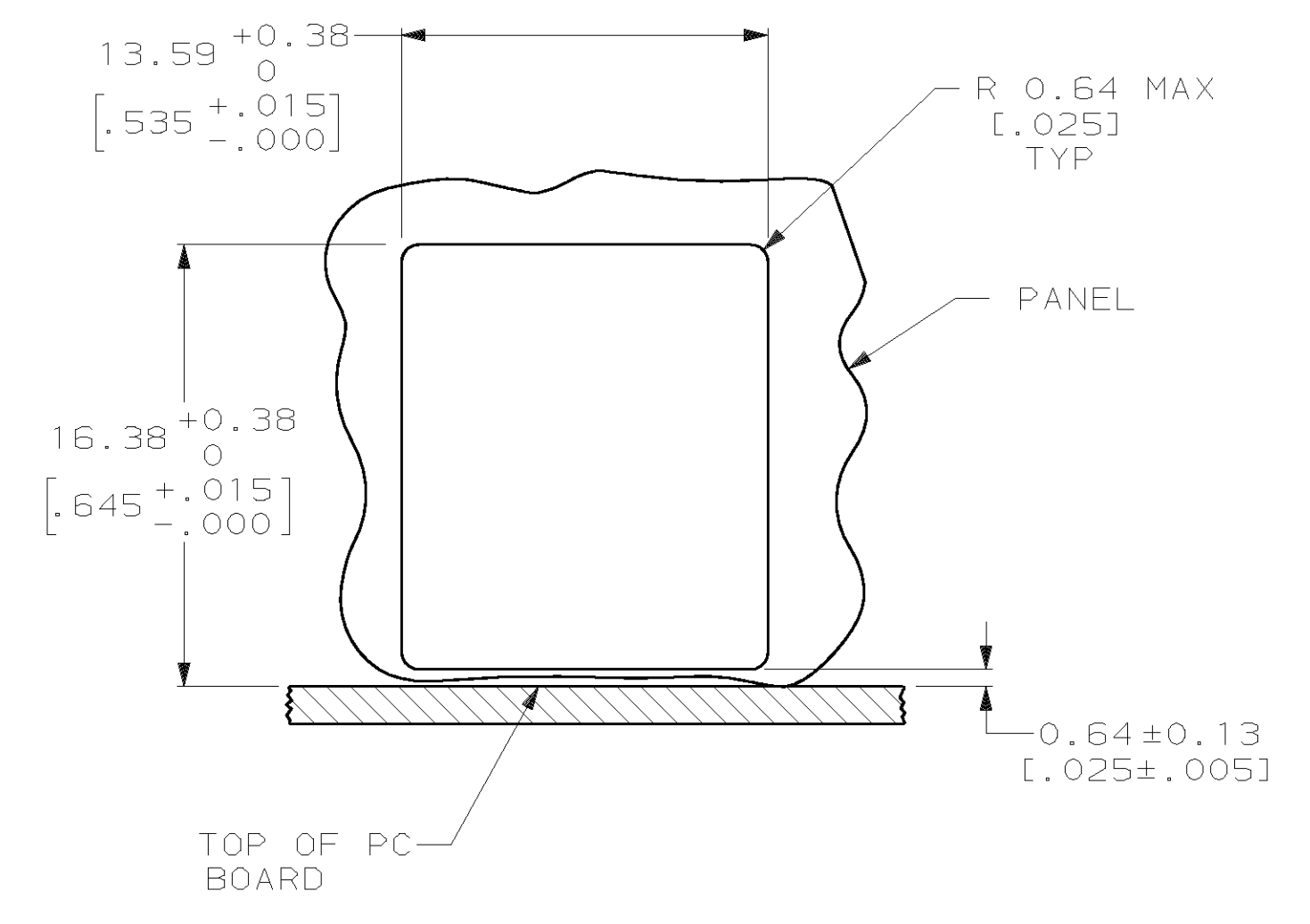


LOC	DIST	P	F	ZONE	LTR	DESCRIPTION	DATE	APPD
AA	22					D SUPERSEDED: -2; EC 0UFO-0006-01	20SEP01	DD LV

- 1 MATERIAL; HOUSING - PBT POLYESTER, BLACK
 TERMINALS - 0.36[.014] THICK PHOS-BRONZE
 PLATED WITH 1.27µm[.000050] MINIMUM THICK
 HARD GOLD IN LOCALIZED GOLD PLATE AREA
 AND 3.81µm[.000150] MINIMUM THICK TIN-LEAD
 IN SOLDER AREA OVER 1.27µm[.000050] MINIMUM
 THICK NICKEL UNDERPLATE.
- 2 ALL DIMENSIONS SHOWN ARE MAXIMUM
 UNLESS OTHERWISE SPECIFIED.
- 3. TERMINALS LOCATED IN CENTER POSITIONS.
- 4 CAVITY CONFORMS TO FCC RULES AND
 REGULATIONS PART 68 AND REA BULLETIN
 345-81 PE-76 SPECIFICATION FOR MODULAR
 TELEPHONE HARDWARE.
- 5 BULK PACKAGED IN A TRAY.
- 6 36 ASSEMBLIES PACKAGED PER TUBE.



PRINTED CIRCUIT BOARD LAYOUT
 NONCOMPONENT SIDE SHOWN



PANEL CUTOUT

SUPERSEDED BY 555979-1	555979-2
PACKAGED	PART NUMBER

DO NOT SCALE PRINT. UNLESS SPECIFIED DIMENSIONS IN mm [INCHES] TOLERANCES ON: 2 PLC DEC ± 3 PLC DEC ± ANGLES ±	DR 6-5-95 S. TUCKER CHK 6-5-95 B. FOX APPD 6-5-95 J. TONEY APPD 6-5-95 H. McGRATH	AMP Incorporated Harrisburg, PA 17105-3608 NAME MODULAR JACK ASSEMBLY, SIDE ENTRY, 6 POSITION/4 CONTACTS, FLANGELESS WITHOUT PANEL STOPS
MATERIAL	PRODUCT SPEC 108-1163	
FINISH	APPLICATION SPEC 114-2048	SIZE D CAGE CODE 00779 DRAWING NO. ©-555979 SCALE 4:1 SHEET 1 OF 1
THIS DRAWING IS A CONTROLLED DOCUMENT FOR AMP INCORPORATED. IT IS SUBJECT TO CHANGE AND THE CONTROLLING ENGINEERING ORGANIZATION SHOULD BE CONTACTED FOR THE LATEST REVISION.	WEIGHT -	CUSTOMER DRAWING