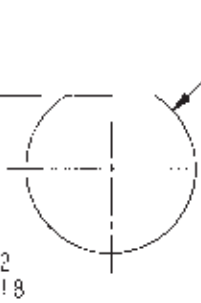
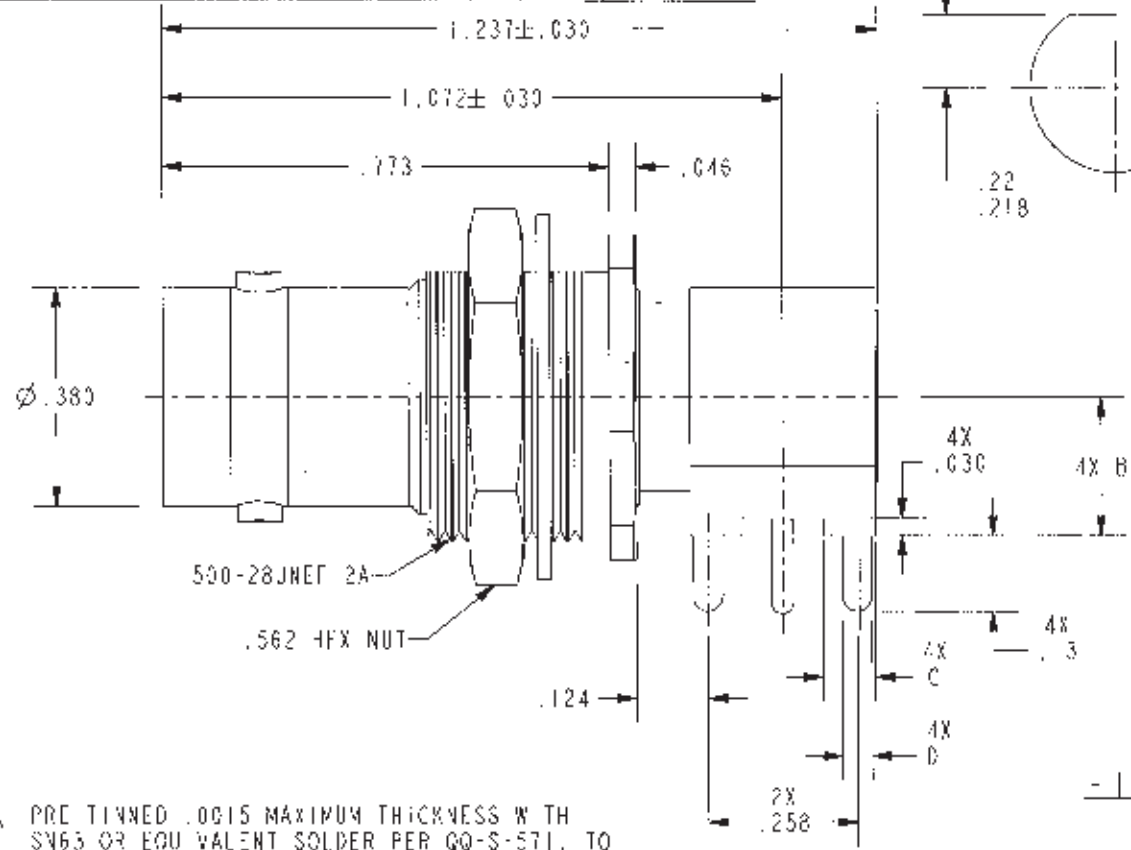


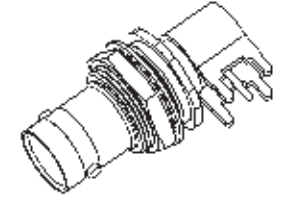
DASH NUMBER	MODEL NUMBER	LETTER CODE	MFD Ω	A DIA	B DIM	C DIM	D DIM	E DIA
-1	CBBJR26		50	.046	.24	.090	.050	.0625
-2	UCHBJR26		75	.029				
-3	CHBJR26A	A	50	.046	.34	.090	.058	.070
-4	JCBBJR26A		75	.029				

DATA CONTAINED IN THIS DOCUMENT IS PROPRIETARY TO TROMPETER ELECTRONICS INC. AND SHALL NOT BE DISCLOSED, COPIED OR REPRODUCED FOR PROCUREMENT OR MANUFACTURE WITHOUT EXPRESS WRITTEN PERMISSION.

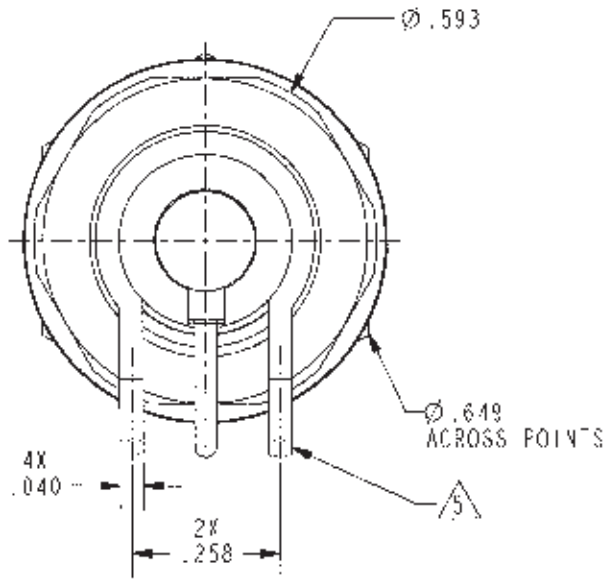
REVISIONS			
REV	DESCRIPTIONS	DATE	APPROVED
E	REVISED PER ECO .6623	7-18-08	<i>[Signature]</i>



RECOMMENDED PANEL CUTOUT SCALE 2/1



SCALE 1/1



-1 SHOWN

RED INDICATES ORIGINAL

5. PRE TINNED .0015 MAXIMUM THICKNESS WITH SV63 OR EQUIVALENT SOLDER PER QQ-S-571, TO WITHIN .0060 MAXIMUM OF SHOULDER AFTER PLATING

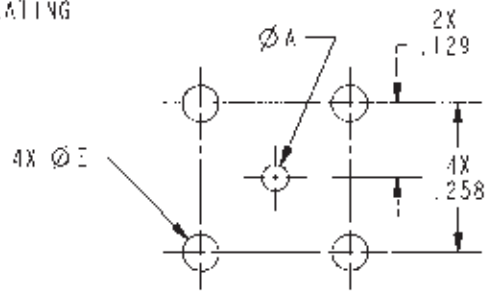
4. MAXIMUM PANEL THICKNESS .156
 3. EXAMPLE OF COMPLETE MODEL NUMBER:
CBBJR26 A

BASIC MODEL NUMBER LETTER CODE

2. FINISH: TFS-1A (NICKEL)

1. 50 & 75 Ω RIGHT ANGLE CIRCUIT BOARD AND INSULATED BULKHEAD MOUNTING BNC RECEPTACLE

NOTES UNLESS OTHERWISE SPECIFIED



RECOMMENDED MFG. HOLE PATTERN SCALE 3/1

INTERFACE DRAWING PER MIL-STD-100. DIMENSIONS ARE IN INCHES AND INCLUDE FINISH THICKNESS UNLESS OTHERWISE SPECIFIED.		TROMPETER RF connectivity <small>a cinch connectivity solutions brand</small>	
DATE: 5/15/06	BY: JMS	TITLE: L/CBBJR26/A	SCALE: 3/1
CHK: gm	DATE: 6-25-08	SIZE: A	CASE CODE: 14949
COM: [blank]	DATE: 7/17/08	DRAWING NO.: 1-0053	REV: E
DRY: [blank]	DATE: [blank]	SCALE: 3/1	DATE: 10-30-04
DATE: 1-0053	DATE: [blank]	SHEET: 1C	DATE: [blank]