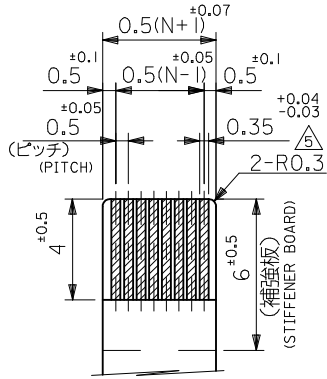


**注記 NOTES**

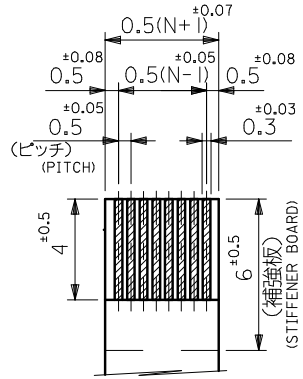
- 使用材料 : MATERIAL
  - ハウジング : ポリアミド(PA)、ナチュラル(白色)、ガラス充填、UL94V-0  
HOUSING : POLYAMIDE, NATURAL(WHITE), GLASS FILLED, UL94V-0
  - アクチュエータ : ポリフェニレンサルファイド(PPS)、黒色、ガラス充填、UL94V-0  
ACTUATOR : POLYPHENYLENE SULFID, BLACK, GLASS FILLED, UL94V-0
  - ターミナル : リン青銅 (t=0.2)  
TERMINAL : PHOSPHOR BRONZE (t=0.2)
  - 金具 : リン青銅 (t=0.2)  
FITTING NAIL : PHOSPHOR BRONZE (t=0.2)
- めっき仕様 PLATING
  - ターミナル TERMINAL
    - 錫銀ビスマスめっき(1.0 μm以上)
    - 下地: ニッケルめっき(1.0 μm以上)
  - TIN SILVER BISMUTH PLATING (1.0 MICROMETER MINIMUM)  
UNDER PLATE : NICKEL PLATING (1.0 MICROMETER MINIMUM)
  - 金具
    - 錫めっき(1.0 μm以上)
    - 下地: ニッケルめっき(1.0 μm以上)
  - TIN PLATING (1.0 MICROMETER MINIMUM)  
UNDER PLATE : NICKEL PLATING (1.0 MICROMETER MINIMUM)
- △ R.O. 3は、FPCの導体部にかからないこと。  
R.O.3 MUST NOT BE OVERLAPPED TO PATTERN OF FPC.
4. エンボステップ梱包時は、アクチュエータがロックした状態とする。  
IN THE PACKAGE, ACTUATOR OF PART NO.52435-\*\*\*22 SHOULD BE LOCKED.
- △ 偶数極に適用。  
APPLY FOR EVEN CIRCUIT.
- △ パターンはくり止め用金具。  
FITTING NAIL FOR PREVENTION OF PEELING OF P.C.B. PATTERN.
- △ ソルダータール半田付け面のズレ量、および金具半田付け面のズレ量は、基準面 H に対し上方向 0.1MAXIMUM、下方向 0.15MAXIMUM とし、相互のばらつきは0.1MAXIMUMとする。  
MISALIGNMENT OF SOLDER TAILS AND FITTING NAILS FROM H UPPER DIRECTION : 0.1MAXIMUM, LOWER DIRECTION : 0.15MAXIMUM OFFSET BETWEEN UPPER AND LOWER : 0.1MAXIMUM.
8. ELV 及びRoHS適合品  
ELV AND RoHS COMPLIANT

CONNECTOR SERIES NO. 52435-\*\*\*22

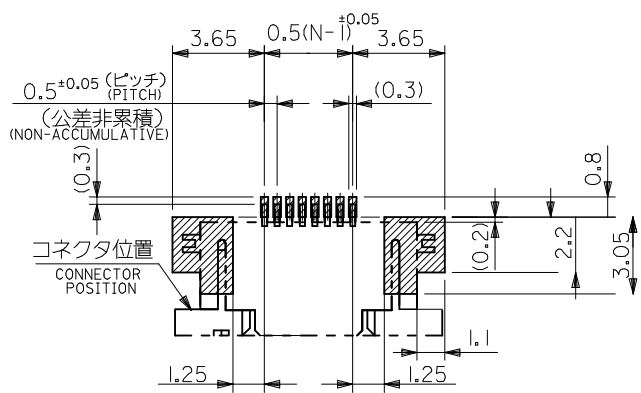
REVISED EC NO: J2014-0096 DRW: AISHI 2013/07/18 CHKD: TAKAHASHI 2013/07/18 APPR: YNOGAWA 2013/08/19	GENERAL TOLERANCES (UNLESS SPECIFIED)		DIMENSION STYLE MM ONLY	SCALE ---	DESIGN UNITS METRIC	THIRD ANGLE PROJECTION
	10 UNDER	±0.2	DRAWN BY NKONDO	DATE 2012/09/10	TITLE 0.5 FPC CONN ZIF R/A HOUSING ASSY (UPPER CONTACT)	
	10 OVER 30 UNDER	±0.25	CHECKED BY KTAKAHASHI	DATE 2012/09/10		
	30 OVER	±0.3	APPROVED BY KMORIKAWA	DATE 2013/03/15		
REV	DESCRIPTION	ANGULAR ±3 °	MATERIAL NO.	DOCUMENT NO.	SHEET NO.	
		DRAFT WHERE APPLICABLE MUST REMAIN WITHIN DIMENSIONS	SEE CHART	SD-52435-022		1 OF 2
			SIZE A3	THIS DRAWING CONTAINS INFORMATION THAT IS PROPRIETARY TO MOLEX INCORPORATED AND SHOULD NOT BE USED WITHOUT WRITTEN PERMISSION		



適合FPC推奨寸法  
APPLICABLE FPC  
RECOMMENDED DIMENSION.  
(仕上がり厚さ: 0.3 ±0.05)  
(THICKNESS: 0.3 ±0.05)



適合FFC推奨寸法  
APPLICABLE FFC  
RECOMMENDED DIMENSION.  
(仕上がり厚さ: 0.3 ±0.05)  
(THICKNESS: 0.3 ±0.05)



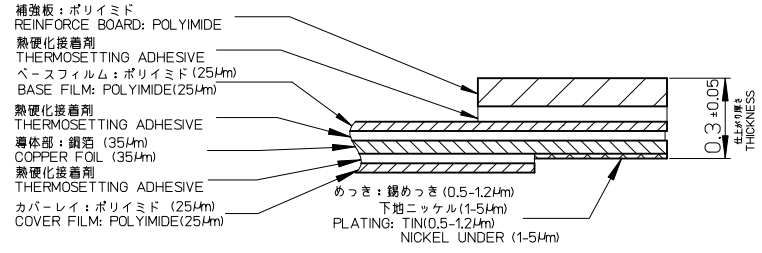
推奨基板レイアウト (マウント面)  
RECOMMENDED P.C.BOARD PATTERN DIMENSION (MOUNTING SIDE)  
マスク厚 : 100 μm  
マスク開口率 : 100%  
SCREEN THICKNESS : 100 μm  
SCREEN OPEN RATIO : 100%

FPCについて

補強フィルム材質はポリイミドを推奨します。ベースフィルムは25 μmを推奨します。  
接着剤は熱硬化接着剤を推奨します。  
尚、接着剤の接点部への付着は導通不良の原因になりますので、染み出しが無い様、お願い致します

ABOUT FPC

RECOMMENDED STIFFENER MATERIAL: POLYIMIDE  
RECOMMENDED BASE FILM THICKNESS: 25 MICROMETER  
RECOMMENDED ADHESIVE: THERMOSETTING ADHESIVE  
NOTE: PLEASE PUT APPROPRIATE AMOUNT OF ADHESIVE ON ADHEREND BECAUSE THERE IS A POSSIBILITY THAT THE EXTRA ADHESIVE CAUSES THE DEFECT IN ELECTRICAL CONTINUITY.



FPC構成推奨仕様  
STRUCTURE OF FPC

21.6	19.6	15.65	14.5	52435-3033	30
21.1	19.1	15.15	14.0	-2933	29
20.6	18.6	14.65	13.5	-2833	28
20.1	18.1	14.15	13.0	-2733	27
19.6	17.6	13.65	12.5	-2633	26
19.1	17.1	13.15	12.0	-2533	25
18.6	16.6	12.65	11.5	-2433	24
18.1	16.1	12.15	11.0	-2333	23
17.6	15.6	11.65	10.5	-2233	22
17.1	15.1	11.15	10.0	-2133	21
D	C	B	(A)	オーダー番号 ORDER NO.	極致 CXL

FPC/FFCについて

打ち抜き方向は導体側から補強板側を推奨します。  
導体部については軟箔銅35 μmまたは50 μmを推奨します。

ABOUT FPC/FFC

RECOMMENDED PUNCHING DIRECTION: FROM CONDUCTOR SIDE TO STIFFENER SIDE  
RECOMMENDED CONDUCTOR SPEC: SOFT COPPER FOIL  
RECOMMENDED CONDUCTOR THICKNESS: 35 MICROMETER OR 50 MICROMETER

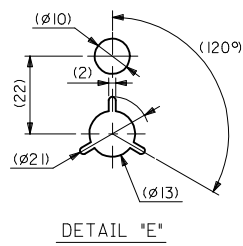
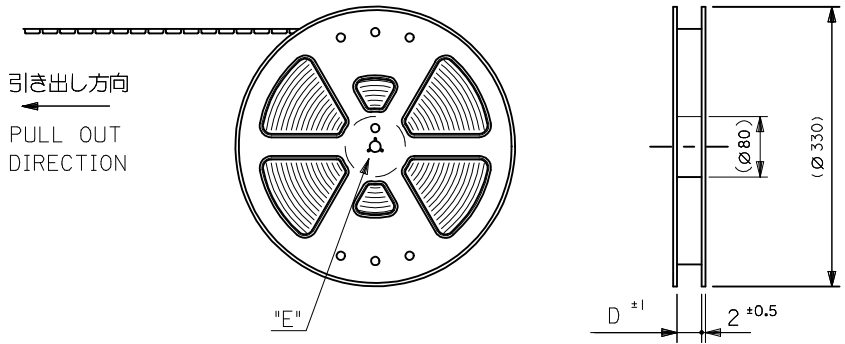
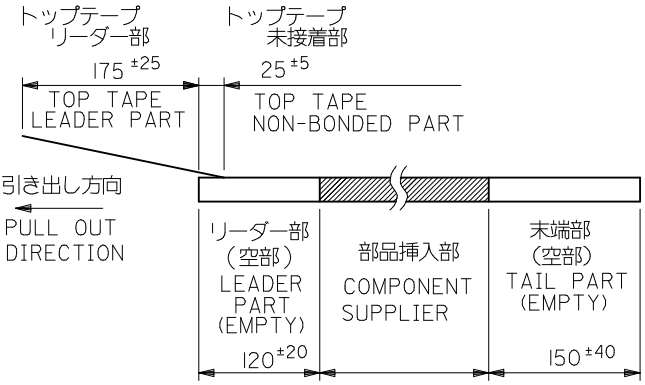
SEE SHEET 1 OF 2 EC NO: J2014-0096 DRAWN: AISHI 2013/07/18 CHKD: KAKAHASHI 2013/07/18 APPR: YNOGAWA 2013/08/19	GENERAL TOLERANCES (UNLESS SPECIFIED)	DIMENSION STYLE MM ONLY	SCALE ---	DESIGN UNITS METRIC	THIRD ANGLE PROJECTION
	10 UNDER ±0.2	DRAWN BY NKONDO	DATE 2012/09/10	TITLE 0.5 FPC CONN ZIF R/A HOUSING ASSY (UPPER CONTACT)	
	10 OVER 30 UNDER ±0.25	CHECKED BY KTAKAHASHI	DATE 2012/09/10		
	30 OVER ±0.3	APPROVED BY KMORIKAWA	DATE 2013/03/15		
ANGULAR ±3 °	DRAFT WHERE APPLICABLE MUST REMAIN WITHIN DIMENSIONS	MATERIAL NO. SEE CHART	DOCUMENT NO. SD-52435-022	SHEET NO. 2 OF 2	
		SIZE A3	THIS DRAWING CONTAINS INFORMATION THAT IS PROPRIETARY TO MOLEX INCORPORATED AND SHOULD NOT BE USED WITHOUT WRITTEN PERMISSION		

注記 NOTES

1. 製品番号 52435-\*\*22 の梱包状態はアクチュエータがロックした状態とする。  
 詳細寸法については図面 RSD-52435- 22 を参照下さい。  
 IN THE PACKAGE,ACTUATOR OF PART NO.52435-\*\*22 SHOULD BE LOCKED  
 RE DETAILED DIMENSIONS,SEE RSD-52435- 021

2. 梱包数量：1000個/リール  
 NUMBER OF CONNECTORS:1000PCS/REEL

3. リードテープ長さ LEAD TAPE LENGTH



4. トップテープの剥離強度については、IEC60286-3 に準拠  
 TOP TAPE PEEL FORCE IS DEFINED BY IEC60286-3.
5. 材料 (MATERIAL)  
 キャリアテープ (CARRIER TAPE) :ポリプロピレン (POLYPROPYLENE)  
 トップテープ (TOPTAPE) : PET, PE, PEF  
 リール (REEL) : ポリスチレン (PS) <リサイクル材を含む>  
 POLYSTYRENE (PS) <RECYCLE MATERIAL CONTAINED>
6. ELV及びRoHS適合品  
 ELV AND RoHS COMPLIANT

RELEASED EC NO.: J2013-1014 DRWN: NKONDO 2012/09/10 CHKD: KTAKAHASHI 2012/09/10 APPR: KMORIKAWA 2013/03/15	GENERAL TOLERANCES (UNLESS SPECIFIED)		DIMENSION STYLE MM ONLY		SCALE ---	DESIGN UNITS METRIC	THIRD ANGLE PROJECTION
	10 UNDER	±0.2	DRAWN BY NKONDO	DATE 2012/09/10	TITLE 0.5 FPC CONN ZIF SMT R/A WITH TAPE EMBSTP PKG		
	10 OVER 30 UNDER	±0.25	CHECKED BY KTAKAHASHI	DATE 2012/09/10			
	30 OVER	±0.3	APPROVED BY KMORIKAWA	DATE 2013/03/15			
0	ANGULAR ±3 °	MATERIAL NO. SEE CHART		DOCUMENT NO. SD-52435-023	SHEET NO. 1 OF 3		
	DRAFT WHERE APPLICABLE MUST REMAIN WITHIN DIMENSIONS	THIS DRAWING CONTAINS INFORMATION THAT IS PROPRIETARY TO MOLEX INCORPORATED AND SHOULD NOT BE USED WITHOUT WRITTEN PERMISSION					

F

E

D

C

B

A

F

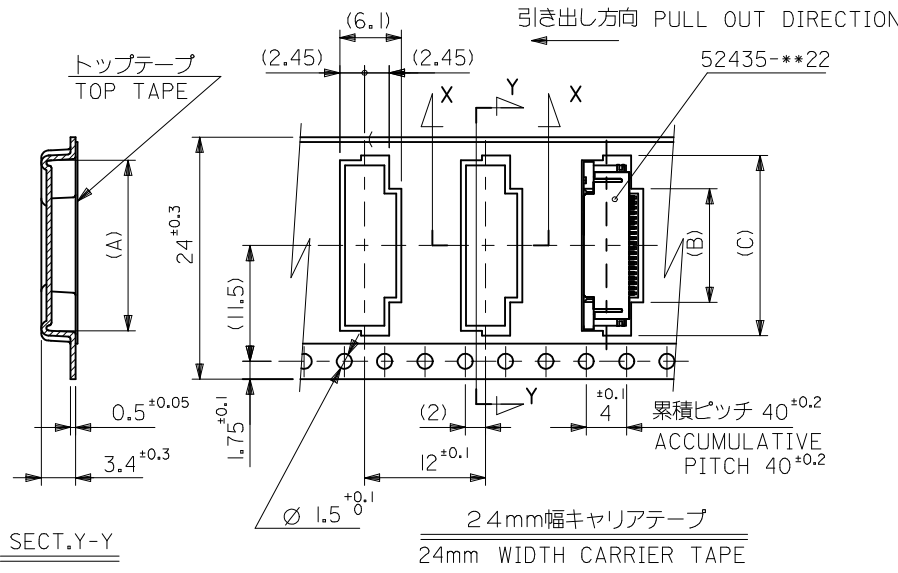
E

D

C

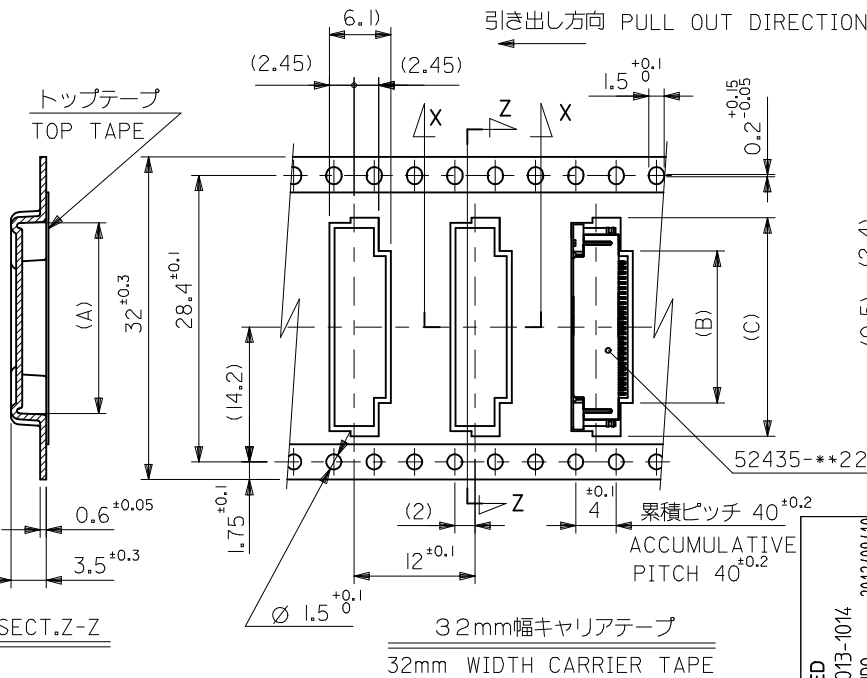
B

A

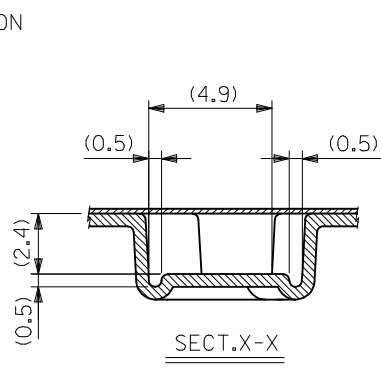


24mm 幅キャリアテープ  
24mm WIDTH CARRIER TAPE

引き出し方向 PULL OUT DIRECTION



32mm 幅キャリアテープ  
32mm WIDTH CARRIER TAPE



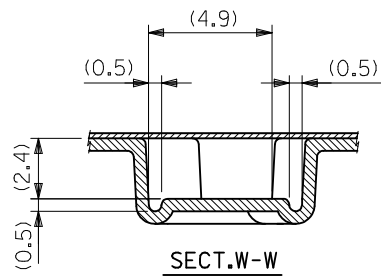
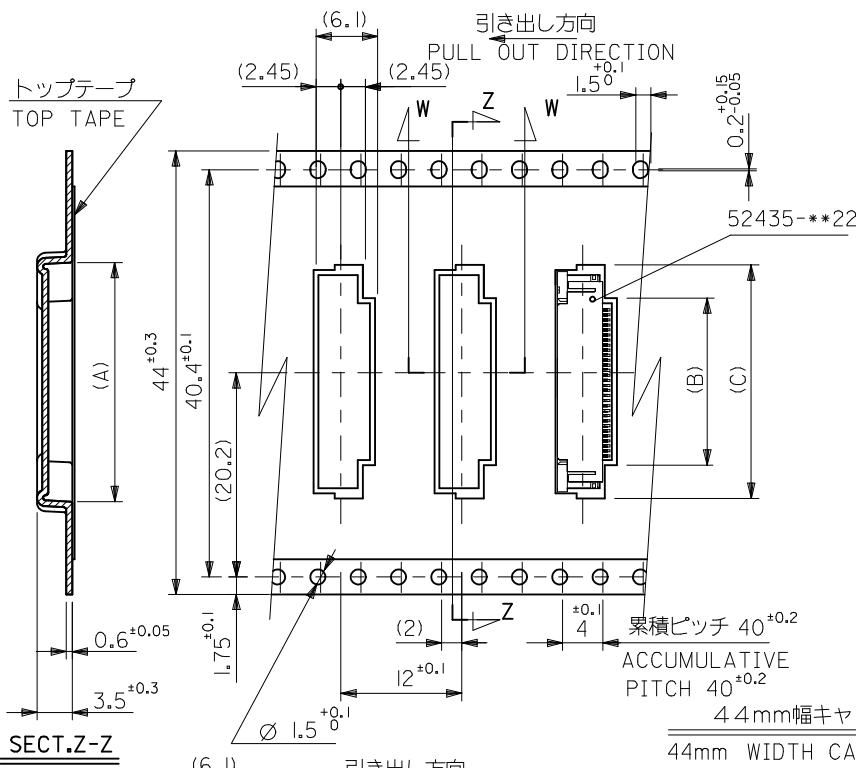
SECT.X-X

32	33.5	22.4	15.8	21.4	52435-2933	29
		21.9	15.3	20.9	-2833	28
		21.4	14.8	20.4	-2733	27
		20.9	14.3	19.9	-2633	26
		20.4	13.8	19.4	-2533	25
		19.9	13.3	18.9	-2433	24
		19.4	12.8	18.4	-2333	23
		18.9	12.3	17.9	52435-2233	22

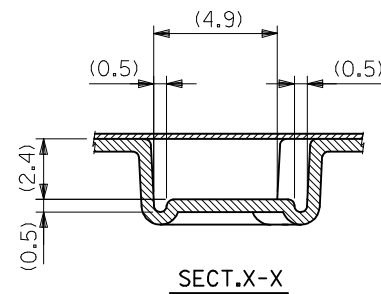
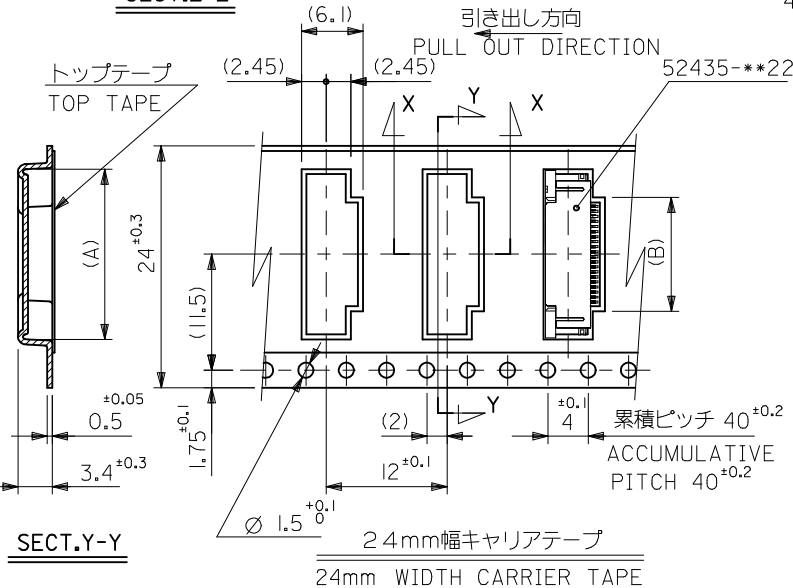
キャリアテープ幅 CARRIER TAPE WIDTH D (C) (B) (A) オーダー番号 ORDER NO. 極数 CIRCUIT

RELEASED	2013-1014	GENERAL TOLERANCES (UNLESS SPECIFIED)
EC NO. J2013-1014	2012/09/10	10 UNDER ±0.2
DRWN: NKONDO	2012/09/10	10 OVER 30 UNDER ±0.25
CHKD: TAKAHASHI	2012/09/10	30 OVER ±0.3
APPR: KMORIKAWA	2013/03/15	ANGULAR ±3 °
REV 0		DRAFT WHERE APPLICABLE MUST REMAIN WITHIN DIMENSIONS

DIMENSION STYLE	SCALE	DESIGN UNITS	THIRD ANGLE PROJECTION
MM ONLY	---	METRIC	☉
DRAWN BY	DATE	TITLE	
NKONDO	2012/09/10	0.5 FPC CONN ZIF SMT R/A WITH TAPE EMBSTP PKG	
CHECKED BY	DATE	molex	
KTAKAHASHI	2012/09/10		
APPROVED BY	DATE	DOCUMENT NO.	SHEET NO.
KMORIKAWA	2013/03/15	SD-52435-023	2 OF 3
MATERIAL NO.	THIS DRAWING CONTAINS INFORMATION THAT IS PROPRIETARY TO MOLEX INCORPORATED AND SHOULD NOT BE USED WITHOUT WRITTEN PERMISSION		
SEE CHART			



44	45.5	22.9	16.3	21.9	52435-3033	30
キャリアテープ幅 CARRIER TAPE WIDTH	D	(C)	(B)	(A)	オーダー番号 ORDER NO.	極数 CIRCUIT



24	25.5	11.8	17.4	52435-2133	21
キャリアテープ幅 CARRIER TAPE WIDTH	D	(B)	(A)	オーダー番号 ORDER NO.	極数 CIRCUIT

RELEASED EC NO: J2013-1014 DRWN: NKONDO 2012/09/10 CHKD: TAKAHASHI 2012/09/10 APPR: KMORIKAWA 2013/03/15	DESCRIPTION GENERAL TOLERANCES (UNLESS SPECIFIED) 10 UNDER ±0.2 10 OVER 30 UNDER ±0.25 30 OVER ±0.3 ANGULAR ±3 ° DRAFT WHERE APPLICABLE MUST REMAIN WITHIN DIMENSIONS	DIMENSION STYLE MM ONLY	SCALE ---	DESIGN UNITS METRIC	THIRD ANGLE PROJECTION		
		DRAWN BY NKONDO	DATE 2012/09/10	TITLE 0.5 FPC CONN ZIF SMT R/A WITH TAPE EMBSTP PKG			
		CHECKED BY KTAKAHASHI	DATE 2012/09/10	MATERIAL NO. SEE CHART			
		APPROVED BY KMORIKAWA	DATE 2013/03/15	DOCUMENT NO. SD-52435-023	SHEET NO. 3 OF 3		