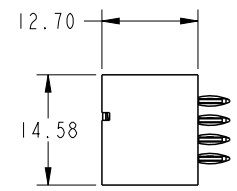
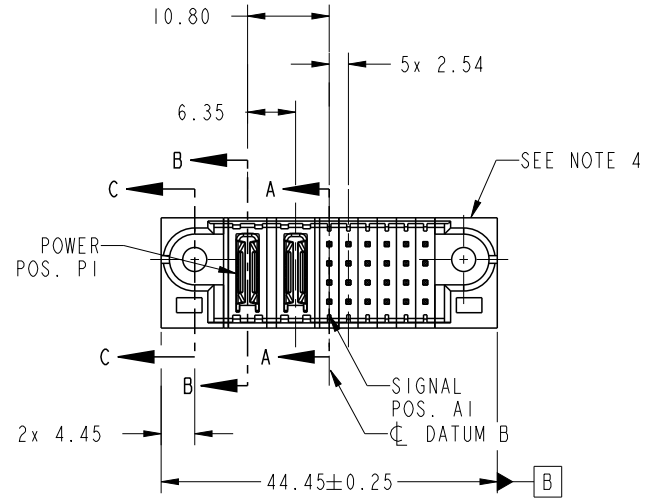


PRODUCT NO.	ROWS	POWER			SIGNAL						E2
		E1	P1	P2	1	2	3	4	5	6	
51710-056-- NOTE ③	D C B A		PC	PC	G	G	G	G	G	G	G



CODE	DIM "M" MATING LENGTH	CONTACT TYPE
PC	[N/A]	POWER
G	[6.86]	SIGNAL
K	[5.59]	SIGNAL

spec ref	See Notes			dr	Luo Weller	2012/12/12	projection 	MM ←→	size	A4	scale	1:1	
tolerance std	TOLERANCES UNLESS OTHERWISE SPECIFIED			eng	Luo Weller	2012/12/20			ecn no	-			
See Notes				chr	-	-							
surface	linear	0.X	±0.50	appr	Pei-Ming Zheng	2012/12/20	product family	PwrBlade	rel level	Released			
		0.XX	±0.25				title	2P+24S		dwg no	51710-056	rev	A
		0.XXX	±0.10				www.fci.com	cat. no.	&model_name				
	angular	0°	±2°										

ProjE File - REV C - 2009-06-09

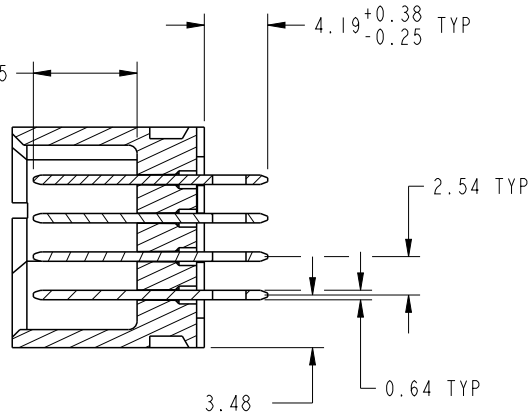


Copyright FCI.

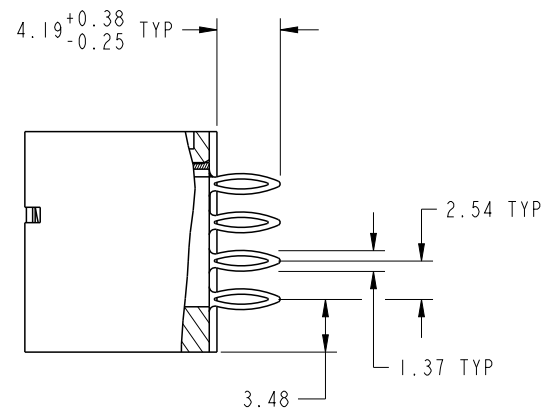
PRODUCT NUMBER

51710-056--  
NOTE 3

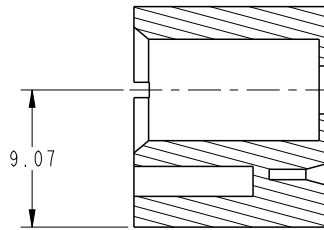
DIM "M" ±0.25



SECTION A-A  
SCALE 2:1



SECTION B-B  
SCALE 2:1

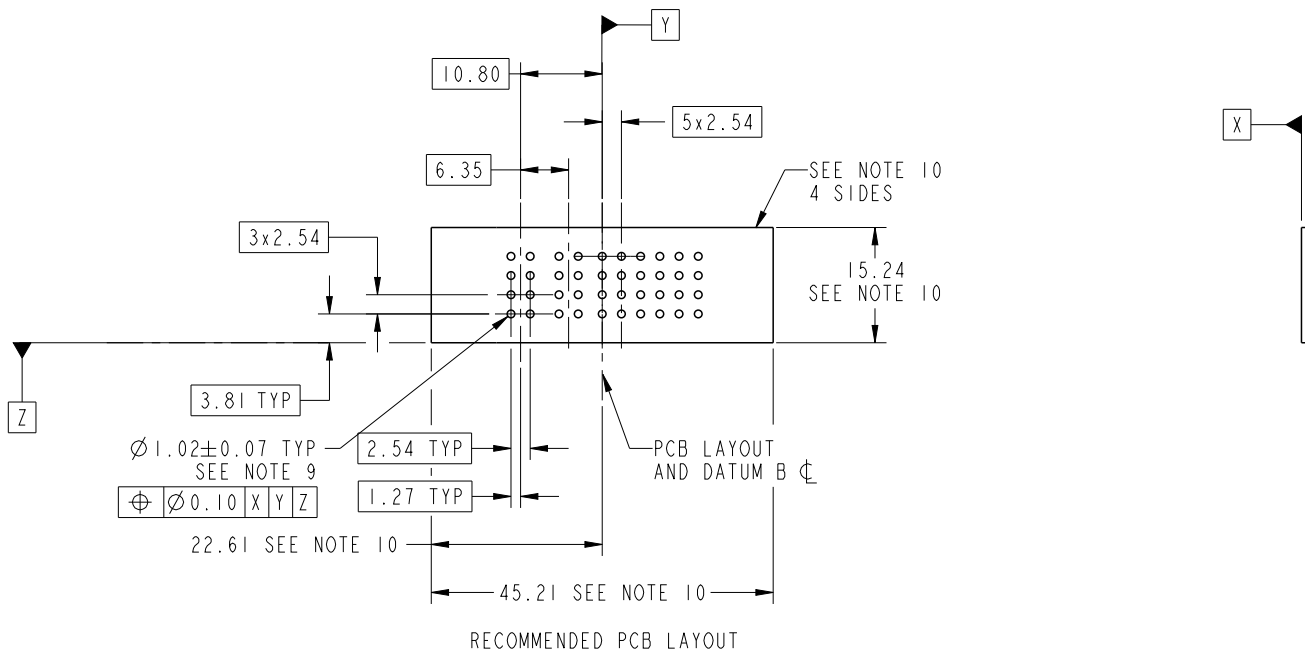


SECTION C-C  
SCALE 2:1

dr	Luo Weller	2012/12/12	projection 	MM 	size	A4	scale	1:1
eng	Luo Weller	2012/12/20			ecn no	-		
chr	-	-			rel level	Released		
appr	Pei-Ming Zheng	2012/12/20	product family	PwrBlade	rev	A		
	title	2P+24S VERTICAL PRESS_FIT HEADER		dwg no	51710-056			
www.fci.com	cat. no.	&model_name	Product - Customer Drw		sheet 2 of 4			

PRODUCT NUMBER

51710-056\_\_  
NOTE 3



dr	Luo Weller	2012/12/12	projection 	MM 	size	A4	scale	1:1	
eng	Luo Weller	2012/12/20			ecn no	-			
chr	-	-			rel level	Released			
appr	Pei-Ming Zheng	2012/12/20	product family	PwrBlade					
		title	2P+24S VERTICAL PRESS_FIT HEADER		dwg no	51710-056		rev	A
www.fci.com		cat. no.	&model_name	Product - Customer Drw		sheet 3 of 4			

PRODUCT NUMBER

51710-056\_\_  
NOTE 3

NOTES:

1. DIMENSIONS AND TOLERANCES ARE IN ACCORDANCE WITH ASME Y14.5M, 1994 UNLESS OTHERWISE SPECIFIED.

CONNECTOR NOTES:

- 2 HOUSING MATERIAL: UL 94 V-0 GLASS FILLED HIGH-TEMP THERMOPLASTIC  
POWER CONTACT MATERIAL: COPPER ALLOY  
SIGNAL PIN MATERIAL: COPPER ALLOY
- 3. SEE ITEM 3 & 4 IN PRINT 10064183 FOR PLATING SPEC OF 51710-056 AND 51710-056LF RESPECTIVELY.

4 MANUFACTURER'S NAME, DATE CODE AND OPTIONAL P/N TO APPEAR ON THIS SURFACE. THE MARK CAN BE OMITTED IF THERE IS NOT ENOUGH SPACE ON THIS SURFACE.

5. PRODUCT SPECIFICATION GS-12-149.  
APPLICATION SPECIFICATION BUS-20-067.

6. PACKAGED IN TRAYS.

PCB NOTES:

- 7. ALL HOLE DIAMETERS ARE FINISHED HOLE SIZE.
- 8. MOUNTING HOLES, WHERE APPLICABLE, ARE UNPLATED.

9  $\varnothing 1.151 \pm 0.025$  DRILLED HOLES PLATED WITH 0.008 MIN SnPb OR Sn OVER .001 [0.03] TO 0.08 Cu PLATING TO ACHIEVE  $\varnothing 1.02 \pm 0.07$  HOLE.

10 CONNECTOR KEEP-OUT ZONE.

11. FOR PRESS FIT APPLICATION USE FCI CAM TOOL 430169-XXX.



Copyright FCI.

dr	Luo Weller	2012/12/12	projection 	MM 	size	A4	scale	1:1		
eng	Luo Weller	2012/12/20			ecm no	-				
chr	-	-			product family	PwrBlade	rel level	Released		
appr	Pei-Ming Zheng	2012/12/20	FCI		title	2P+24S	dwg no	51710-056	rev	A
www.fci.com		cat. no.	&model_name	Product - Customer Drw		sheet 4 of 4				