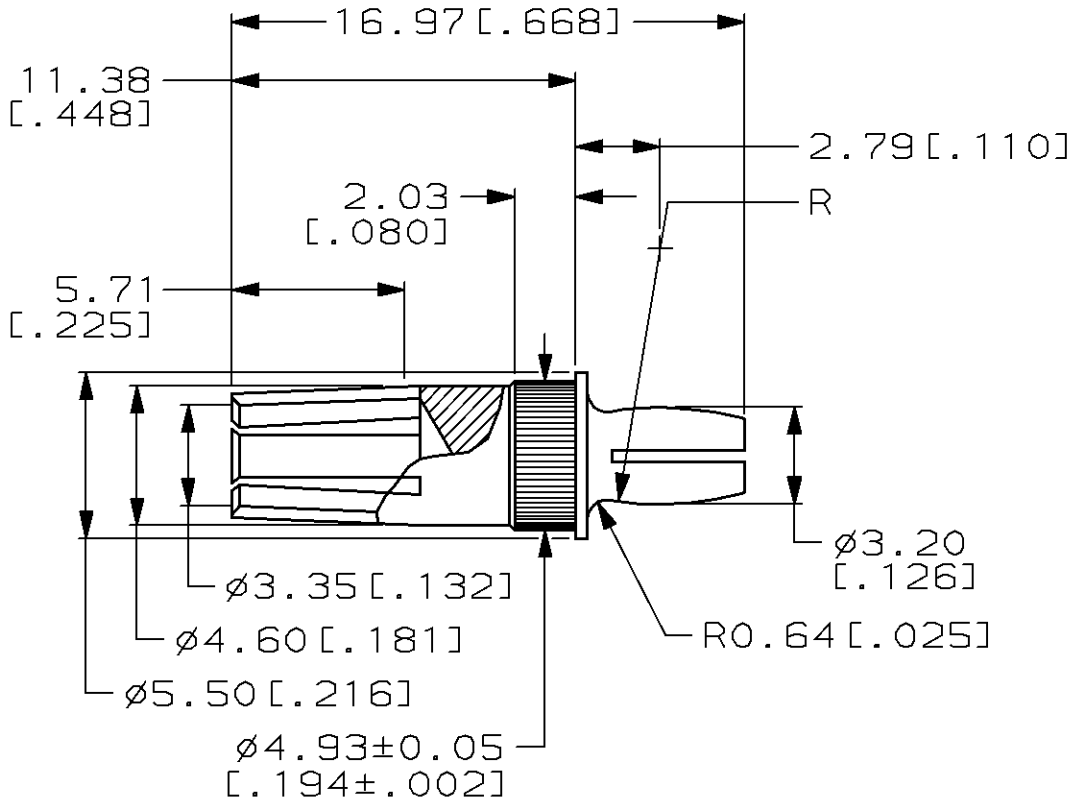


LOC AD	DIST 25	REVISIONS			
P	LTR	DESCRIPTION	DATE	DWN	APVD
	0	DRAWN; WAS 97-7200-019	-	-	-
	A	EC 0620-0177-98	9/29/98	LSB	RAP



0.00076 [.000030] GOLD	CONTACT; BERYLLIUM COPPER	148373-1
FINISH	MATERIAL	PART NUMBER

DIMENSIONS: mm	DWN L. BRINER 4/15/97	MATERIAL -	FINISH -
	CHK R. PATTERSON 4/15/97	AMP AMP Incorporated Harrisburg, PA 17105-3608	
TOLERANCES UNLESS OTHERWISE SPECIFIED:	APVD R. PATTERSON 4/15/97		
0 PLC ±-	PRODUCT SPEC	NAME POWER CONTACT, FEMALE, PRESS FIT	
1 PLC ±-	APPLICATION SPEC	SIZE	CAGE CODE
2 PLC ±0.13 [.005]		3 PLC ±-	DRAWING NO
3 PLC ±-	4 PLC ±-	A4	00779
4 PLC ±-	ANGLES ±-	C=1	48373
WEIGHT	CUSTOMER DRAWING	SCALE	SHEET
		4:1	1 OF 1
			REV A

RELEASED FOR PUBLICATION

ALL RIGHTS RESERVED. BY AMP INCORPORATED. COPYRIGHT 19