

Check valves VBNF

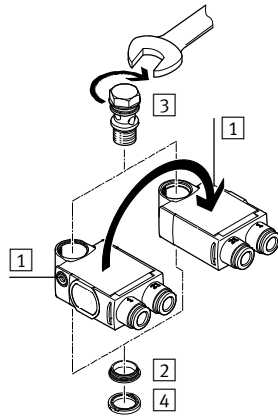


Check valves VBNF

Key features and product range overview

Features

- Minimal height
- High flow rate
- Can be rotated horizontally through 360° in assembled state
- Actuation direction **1** can be changed by repositioning the housing



Note

The following sequence must be observed when assembling the individual components:

- 1) Press thrust ring **2** into the housing until it fits tightly.
- 2) Insert hollow bolt **3** into the opening.
- 3) Push sealing ring OK **4** over the thread of the hollow bolt.

Product range overview

Function	Valve function	Design	Type	Pneumatic connection 1	Pneumatic connection 2	qnN [l/min]	→ Page/ Internet
Check valves	Flat design						
	Piloted non-return function		VBNF	QS-6, QS-8	G1/8, G1/4	260 ... 620	3
	Compact design						
	Non-return function		H	QS-4, QS-6, QS-8, QS-10, QS-12	QS-4, QS-6, QS-8, QS-10, QS-12	136 ... 1,715	h-qs
				M5, G1/8, G1/4, G3/8, G1/2, G3/4	M5, G1/8, G1/4, G3/8, G1/2, G3/4	115 ... 5,900	h
	Non-return function		HA	M5, R1/8, R1/4, R3/8, R1/2	QS-4, QS-6, QS-8, QS-10, QS-12	138 ... 2,230	ha
HB			QS-4, QS-6, QS-8, QS-10, QS-12	M5, R1/8, R1/4, R3/8, R1/2	142 ... 2,206	hb	
Piloted check valves	Compact design						
	Piloted non-return function		HGL	QS-4, QS-6, QS-8, QS-10, QS-12	M5, G1/8, G1/4, G3/8, G1/2	130 ... 1,400	hgl
				M5, G1/8, G1/4, G3/8, G1/2	M5, G1/8, G1/4, G3/8, G1/2	130 ... 1,600	hgl

Check valves VBNF

Type codes

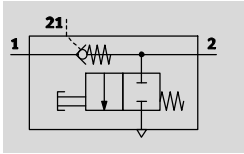
		VBNF	-	L	BA	-	G18	-	Q6
Type									
VBNF	Check valve, flat design								
Design									
L	L-shaped outlet								
Additional function									
BA	Piloted non-return function, manual exhaust function								
Pneumatic connection 2									
G18	Thread G $\frac{1}{8}$								
G14	Thread G $\frac{1}{4}$								
Pneumatic connection 1									
Q6	Push-in connector QS-6								
Q8	Push-in connector QS-8								

Check valves VBNF

Technical data



Piloted non-return function



- - Standard nominal flow rate
260 ... 620 l/min
- - Temperature range
-10 ... +60 °C
- - Operating pressure
0.2 ... 10 bar



The check valve VBNF-LBA is a valve with a piloted non-return function and a manual exhaust function. The piloted non-return function can be

used for a temporary intermediate stop. If a pilot signal is applied, the exhaust air can escape. If no pilot

signal is applied, the valve shuts off the exhaust air from the drive and the drive stops temporarily.

The integrated manual exhaust function can be used to manually vent a pneumatic drive.

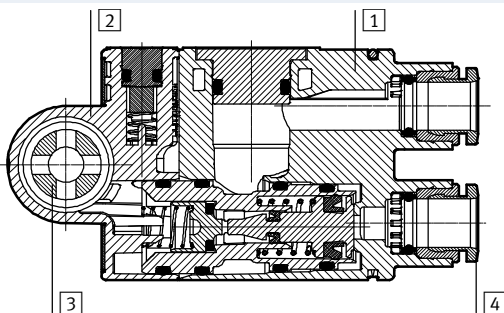
General technical data		
Valve function	Piloted non-return function	
Pneumatic connection 2	G $\frac{1}{8}$	G $\frac{1}{4}$
Pneumatic connection 1	QS-6	QS-8
Pilot air connection 21	QS-6	QS-8
Type of actuation, piloted non-return function	Pneumatic	
Manual exhaust function	Non-detenting	
Type of mounting	Screw-in	
Mounting position	Any	
Switching time	Off [ms]	9
	On [ms]	6
Nominal tightening torque	[Nm]	3 ±20%
		11 ±20%
Rotatability	[°]	360 (continuous rotation not permitted)

Operating and environmental conditions		
Operating pressure	[bar]	0.2 ... 10
Pilot pressure	[bar]	2 ... 10
Operating/pilot medium		Compressed air according to ISO 8573-1:2010 [7:4:4]
Note on operating/pilot medium		Lubricated operation possible (in which case lubricated operation will always be required)
Ambient temperature	[°C]	-10 ... +60
Temperature of medium	[°C]	-10 ... +60
Storage temperature	[°C]	-20 ... +70
Corrosion resistance class CRC ¹⁾		2

1) Corrosion resistance class CRC 2 to Festo standard FN 940070
Moderate corrosion stress. Indoor applications in which condensation may occur. External visible parts with primarily decorative requirements for the surface and which are in direct contact with the ambient atmosphere typical for industrial applications.

Materials

Sectional view



Check valve		
1	Housing	PBT
2	End cap	PBT
3	Hollow bolt	Wrought aluminium alloy
4	Releasing ring	POM
-	Cover	ES-BE
-	Seals	NBR
Note on materials		RoHS-compliant

Check valves VBNF

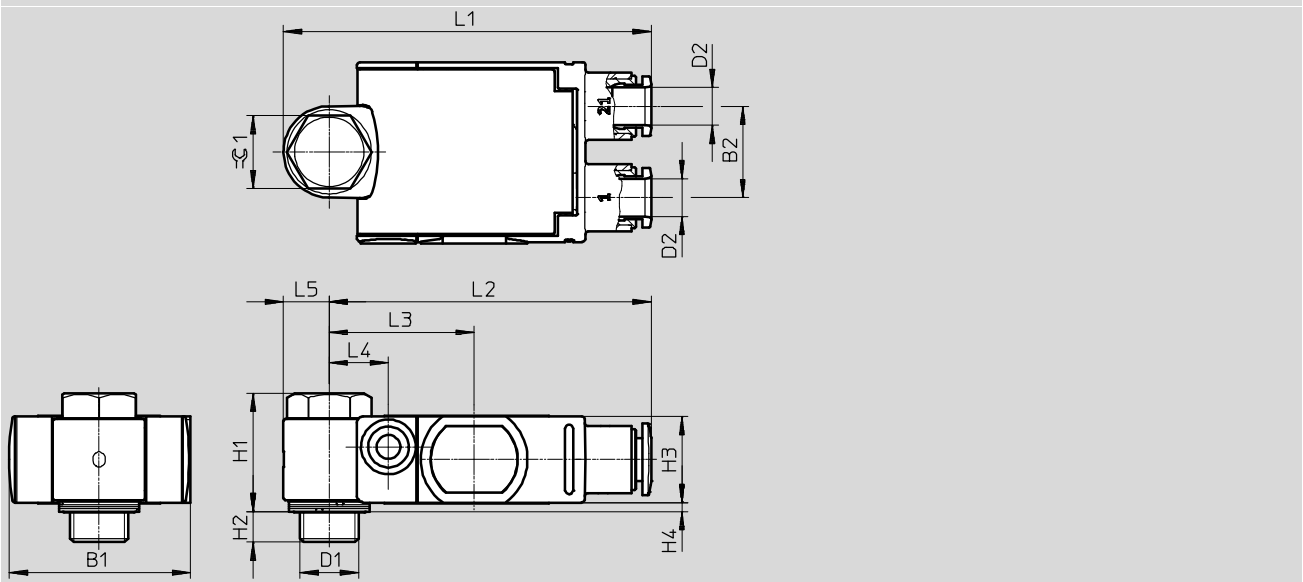
Technical data

Minimum pilot pressure p21 as a function of operating pressure p1



Dimensions

Download CAD data → www.festo.com



Type	Connection D1	Tubing O.D. D2	B1	B2	H1	H2	H3	H4	L1	L2	L3	L4	L5	⌀1
VBNF...-G18-Q6	G1/8	QS-6	29.8	15	19.4	5	14.1	1.5	60.3	52.8	23.8	9.7	7.5	12
VBNF...-G14-Q8	G1/4	QS-8	39.5	20.5	28.2	5.6	21	2	76.8	66.8	30	11.1	10	15

Ordering data

Design	Pneumatic connection		Pilot air connection	Standard nominal flow rate qnN at 6 bar → 5 bar	Standard flow rate qN at 6 bar → 0 bar	Weight	Part No.	Type
	2	1	21	[l/min]	[l/min]	[g]		
	G1/8	QS-6	QS-6	260	500	27.3	8001460	VBNF-LBA-G18-Q6
	G1/4	QS-8	QS-8	620	1,100	65.5	1927027	VBNF-LBA-G14-Q8

Festo - Your Partner in Automation



1 Festo Inc.
5300 Explorer Drive
Mississauga, ON L4W 5G4
Canada

Festo Customer Interaction Center
Tel: 1 877 463 3786
Fax: 1 877 393 3786
Email: customer.service.ca@festo.com

2 Festo Pneumatic
Av. Ceylán 3,
Col. Tequesquináhuac
54020 Tlalnepantla,
Estado de México

Multinational Contact Center
01 800 337 8669
ventas.mexico@festo.com

3 Festo Corporation
1377 Motor Parkway
Suite 310
Islandia, NY 11749

Festo Customer Interaction Center
1 800 993 3786
1 800 963 3786
customer.service.us@festo.com

4 Regional Service Center
7777 Columbia Road
Mason, OH 45040

Connect with us



www.festo.com/socialmedia



www.festo.com

Subject to change