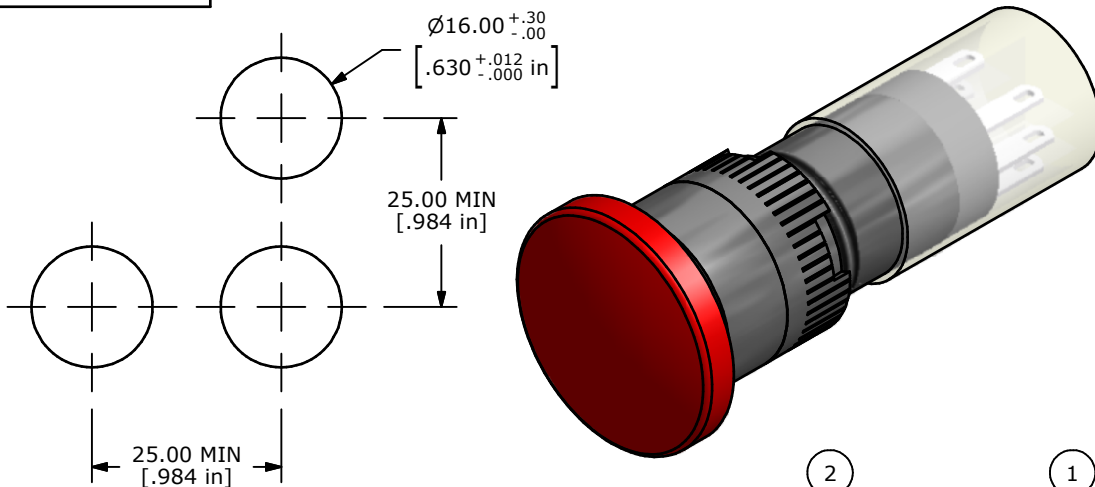
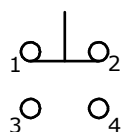


PARTS LIST

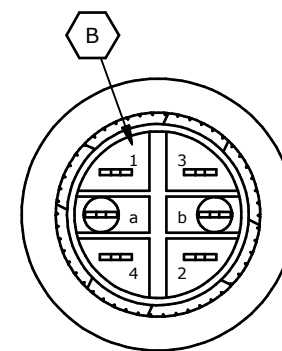
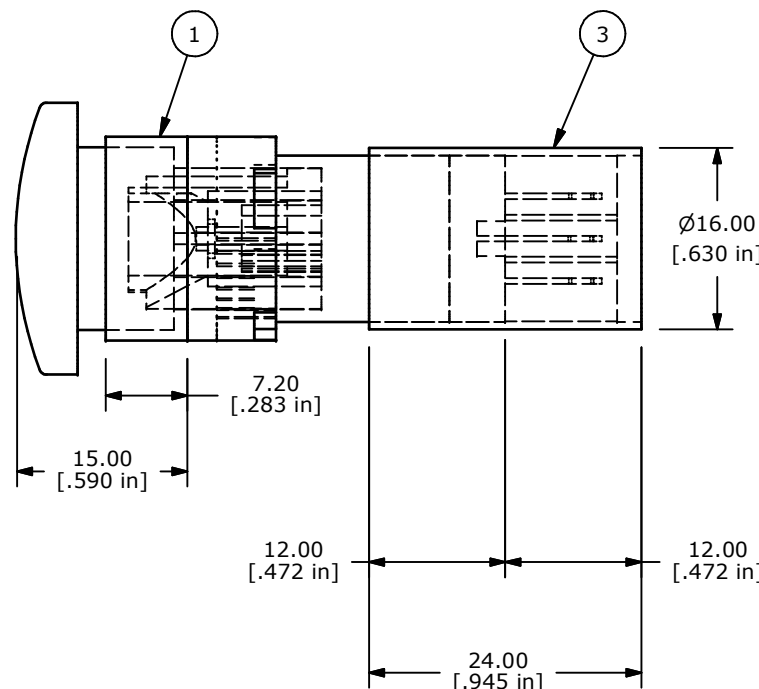
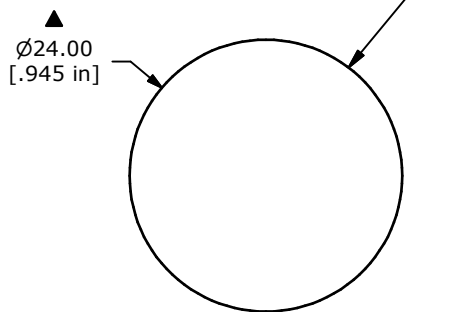
ITEM	QTY	PART NUMBER	DESCRIPTION
1	1	F040014	P16OAR11
2	1	F051202	50-012-02 RED MUSHROOM HEAD
3	1	F051601	P16 PLASTIC TERMINAL PROTECTOR



PANEL MOUNTING



SPDT CONTACT CONFIGURATION



- NOTE:
1. ALL DIMENSIONS IN MM [INCH]
 2. GENERAL TOLERANCE: X.X=±0.4
X.XX=±0.25
 3. TERMINAL NUMBERS FOR REF ONLY
 4. MECHANICAL LIFE: 2,000,000 OPERATIONS
 5. INSULATION RESISTANCE: 1,000 MILLI-OHM MIN.
 6. OPERATING TEMP.: -25°C to 70°C
 - ▲ 7. LAMP VOLTAGE: NO LAMP
 8. ▲ DENOTES CRITICAL PARAMETER.
 9. TERMINALS "a" AND "b" SERVE NO ELECTRICAL FUNCTION



A	21388	ADD TERMINAL NUMBERS	2/27/14	EBP
A	14467	RELEASED FOR PRODUCTION	11/8/04	AR
REV	PCR NO	DESCRIPTION	DATE	BY

TITLE P16OAR10RED				
SCALE 2:1	DATE 11/8/2004	DR AR	DWG XF0612P	REV B

THE INFORMATION CONTAINED IN THIS DOCUMENT IS PROPRIETARY TO E-SWITCH AND IS NOT TO BE COPIED OR TRANSFERRED