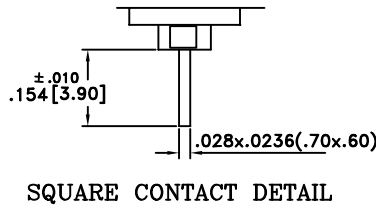
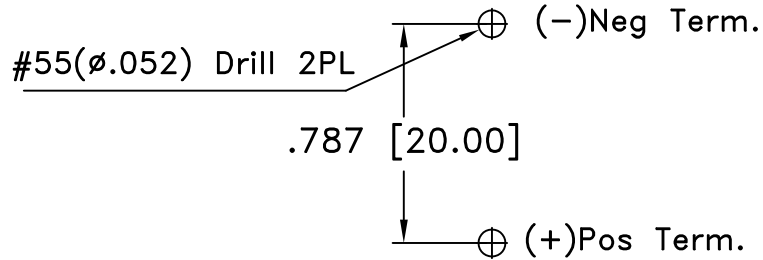
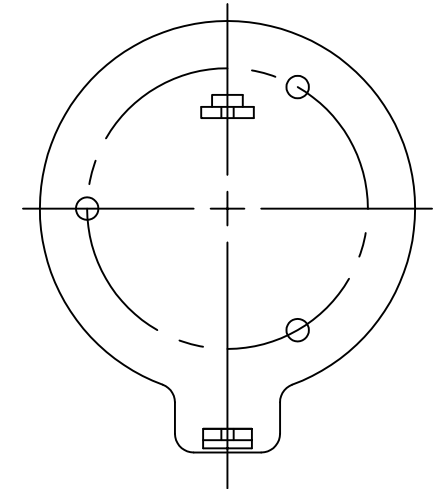
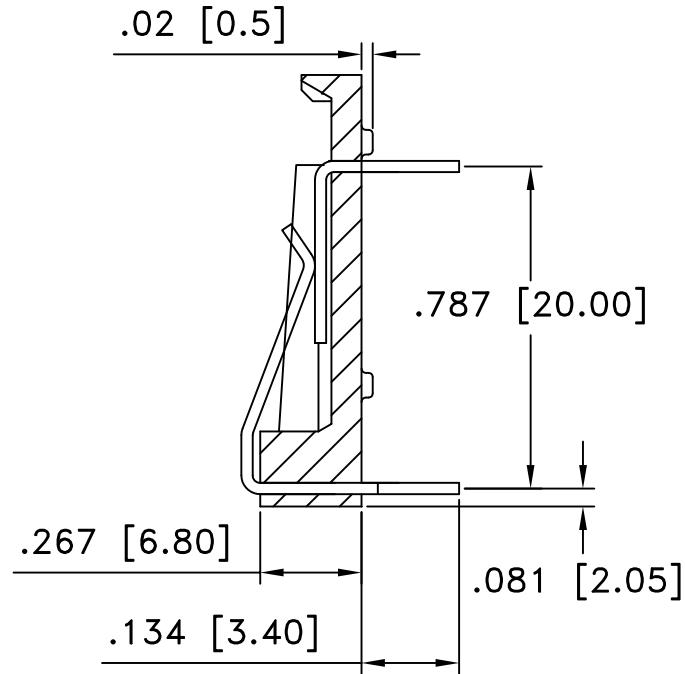
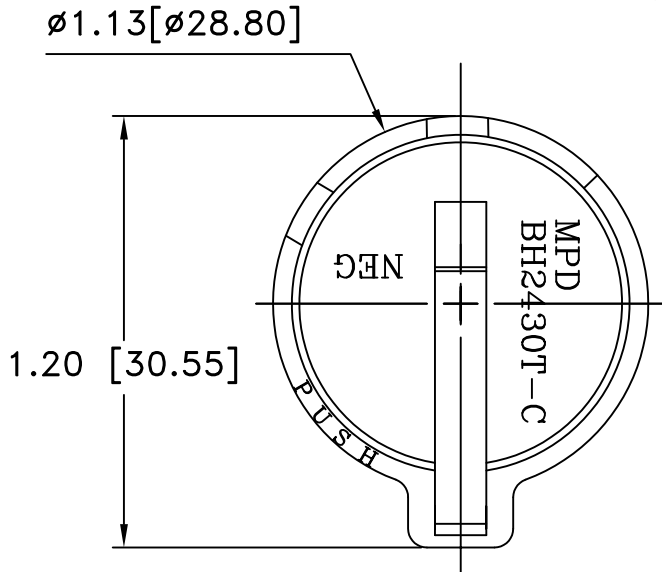


PCB LAYOUT



Date	SYM	REVISION RECORD	AUTH	DR.	CK.
07/10/04	A	ADDED UL FILE # AND TEMP. RANGE	T.B.	B.S.	
10/01/05	B	ADDED CONTACT DETAILS MAT. THICKNESS WAS .020"	T.B.	B.S.	
1/28/06	C	ADDED "ROHS COMPLIANT" MAT. WAS 30% G/F, BLACK	T.B.	B.S.	
1/11/08	D	Dim. .154 was .204 Dim. .028 was .025	T.B.	B.S.	




SPECIFICATIONS

*Holder material- Nylon 66 33% G/F, UL94V-HB
UL File No. E41938

*Contacts :
Positive: 0.0236" thick PHOS-BRONZE, Nickel Plated.
Negative: 0.0236" thick spring tempered Stainless Steel, Nickel Plated.

Temperature Range: -40°C to +235°C

*ROHS COMPLIANT

Tolerance (Except as noted)	 Memory protection Devices, Inc 200 Broad Hollow Road, Farmingdale, New York 11735		
decimal ±.5 (.020)	Scale	Drawn By B.S. Approved By T.B.	
Fractional ± .8 (.030)	Title BATTERY HOLDER FOR CR2430 CELLS		
Angular ± 3°	Date 1/11/08	Drawing Number BH2430T-C-HITE	