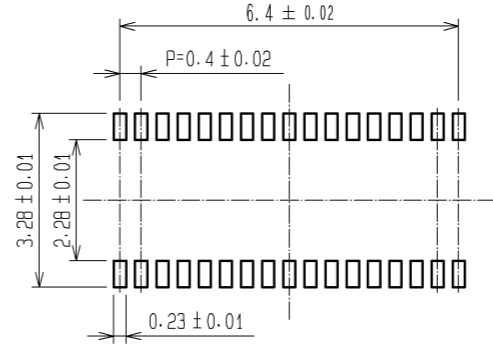
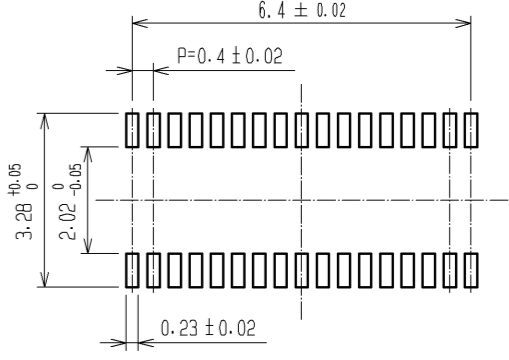


RECOMMENDED METAL MASK  
OPENING PATTERN

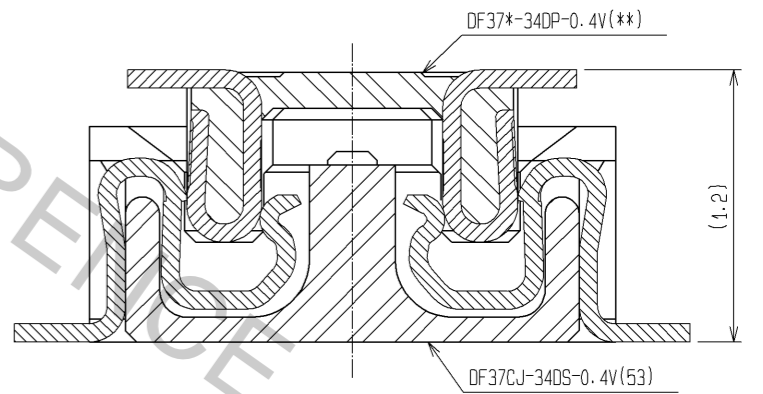


RECOMMENDED SOLDER PASTE: THICKNESS 120µm

RECOMMENDED PATTERN

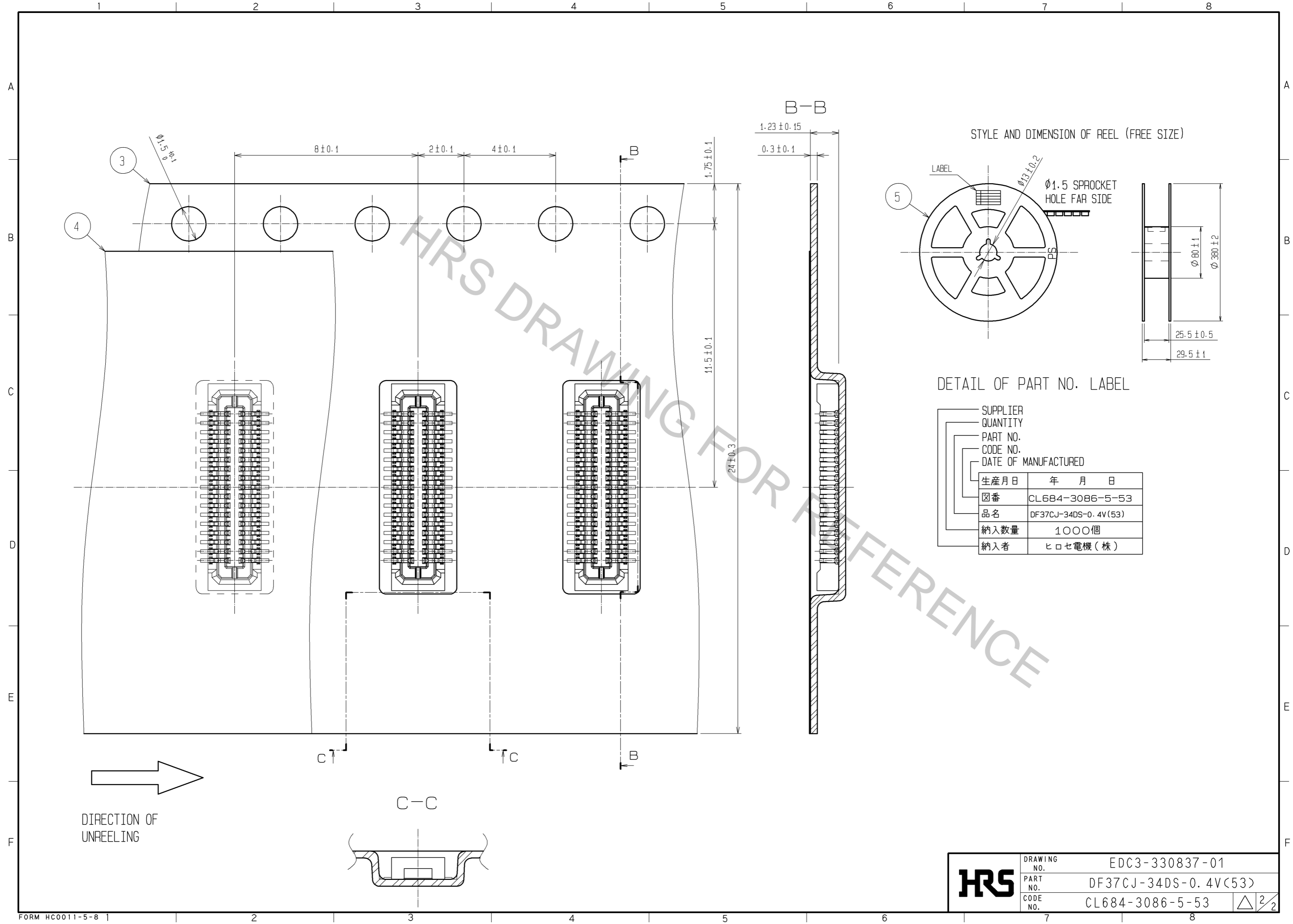


ENGAGEMENT FIGURE



- NOTE 1. ALL LEADS CO-PLANARITY SHALL BE 0.1 MAX.  
 2. PER REEL : 1000 CONNECTORS.  
 3. AT THE BEGINNING OF THE REEL, 100 mm AT MIN SHALL BE EMPTY POCKETS.  
 AT THE END OF THE REEL, 160 mm AT MIN SHALL BE EMPTY.  
 4. CONTACT PLATING SPECIFICATIONS.  
 CONTACT AREA : GOLD 0.05µm MIN.  
 SMT LEAD : GOLD 0.05µm MIN.  
 UNDERPLATING : NICKEL 1µm MIN.  
 (SURFACE : SEALING)  
 5. PEEL FORCE OF COVER TAPE REFERS TO JIS C 0806.  
 6. PROTRUTION OF CONTACT FROM HOUSING UNDERSIDE.

2	PHOSPHOR BRONZE	4	5	PS	PLASTIC REEL (BLACK)
1	LCP	UL94V-0, BLACK	4	POLYESTER	CLEAR(COVER TAPE)
			3	PS	CLEAR(EMBOSSD CARRIER TAPE)
NO.	MATERIAL	FINISH, REMARKS	NO.	MATERIAL	FINISH, REMARKS
UNITS	mm	SCALE	FREE	COUNT	DESCRIPTION OF REVISIONS
					DESIGNED
					CHECKED
					DATE
APPROVED : KH. IKEDA		10.03.29	DRAWING NO. EDC3-330837-01		
CHECED : TS. MIYAZAKI		10.03.27	PART NO. DF37CJ-34DS-0.4V(53)		
DESIGNED : RT. SHIMIZU		10.03.26	CODE NO. CL684-3086-5-53		
DRAWN : RT. SHIMIZU		10.03.26	1/2		



<b>HRS</b>	DRAWING NO.	EDC3-330837-01
	PART NO.	DF37CJ-34DS-0.4V(53)
	CODE NO.	CL684-3086-5-53
		$\triangle$ 2/2