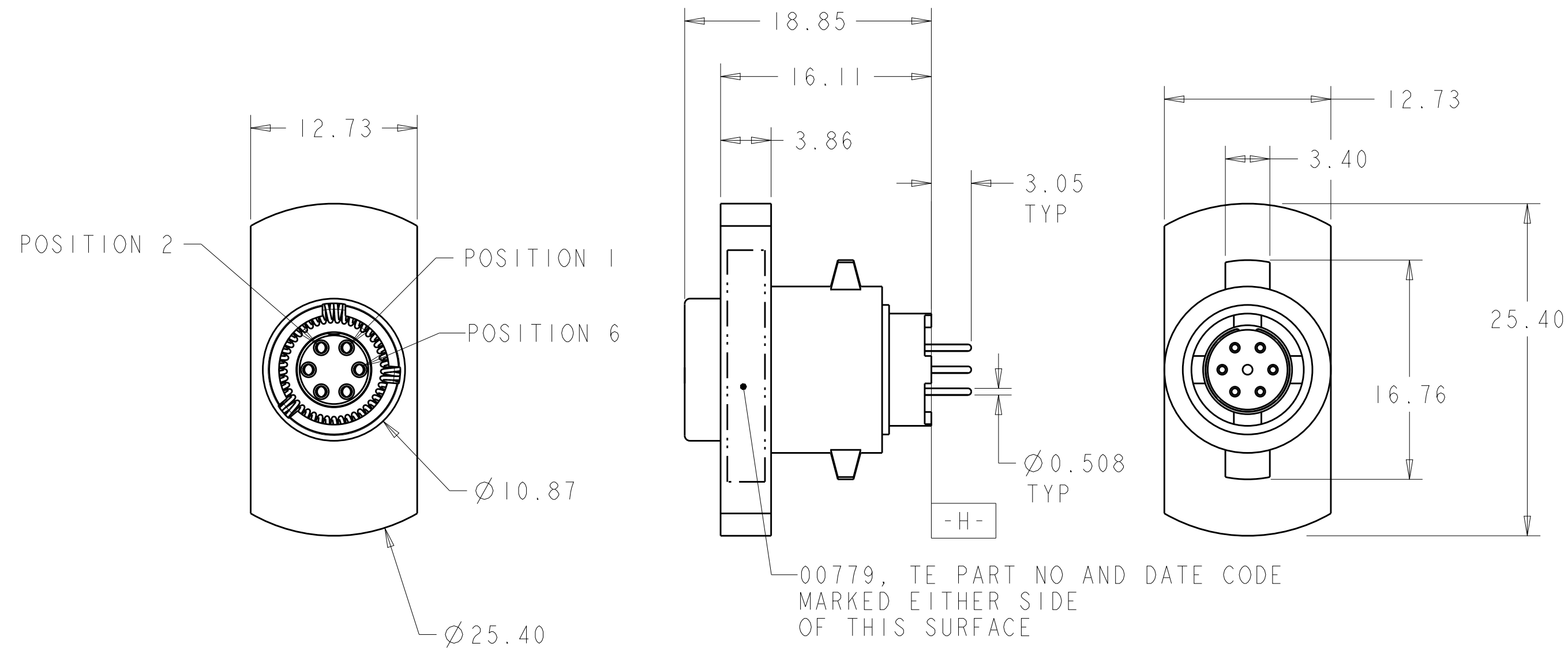
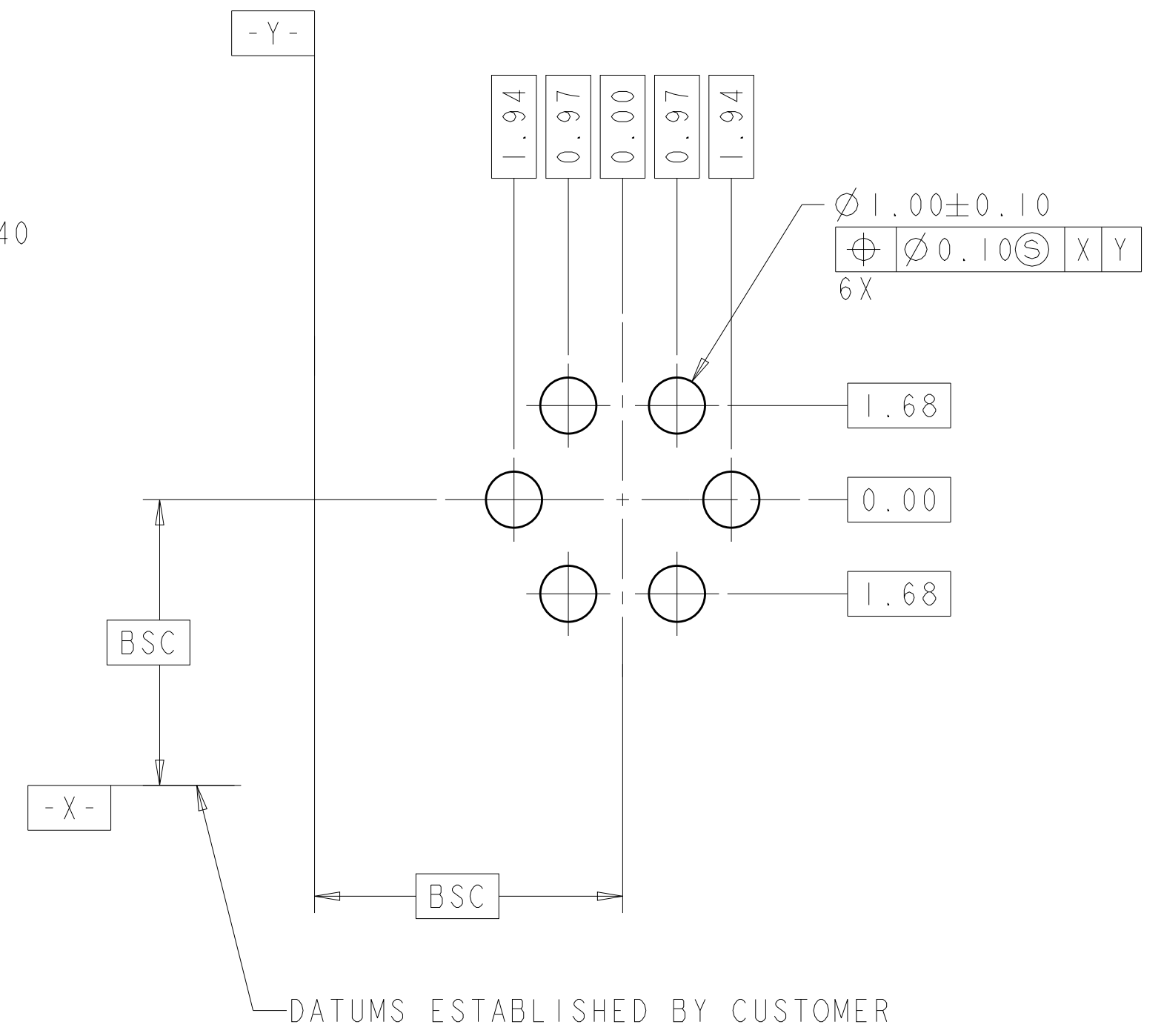


THIS DRAWING IS UNPUBLISHED. RELEASED FOR PUBLICATION 20  
 © COPYRIGHT 20 BY - ALL RIGHTS RESERVED.

REVISIONS				
P	LTR	DESCRIPTION	DATE	APVD
B		REV PER ECO 17-003838	5-9-17	CT DM



**2828420-1  
SHOWN**



RECOMMENDED PCB LAYOUT  
FOR 6 POSITION  
SCALE 10:1

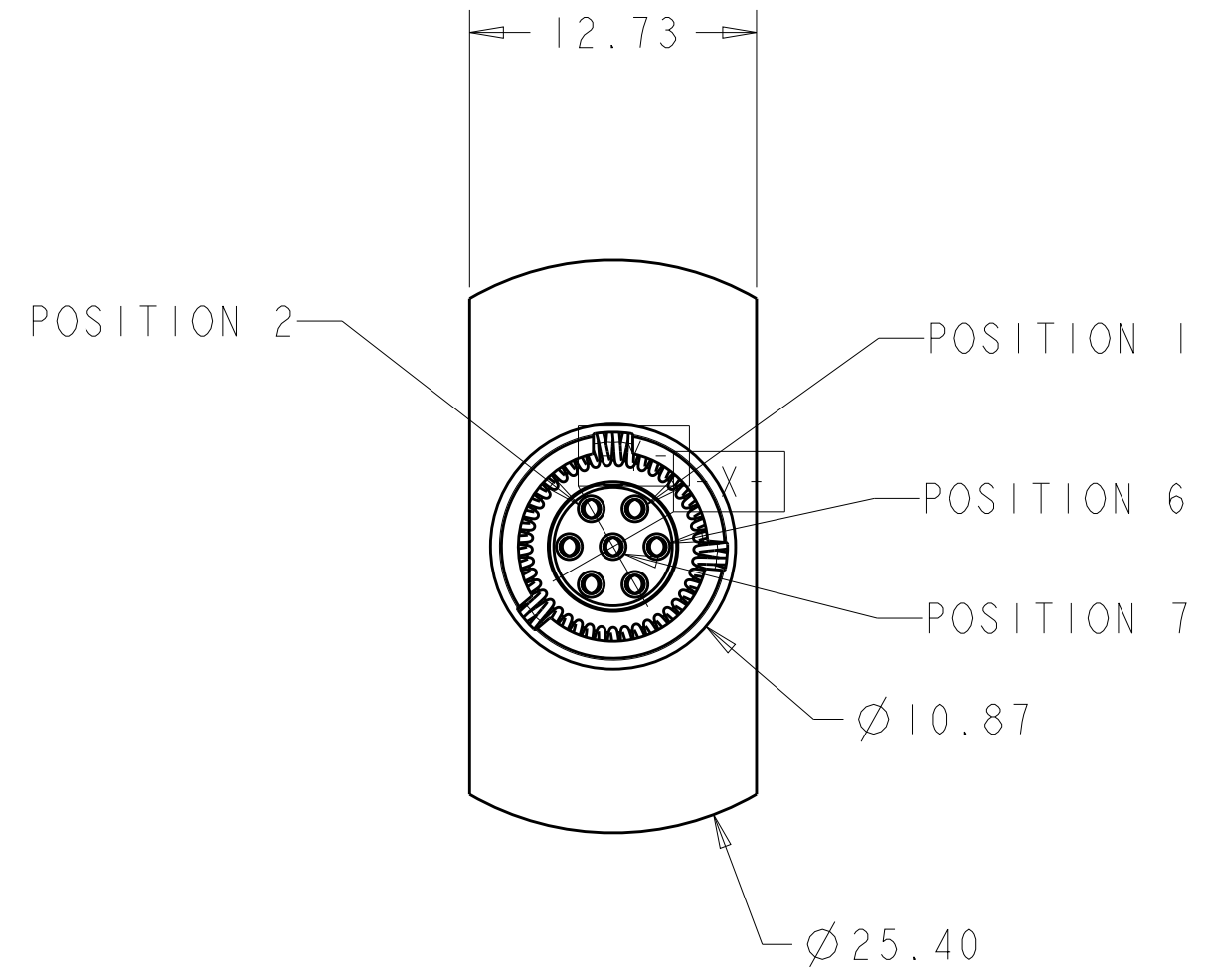
- TE MATING CONNECTOR PART NUMBER 2226910-1.
- ROHS COMPLIANT.
- MATERIALS/FINISH:  
SHELL: AL ALLOY, BLACK ZINC NICKEL OVER ELECTROLESS NICKEL PLATE.  
INSULATORS: LIQUID CRYSTAL POLYMER.  
O-RING: FLUOROSILICONE.  
CONTACTS: COPPER ALLOY / GOLD PLATE PER ASTM B 488, TYPE II, CODE C, CLASS 1.25 (.00005 MIN THK), OVER A NICKEL UNDERPLATE.  
DETENT SPRING: STAINLESS STEEL / GOLD PLATED.  
SEALANT: RTV.
- CONNECTOR UNMATING FORCE TO BE 13±3 lbs.
- MARKINGS PER MIL-STD-202, METHOD 215.

7 POSITION	2828420-2
6 POSITION	2828420-1
DESCRIPTION	PART NO

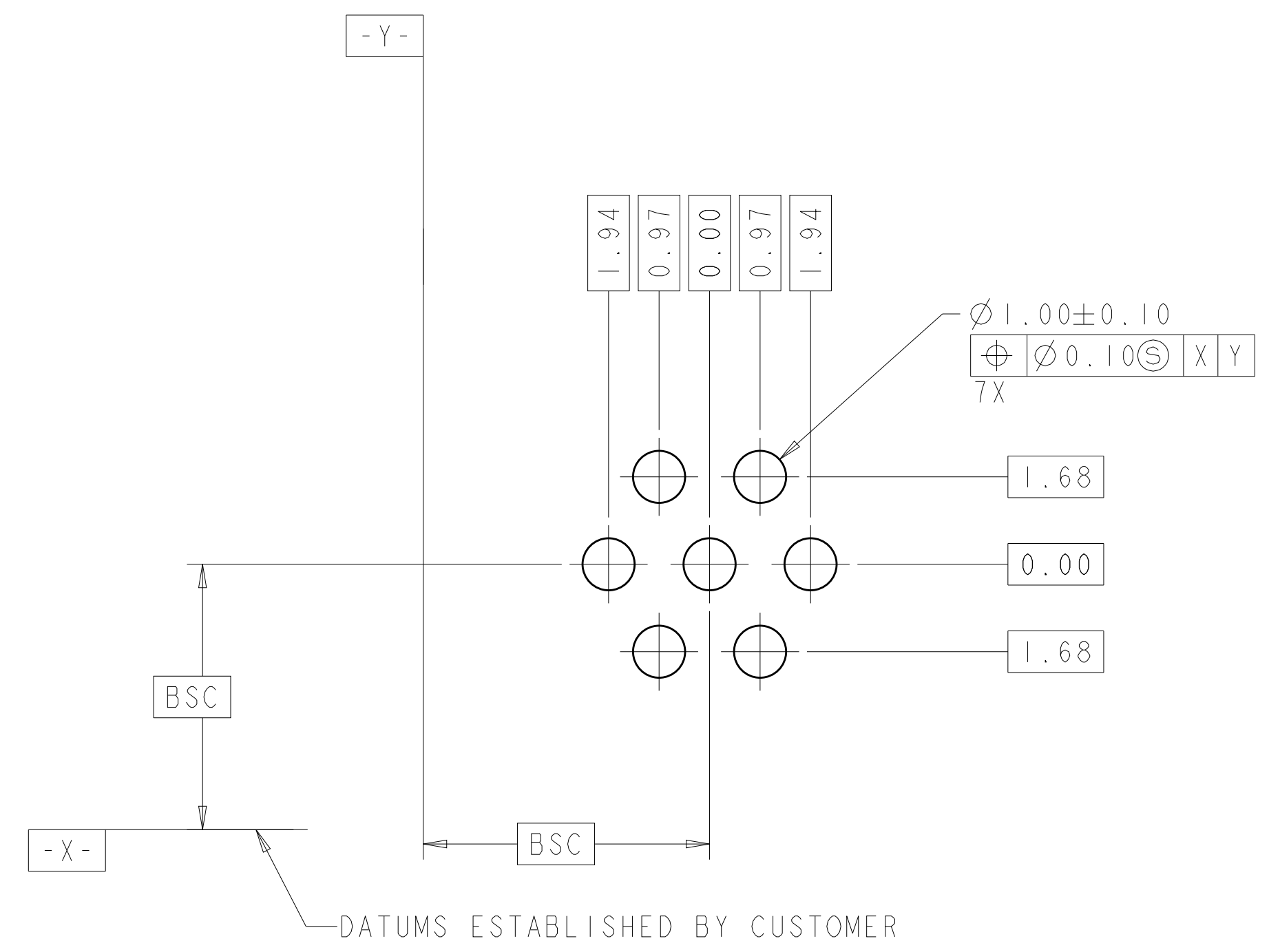
THIS DRAWING IS A CONTROLLED DOCUMENT.		DWN L.SIPE 04JUN2015	TE Connectivity	
DIMENSIONS: mm		CHK C.YI 04JUN2015		
TOLERANCES UNLESS OTHERWISE SPECIFIED:		APVD C.YI 17JUN2015	NAME RECEPTACLE CONNECTOR ASSEMBLY NETT WARRIOR	
0 PLC ± 1 PLC ± 2 PLC ±0.1 3 PLC ±0.05 4 PLC ±		PRODUCT SPEC -	SIZE A2	
MATERIAL -		APPLICATION SPEC -	CAGE CODE -	DRAWING NO C-2828420
ANGLES ± FINISH		WEIGHT -	RESTRICTED TO -	SCALE 3:1 SHEET 1 OF 2 REV B
CUSTOMER DRAWING				

THIS DRAWING IS UNPUBLISHED. RELEASED FOR PUBLICATION 20  
 © COPYRIGHT 20 BY - ALL RIGHTS RESERVED.

REVISIONS				
P	LTR	DESCRIPTION	DATE	APVD
-	-	SEE SHEET 1	-	-



**2828420-2  
SHOWN**



RECOMMENDED PCB LAYOUT  
FOR 7 POSITION  
SCALE 10:1

THIS DRAWING IS A CONTROLLED DOCUMENT.		DWN L.SIPE 04JUN2015	<b>STE</b> TE Connectivity	
DIMENSIONS: mm		CHK C.YI 04JUN2015		
TOLERANCES UNLESS OTHERWISE SPECIFIED:		APVD C.YI 17JUN2015	NAME RECEPTACLE CONNECTOR ASSEMBLY NETT WARRIOR	
0 PLC $\pm$	1 PLC $\pm$	PRODUCT SPEC	SIZE A2	CAGE CODE -
2 PLC $\pm 0.1$	3 PLC $\pm 0.05$	APPLICATION SPEC	DRAWING NO C-2828420	RESTRICTED TO -
4 PLC $\pm$	ANGLES $\pm$	WEIGHT -	SCALE 3:1	SHEET 2 OF 2
MATERIAL -	FINISH -	CUSTOMER DRAWING	REV B	