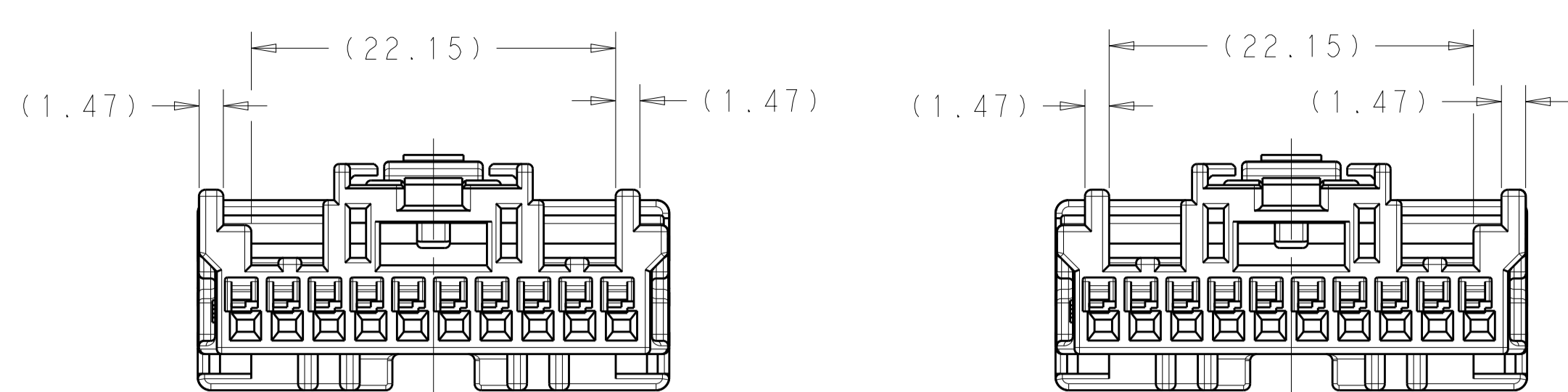
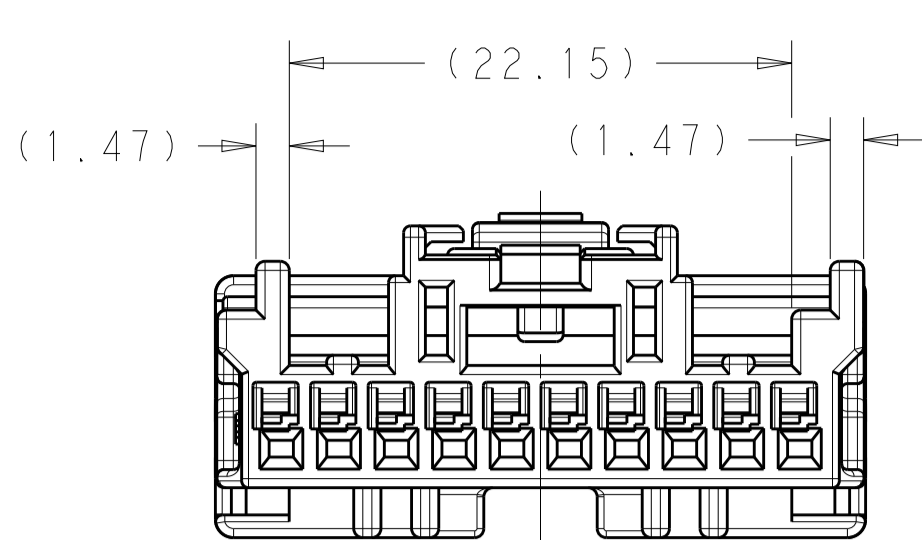


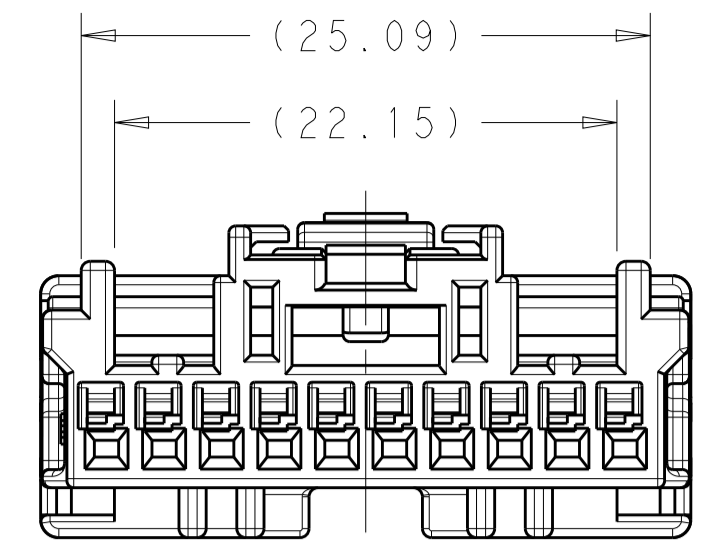
REVISIONS				
P.	LTN.	DESCRIPTION	DATE	DWN. APVD.
A		RELEASED PER ECO-15-011068	09OCT2015	DLD CJS



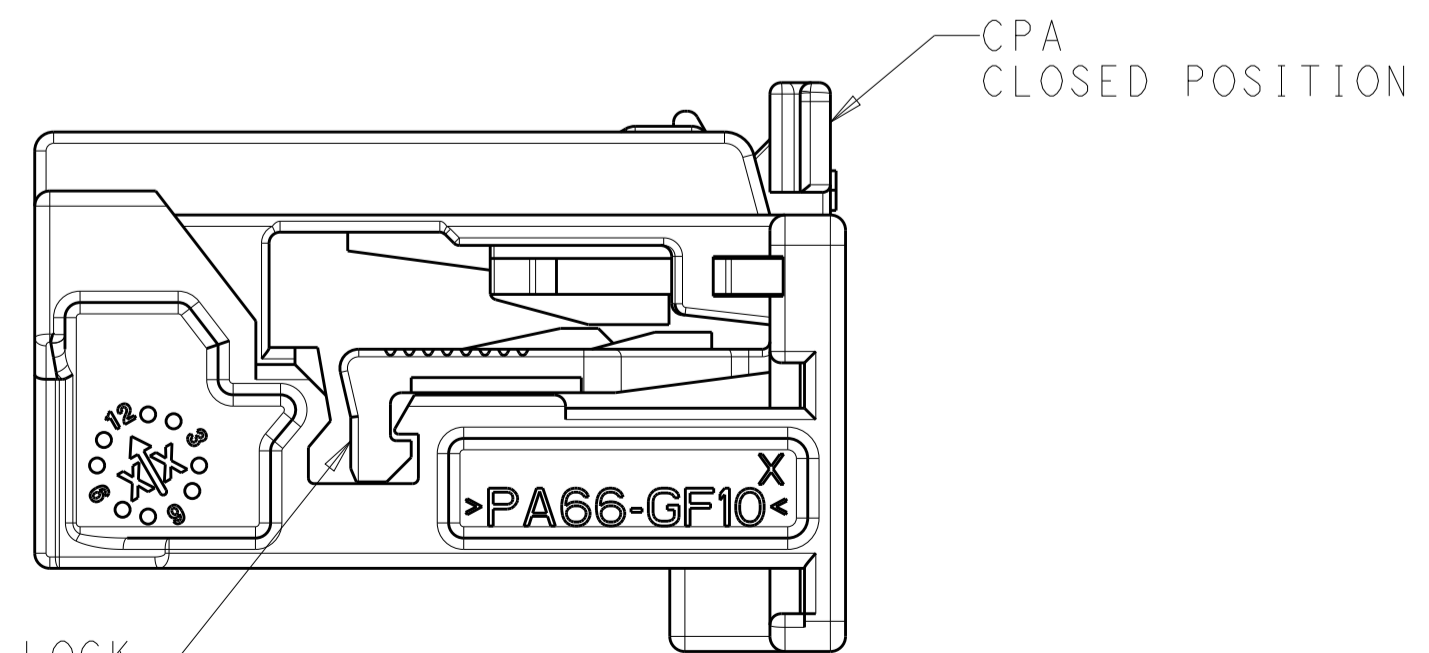
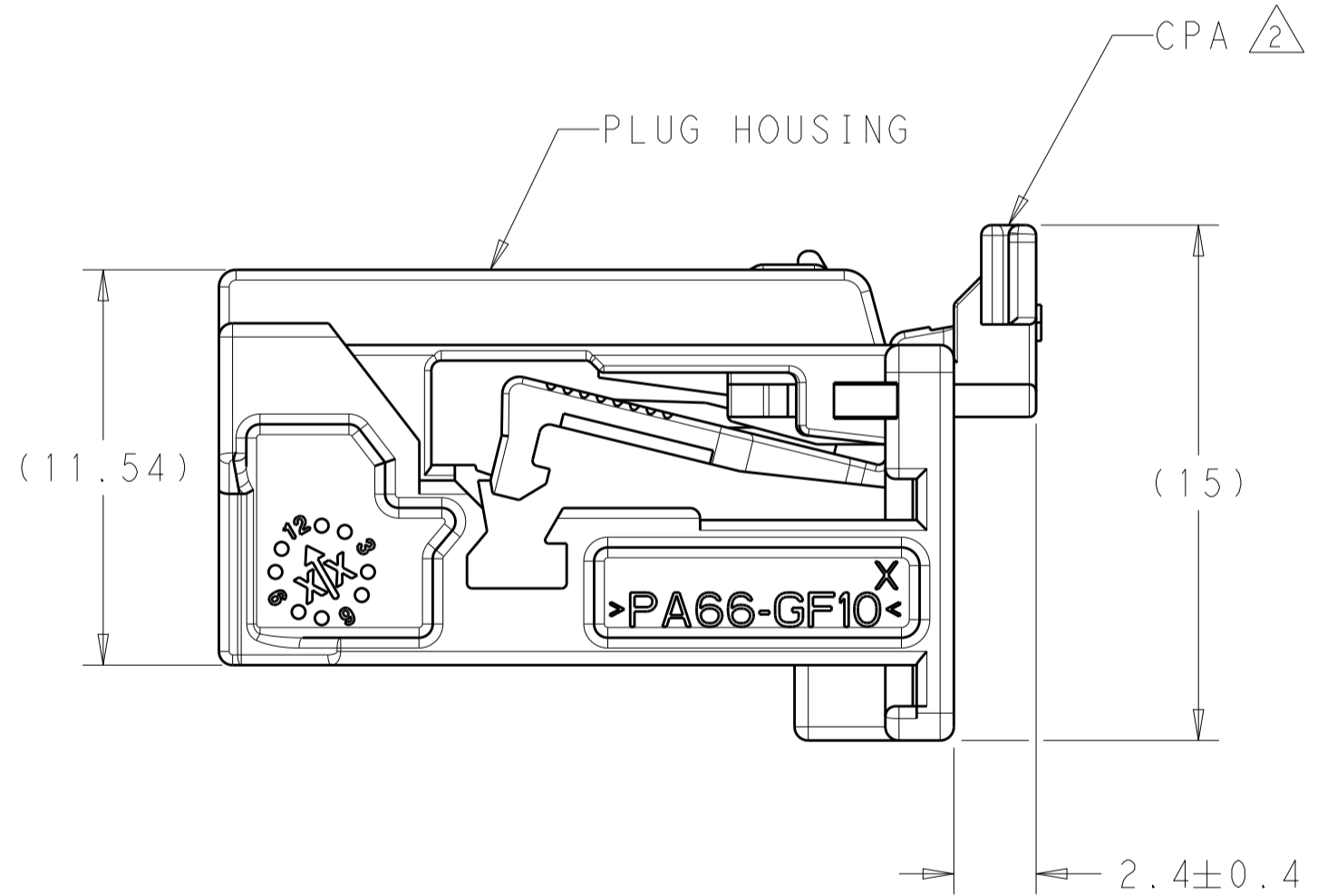
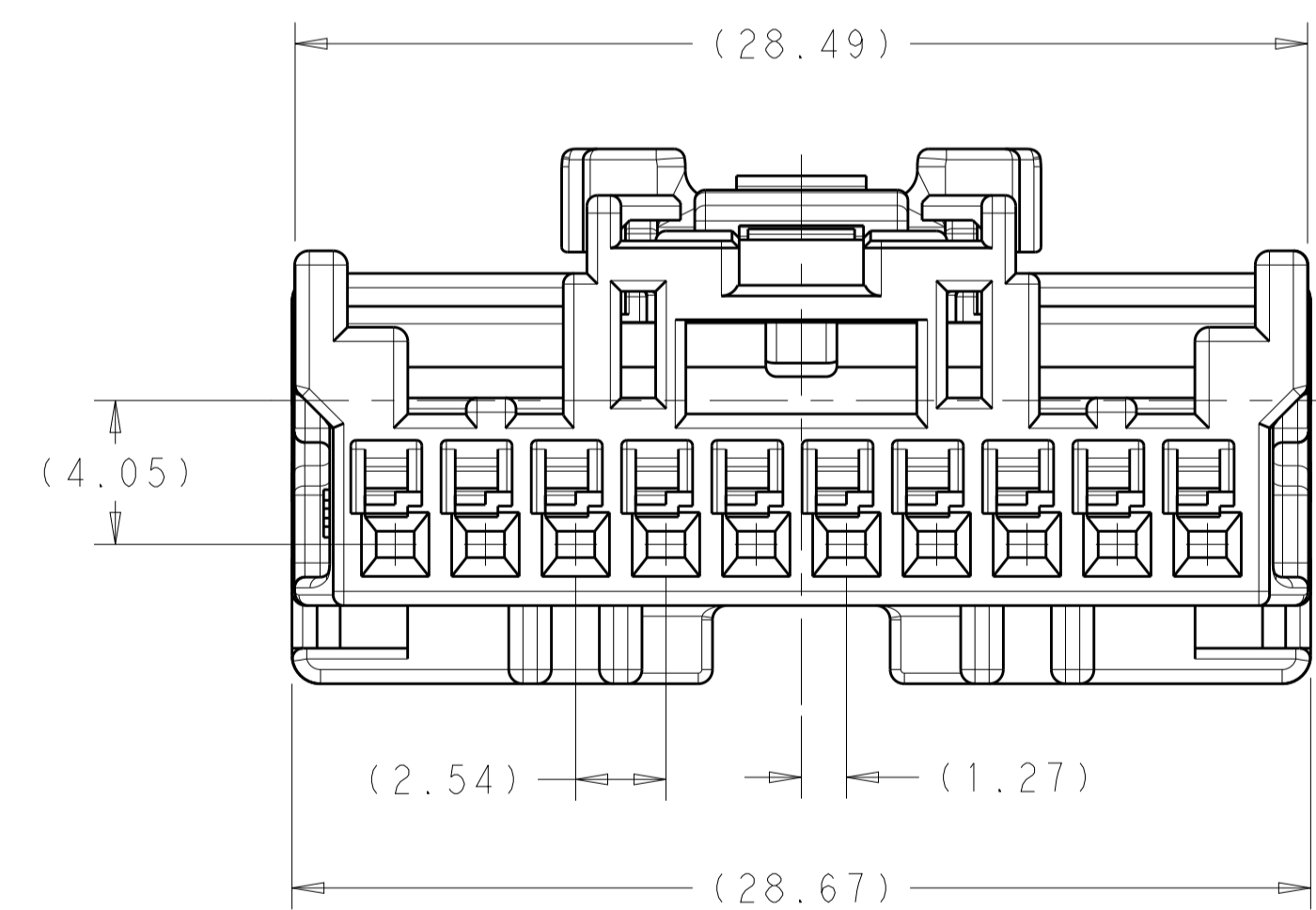
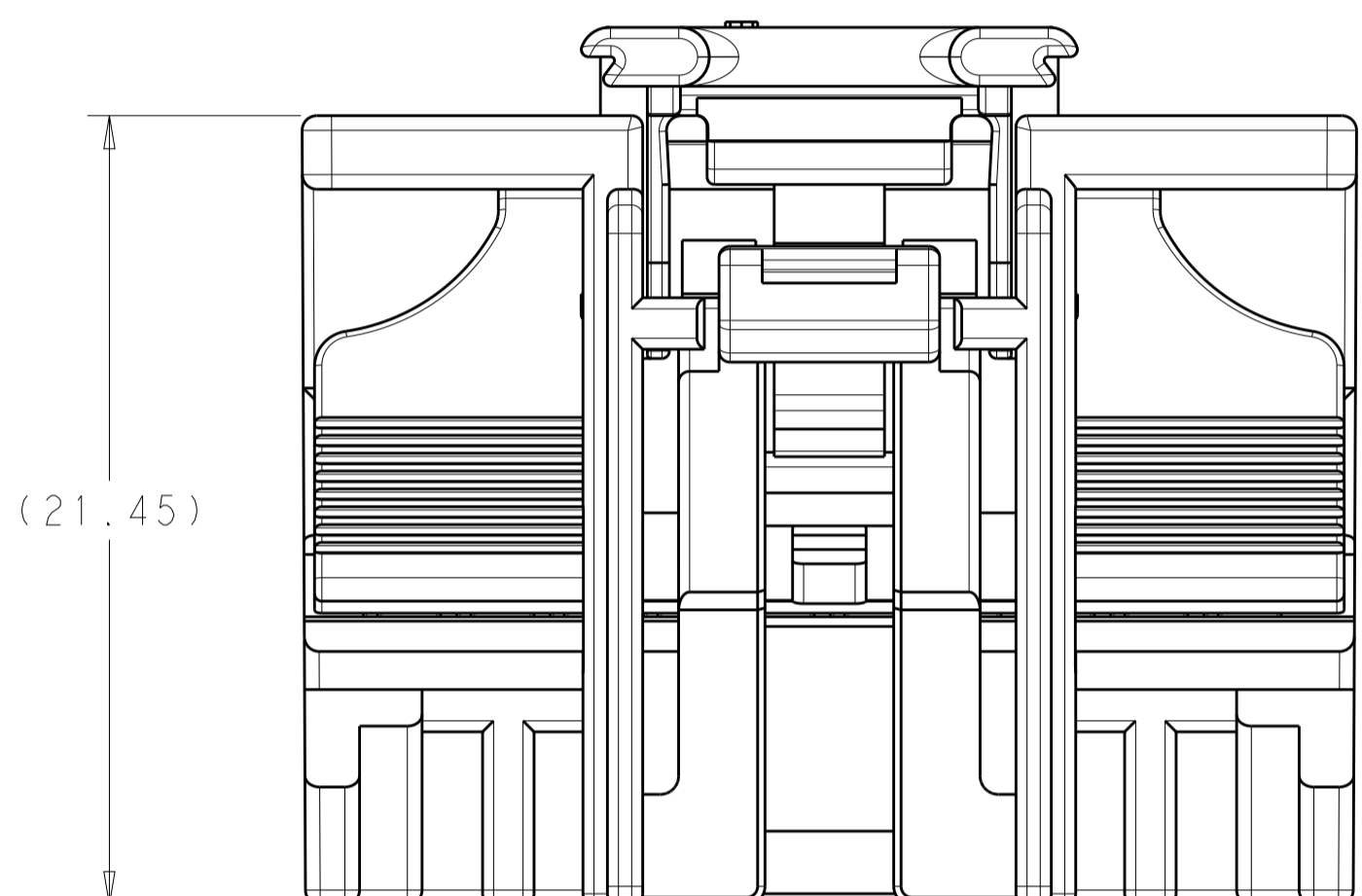
KEYING OPTION B
SCALE 3:1



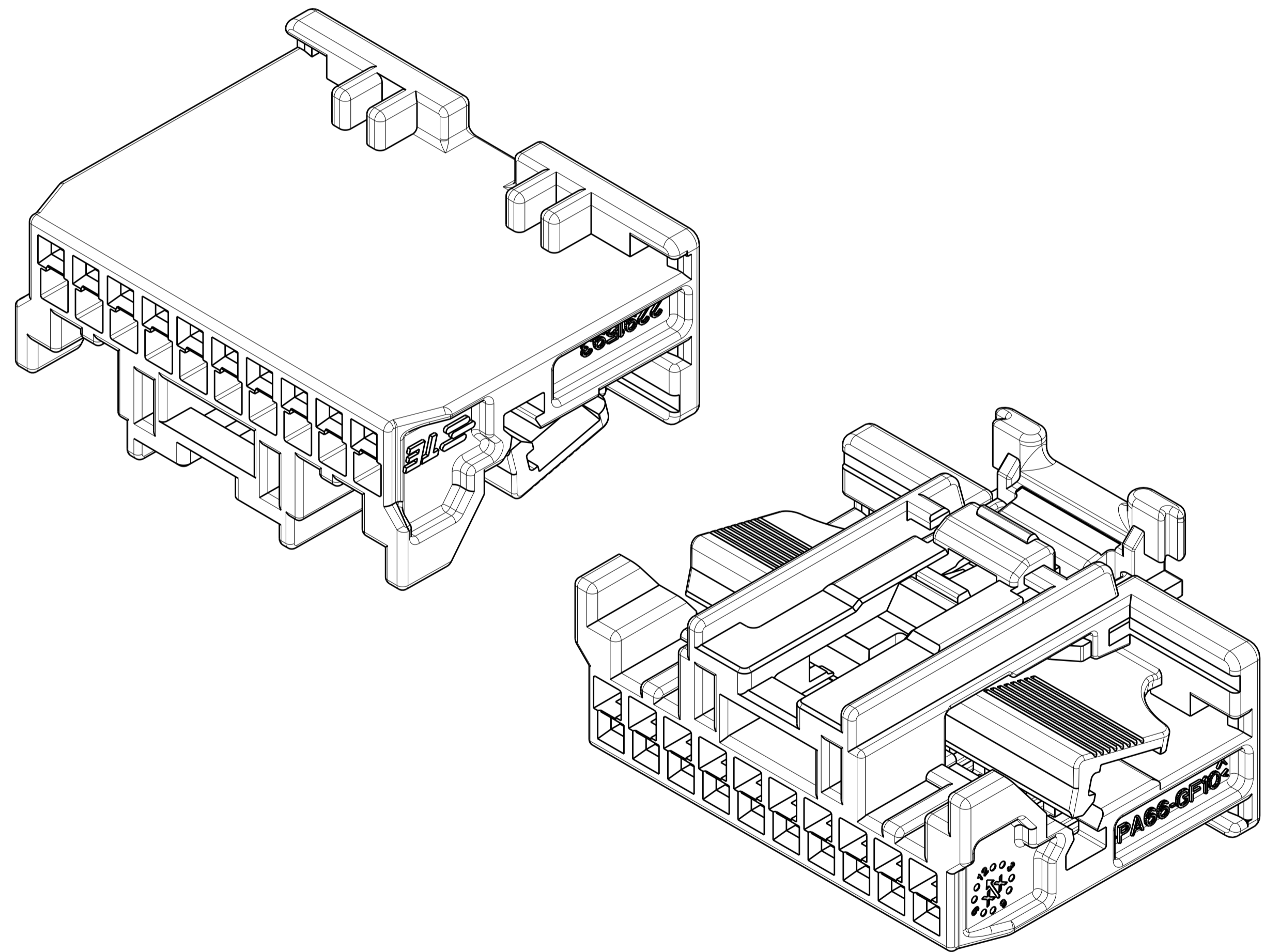
KEYING OPTION D
SCALE 3:1



KEYING OPTION F
SCALE 3:1



SECONDARY LOCK CLOSED POSITION
2291594-1 AS ASSEMBLED



- ⚠ MATERIAL: PLUG HOUSING - PA66, 10% GLASS FILLED, NATURAL (BROWN)
CPA - PA66, 35% GLASS FILLED, NATURAL (WHITE).
- ⚠ CPA SHOWN IN PRE-STAGED, AS SHIPPED, POSITION.
- 3. PLUG ASSEMBLY MATES WITH USCAR INTERFACE DRAWING 064-U-010-1-Z04, REVISION LEVEL C.
- 4. PLUG ASSEMBLY WILL ACCEPT THE FOLLOWING TERMINAL PART NUMBERS BASED ON ENVIRONMENT DEFINITION:
2035170-1, 2035170-2 (FOR CONNECTOR ENVIRONMENTS T3 AND BELOW)
AND 2098165-1, 2098165-2 (FOR TRANSMISSION SPECIFIC ENVIRONMENTS WITH TEMPERATURE RATING OF T3 TRANSMISSION).
THE MAXIMUM ALLOWABLE INSULATION DIAMETER IN ANY CASE IS 1.65mm.
- ⚠ PART NUMBERS MARKED AS PRELIMINARY HAVE NOT BEEN RELEASED PER FORMAL QUALIFICATIONS.
- 6. ASSEMBLY IS SHIPPED WITH SECONDARY LOCK IN THE PRE-LOCK POSITION AS SHOWN. SECONDARY LOCK MAY CLOSE INADVERTENTLY DURING SHIPPING. IF THIS OCCURS, RELOCATE SECONDARY LOCK TO THE OPEN POSITION PRIOR TO INSERTION OF TERMINALS. SEE INSTRUCTION SHEET 408-32069 FOR OTHER DETAILED ASSEMBLY INSTRUCTIONS.

PRELIMINARY	F	2291594-4
PRELIMINARY	D	2291594-3
PRELIMINARY	B	2291594-2
RELEASED	A	2291594-1
AVAILABILITY	KEYING OPTION	PART NUMBER

2291594-1 AS SHOWN

THIS DRAWING IS A CONTROLLED DOCUMENT.		DWN. D. DRUMMOND 19MAR2015	TE Connectivity	
DIMENSIONS: mm		CHK. D. BROWN 19MAR2015		
TOLERANCES UNLESS OTHERWISE SPECIFIED:		APVD. C. SCHMID 19MAR2015		
0 PLC	±	PRODUCT SPEC	ASSEMBLY, 10 POSITION, SINGLE PIECE, GENERATION Y	
1 PLC	±0.3	APPLICATION SPEC	SIZE CAGE CODE DRAWING NO. RESTRICTED TO	
2 PLC	±0.10	WEIGHT	A100779C=2291594	
3 PLC	±	CUSTOMER DRAWING	SCALE 5:1 SHEET 1 OF 1 REV A	
4 PLC	±			
ANGLES	±			
MATERIAL	FINISH			