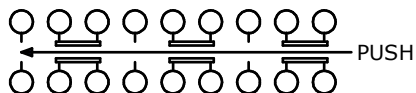


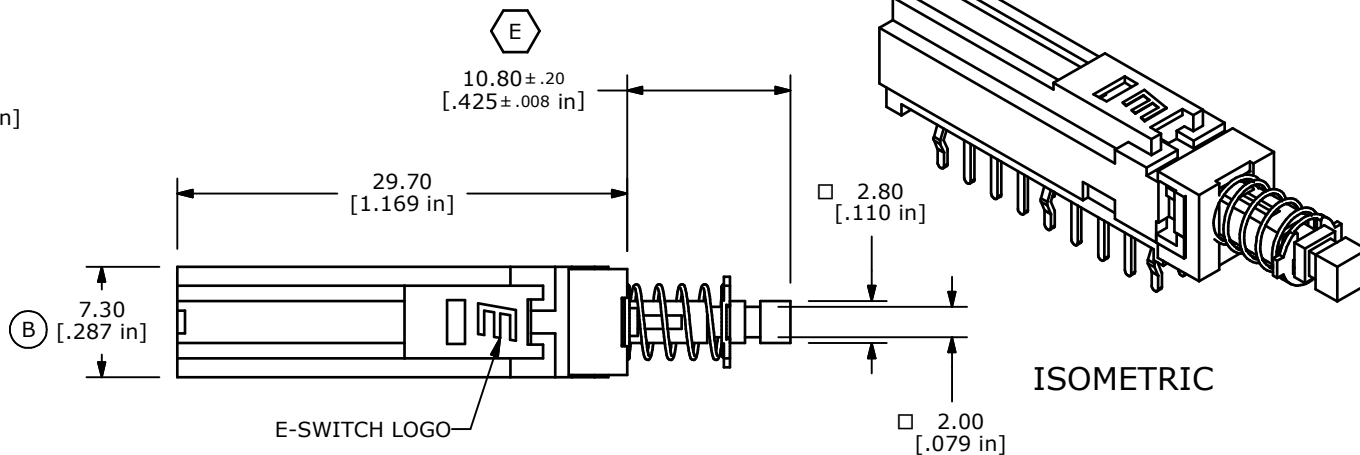
P.C. MOUNTING



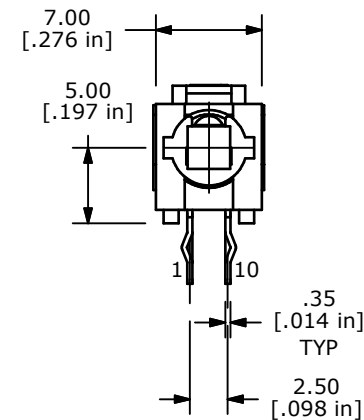
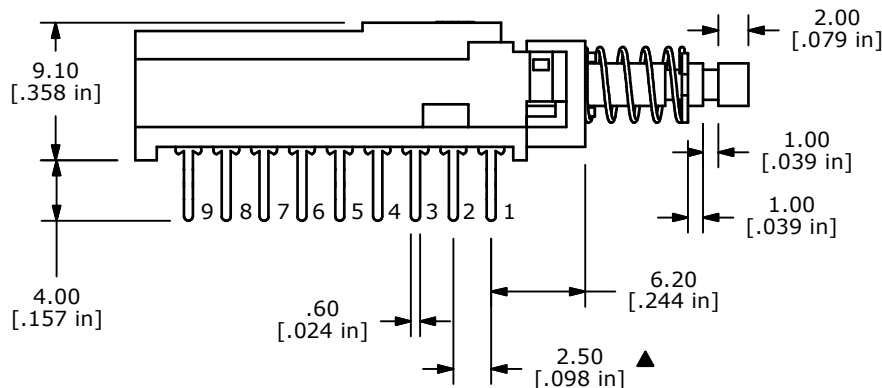
CIRCUIT DIAGRAM

NOTES:

1. ALL DIMENSIONS IN MM [INCH]
2. GENERAL TOLERANCE: X.X±0.4  
X.XX±0.25
3. TERM. NOS. FOR REFERENCE ONLY.
4. RATING 0.1A @30V DC
- ▲ 5. MATERIALS:  
CONTACT/TERMINALS: SILVER PLATE  
HOUSING: PBT UL94VO  
BASE: PA66 UL94VO  
ACTUATOR: PA66 UL94VO
6. CONTACT RESISTANCE: 100 MILLI-OHM (INITIAL)
- ▲ 7. TIMING: NON-SHORTING
8. OPERATING FORCE: 380± 50GF
9. TRAVEL: LATCHING  
2MM TO LOCK  
3MM OVERALL
10. ELECTRICAL LIFE: 10000 CYCLES
11. OPERATING TEMP: -20°C TO +70°C
12. ▲ DENOTES CRITICAL PARAMETER.
13. 2002/95/EC (ROHS) COMPLIANT



ISOMETRIC



E	21043	10.80mm WAS 10.20mm	2/19/13	EBP
D	19672	UPDATE CIRCUIT DIAGRAM	2/10/11	BGL
C	15659	DIM FROM 2.50, ADD CRITICAL, ROHS	1/5/06	PH
B	15553	DIMS FROM 7.00 0.90	11/21/05	PH
A	15394	RELEASED FOR PRODUCTION	10/20/05	PH
REV	PCR NO	DESCRIPTION	DATE	BY



TITLE PBH6UEESNPAGV

THE INFORMATION CONTAINED IN THIS DOCUMENT IS PROPRIETARY TO E-SWITCH AND IS NOT TO BE COPIED OR TRANSFERRED

SCALE	DATE	DR	DWG	REV
2:1	10/20/2005	PH	Q960014	E