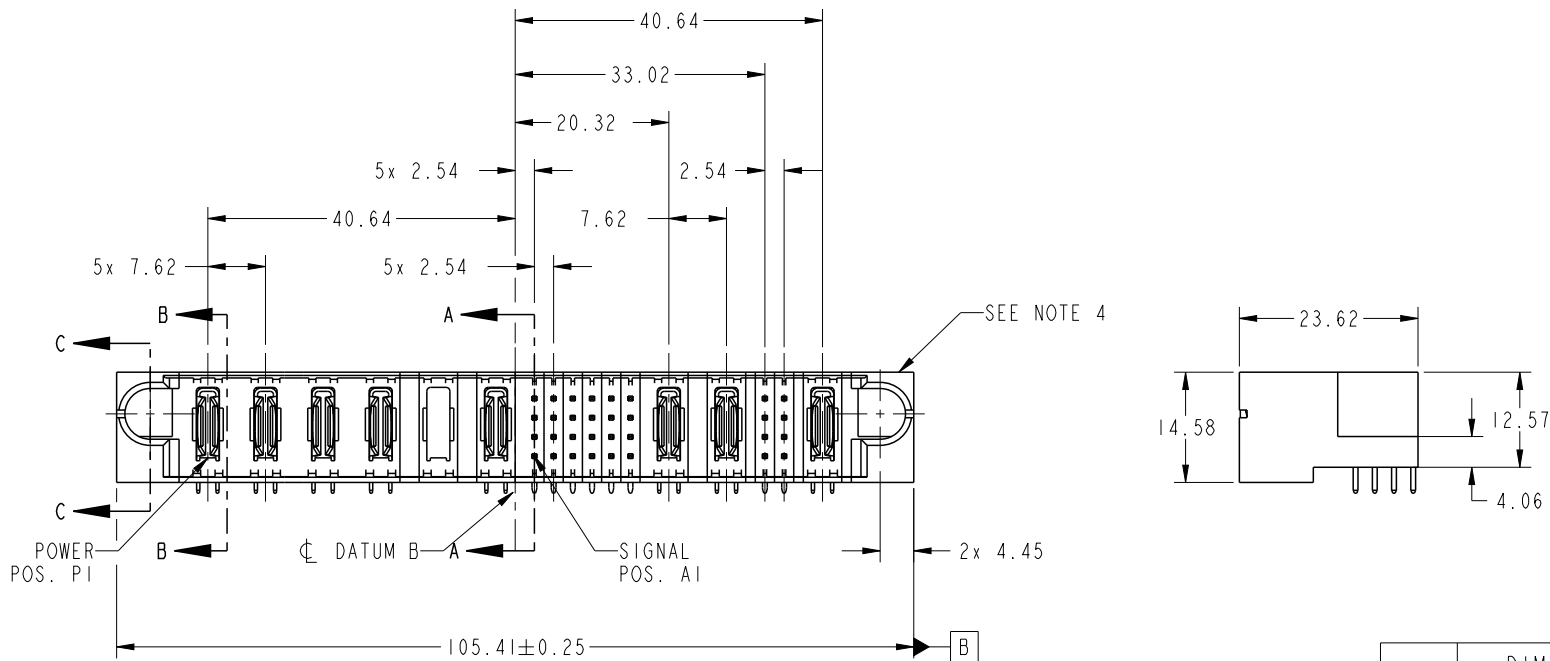


PRODUCT NO.	ROWS	POWER					SIGNAL				POWER		SIG		POW	E2						
		E1	P1	P2	P3	P4	P5	P6	1	2	3	4	5	6	P7		P8	7	8	P9		
51939-829-- NOTE 3	DCBA		PA	PA	PA	PA	X	PA	UUUUUU	TTTTTT	SSSSSS	RRRRRR	UUUUUU	TTTTTT	SSSSSS	RRRRRR	UUUUUU	TTTTTT	SSSSSS	RRRRRR	UUUUUU	



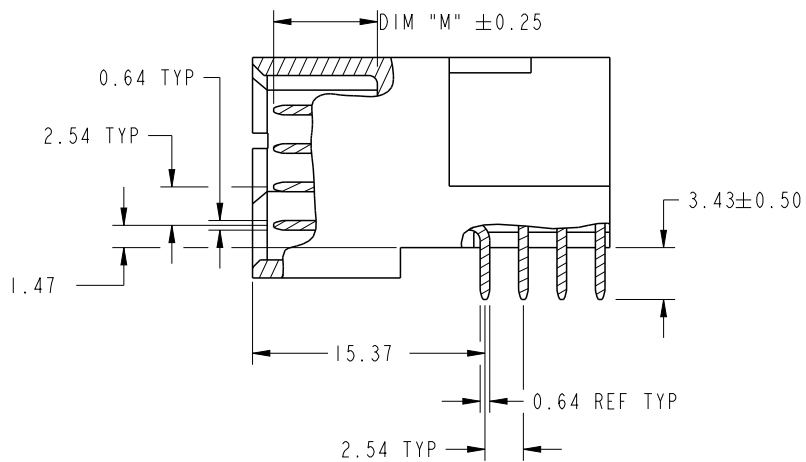
CODE	DIM "M" MATING LENGTH	CONTACT TYPE
U	[6.86]	SIGNAL
T	[6.86]	SIGNAL
S	[6.86]	SIGNAL
R	[6.86]	SIGNAL
PA	[N/A]	POWER
X	OMITTED	OMITTED

spec ref	*	dr	Luo Weller	2014/01/22	projection 	MM ←→	size	A4	scale	1:1	
tolerance std	TOLERANCES UNLESS OTHERWISE SPECIFIED	eng	Luo Weller	2014/03/04			product family	PwrBlade	rel level	Released	
ASME Y14.5		chr	-	-				ecn no	-		
surface	✓	appr	Pei-Ming Zheng	2014/03/04	6ACP+24S+2ACP+8S+1P RIGHT ANGLE SOLDER HEADER	dwg no	51939-829		rev	A	
ASME Y14.5		linear	0.X	±0.5			www.fci.com	cat. no.		Product - Customer Drw	
	angular	0°	±2°								

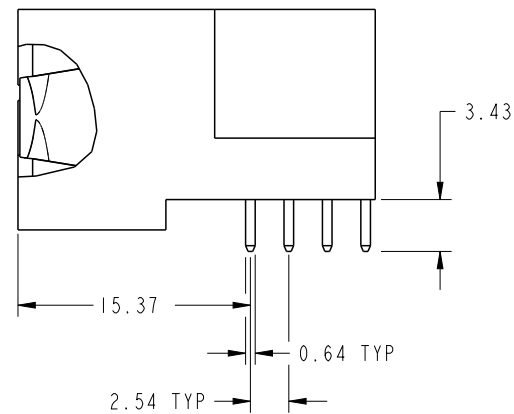
PrdE File - REV C - 2009-06-09

PRODUCT NUMBER

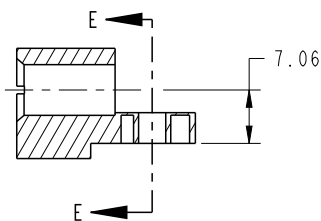
51939-829--
NOTE: 3



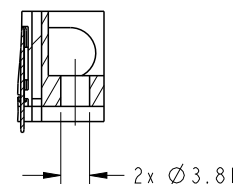
BROKEN-OUT SECTION A-A
SCALE 2:1



BROKEN-OUT SECTION B-B
SCALE 2:1



SECTION C-C

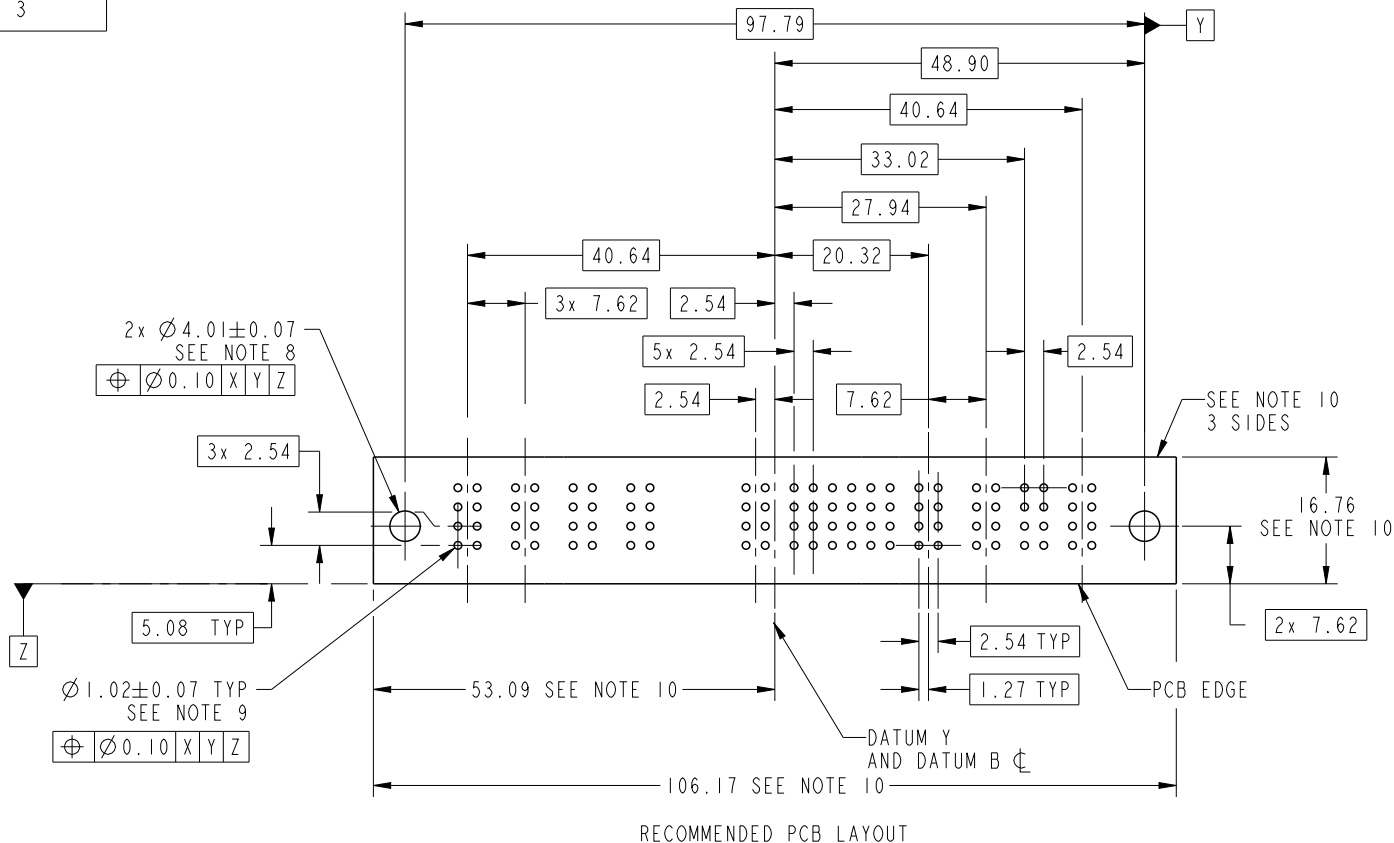


PARTIAL SECTION E-E

dr	Luo Weller	2014/01/22	projection 	MM 	size	A4	scale	1:1
eng	Luo Weller	2014/03/04			ecn no	-		
chr	-	-			rel level	Released		
appr	Pei-Ming Zheng	2014/03/04	product family	PwrBlade				
	title	6ACP+24S+2ACP+8S+1P RIGHT ANGLE SOLDER HEADER		dwg no	51939-829		rev	A
www.fci.com	cat. no.	-	Product - Customer Drw		sheet 2 of 4			

PRODUCT NUMBER

51939-829__
NOTE: 3



Copyright FCI.

dr	Luo Weller	2014/01/22	projection 	MM 	size	A4	scale	1:1			
eng	Luo Weller	2014/03/04			ecn no	-					
chr	-	-			rel level	Released					
appr	Pei-Ming Zheng	2014/03/04	product family	PwrBlade							
		title			6ACP+24S+2ACP+8S+IP		dwg no		51939-829	rev	A
www.fci.com		cat. no.			-		Product - Customer Drw		sheet 3 of 4		

PRODUCT NUMBER

51939-829__
NOTE: 3

NOTES:

1. DIMENSIONS AND TOLERANCES ARE IN ACCORDANCE WITH ASME Y14.5M, 1994 UNLESS OTHERWISE SPECIFIED.

CONNECTOR NOTES:

- 2. HOUSING MATERIAL: UL 94 V-0 GLASS FILLED HIGH-TEMP THERMOPLASTIC
POWER CONTACT MATERIAL: COPPER ALLOY
SIGNAL PIN MATERIAL: COPPER ALLOY
- 3. SEE ITEM 1 & 2 IN PRINT 10064183 FOR PLATING SPEC OF 51939-829 AND 51939-829LF RESPECTIVELY.
- 4. MANUFACTURER'S NAME, DATE CODE AND OPTIONAL P/N TO APPEAR ON THIS SURFACE. THE MARK CAN BE OMITTED IF THERE IS NOT ENOUGH SPACE ON THIS SURFACE.
- 5. PRODUCT SPECIFICATION GS-12-149.
APPLICATION SPECIFICATION BUS-20-067.
- 6. PACKAGED IN TRAYS.

PCB NOTES:

- 7. ALL HOLE DIAMETERS ARE FINISHED HOLE SIZE.
- 8. MOUNTING HOLES, WHERE APPLICABLE, ARE UNPLATED.
- 9. $\varnothing 1.151 \pm 0.025$ DRILLED HOLES PLATED WITH 0.008 MIN SnPb OR Sn OVER 0.03 TO 0.08 Cu PLATING TO ACHIEVE $\varnothing 1.02 \pm 0.07$ HOLE.
- 10. CONNECTOR KEEP-OUT ZONE.



Copyright FCI.

dr	Luo Weller	2014/01/22	projection 	MM 	size	A4	scale	1:1			
eng	Luo Weller	2014/03/04			ecn no	-					
chr	-	-			product family	PwrBlade	rel level	Released			
appr	Pei-Ming Zheng	2014/03/04			title	6ACP+24S+2ACP+8S+IP		dwg no	51939-829	rev	A
www.fci.com		cat. no.	-	Product - Customer Drw			sheet 4 of 4				