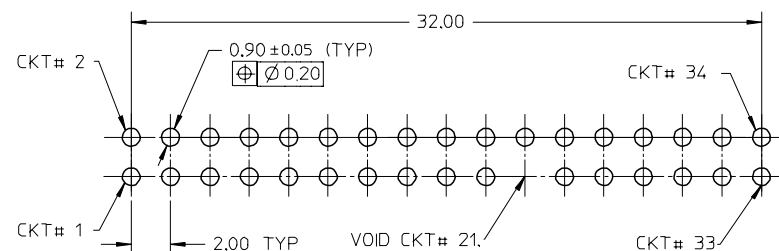
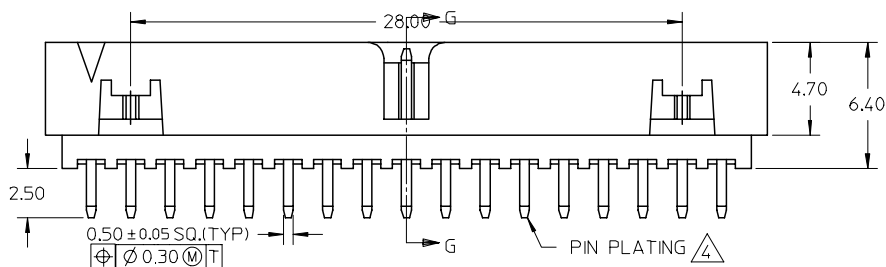
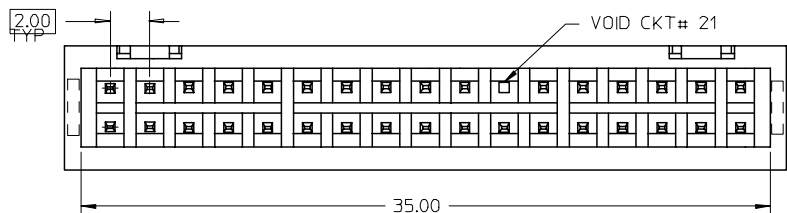


ASSEMBLY PART NO.	CKT	VOID CKT
87831-7000	34	21
87831-7100	34	21

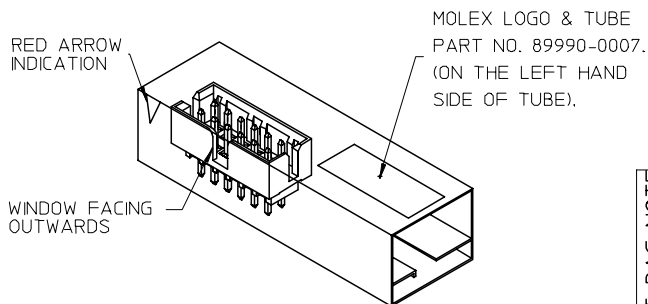


RECOMMENDED PCB PATTERN



NOTES :

- MATERIALS:
HOUSING : 30%GF, NYLON 46, UL94V-0, COLOR BLACK
PIN : 0.50MM SQ. PHOSPHOR BRONZE.
- PRODUCT SPECIFICATION PS-87831-027 APPLIES.
- PIN PUSHOUT FORCE : 0.91 KG MIN. IN EITHER DIRECTION.
- PLATING OPTION:
87831-7000 - 0.38um/15uin GOLD IN CONTACT AREA AND 1.88um/75uin MIN.TIN IN SOLDER TAIL AREA OVER 1.27um/50uin MIN. NICKEL OVERALL.
87831-7100 - GOLD FLASH IN CONTACT AREA AND 1.88um/75uin MIN. TIN IN SOLDER TAIL AREA OVER 1.27um/50uin MIN. NICKEL OVERALL
- THIS HEADER MATES WITH MOLEX :
a) CRIMP RECEPTACLE HOUSING, 51110 SERIES WITH CRIMP TERMINAL, 50394 SERIES.
b) 2MM MILLIGRID DUAL ROW IDT, 87568 SERIES.
- PARTS TO BE PACKED IN TUBE WITH MOISTURE BARRIER BAG.



REF : ORIENTATION OF PART IN TUBE.
(FOR THE REFERENCE OF PART/TUBE ASSEMBLY.)

ADD MOIST BAG NOTE	DESCRIPTION
EC NO: S2007-0892	2007/05/04
DRWN:GMENARLY	2007/05/04
CHKD:SKANG	2007/05/04
APPR:MLONG	2007/05/07
A3	REV

QUALITY SYMBOLS	DESCRIPTION
▽=0	
▽C=0	

GENERAL TOLERANCES (UNLESS SPECIFIED)	DIMENSION STYLE	
	MM ONLY	
	mm	INCH
4 PLACES	± ---	± ---
3 PLACES	± ---	± ---
2 PLACES	± 0.2	± ---
1 PLACE	± ---	± ---
	ANGULAR ± 3 °	
DRAFT WHERE APPLICABLE MUST REMAIN WITHIN DIMENSIONS	SIZE A3	

DRAWN BY	DATE	TITLE
ATSEE	2003/10/06	MGRID, SHROUDED HEADER VERTICAL, WITH VOID
CHECKED BY	DATE	
KCLING	2003/11/07	
APPROVED BY	DATE	
SKTOH	2003/11/07	
MATERIAL NO.	DOCUMENT NO.	SHEET NO.
	SD-87831-015	1 OF 1

SCALE	DESIGN UNITS	THIRD ANGLE PROJECTION
NTS	METRIC	
MOLEX INCORPORATED		
THIS DRAWING CONTAINS INFORMATION THAT IS PROPRIETARY TO MOLEX INCORPORATED AND SHOULD NOT BE USED WITHOUT WRITTEN PERMISSION		