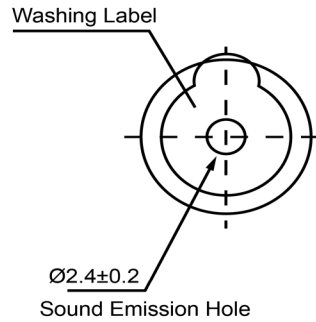
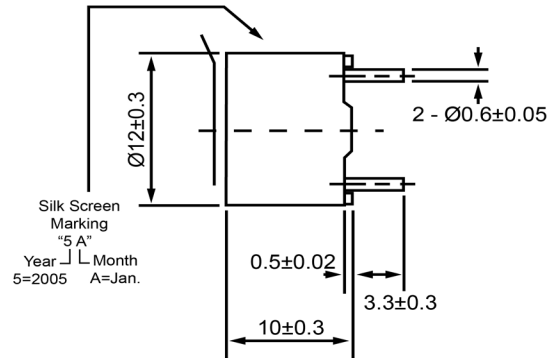


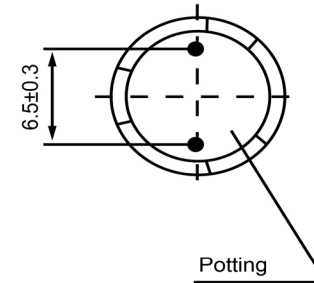
TOP VIEW





SIDE VIEW



BOTTOM VIEW



Specifications			Notes	Revision History											
Description	Value	Unit		Version	Description	Date	Approved								
Technology	Electro-Mechanical		1) All dimensions are in mm unless otherwise noted 2) All parts meet RoHS 	1	Released from Engineering	10/21/2013	J.S								
Resonant Frequency	2,400	(Hz)													
Rated Voltage	5	(V)													
SPL @ 10cm	85	(dBA)													
Coil Resistance	40	(ohm)													
Mount Type	Thru Hole														
Voltage Range	3 ~ 8	(V)													
Max Rated Current	50	(mA)													
Housing Material	NORYL														
Operating Temperature	-40 ~ +85	°C													
Storage Temperature	-40 ~ +85	°C													
Weight	2	(g)													
				Drawn by A.B.		Date 10/21/2013		Checked by C.E.		Date 10/21/2013		Approved by J.S		Date 10/21/2013	
				Electro-Mechanical Transducer				TE122405-2							