

Product Change Notice

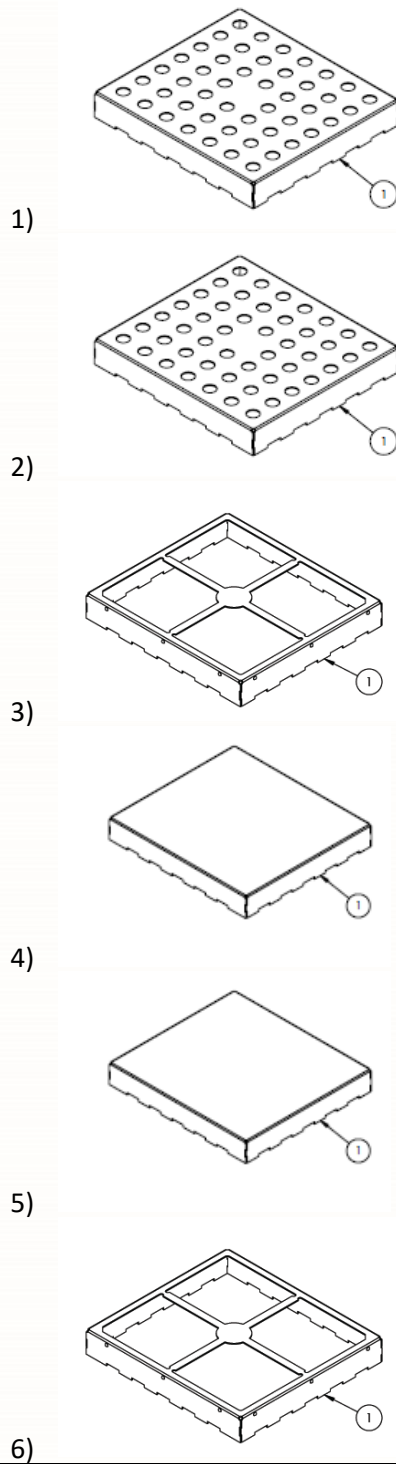
Dear customer,

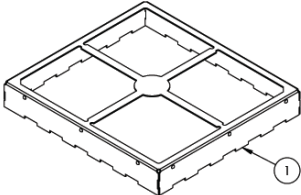
Please be advised that the products listed in the table below have change as of the listed effective date. All future orders will be supplied with the changes described. We apologize for any inconvenience this may cause and we encourage you to contact Leader Tech with any questions.

Details of Change:

Product Family	1) SMS		
P/N(s) Affected	1) SMS-106 2) SMS-106-N 3) SMS-206-N-F 4) SMS-306 5) SMS-306-N 6) SMS-406F 7) SMS-406-N-F	Current Revision	1) D 2) C 3) F 4) B 5) B 6) C 7) C
Product Description	1) BOARD SHIELD SURFACE MOUNT WITH VENT HOLES 2) BOARD SHIELD SURFACE MOUNT WITH VENT HOLES – ALLOY 770 3) BOARD SHIELD SURFACE MOUNT FRAME - ALLOY 4) BOARD SHIELD SURFACE MOUNT 5) BOARD SHIELD SURFACE MOUNT – ALLOY 770 6) BOARD SHIELD SURFACE MOUNT FRAME 7) BOARD SHIELD SURFACE MOUNT FRAME – ALLOY 770		

Product Image



	 <p>7)</p>
<p>Description of change</p>	<p>1) a) T&R QUANTITY CHANGED TO 260 PER REEL, WAS 300 PER REEL b) ORDER INCREMENT CHANGED TO 260, WAS 300</p> <p>2) a) T&R QUANTITY CHANGED TO 260 PER REEL, WAS 300 PER REEL b) ORDER INCREMENT CHANGED TO 260, WAS 300</p> <p>3) a) T&R QUANTITY CHANGED TO 260 PER REEL, WAS 300 PER REEL b) ORDER INCREMENT CHANGED TO 260, WAS 300</p> <p>4) a) T&R QUANTITY CHANGED TO 260 PER REEL, WAS 300 PER REEL b) ORDER INCREMENT CHANGED TO 260, WAS 300</p> <p>5) a) T&R QUANTITY CHANGED TO 260 PER REEL, WAS 300 PER REEL b) ORDER INCREMENT CHANGED TO 260, WAS 300</p> <p>6) a) T&R QUANTITY CHANGED TO 260 PER REEL, WAS 300 PER REEL b) ORDER INCREMENT CHANGED TO 260, WAS 300</p> <p>7) a) T&R QUANTITY CHANGED TO 260 PER REEL, WAS 300 PER REEL b) ORDER INCREMENT CHANGED TO 260, WAS 300</p>
<p>Reason for change</p>	<p>1) a) REDESIGN OF T&R POCKET b) T&R QUANTITY FOR FRAME CHANGED</p> <p>2) a) REDESIGN OF T&R POCKET b) T&R QUANTITY FOR FRAME CHANGED</p> <p>3) a) REDESIGN OF T&R POCKET b) T&R QUANTITY FOR FRAME CHANGED</p> <p>4) a) REDESIGN OF T&R POCKET b) T&R QUANTITY FOR FRAME CHANGED</p> <p>5) a) REDESIGN OF T&R POCKET b) T&R QUANTITY FOR FRAME CHANGED</p> <p>6) a) REDESIGN OF T&R POCKET b) T&R QUANTITY FOR FRAME CHANGED</p> <p>7) a) REDESIGN OF T&R POCKET b) T&R QUANTITY FOR FRAME CHANGED</p>

Effective Date	1) DECEMBER 08, 2020 2) DECEMBER 08, 2020 3) DECEMBER 08, 2020 4) DECEMBER 08, 2020 5) DECEMBER 08, 2020 6) DECEMBER 08, 2020 7) DECEMBER 08, 2020
Additional Notes	1) N/A 2) N/A 3) N/A 4) N/A 5) N/A 6) N/A 7) N/A

Approval:

Director of Engineering	<i>Ryan Sadonis 2020-12-08</i>
--------------------------------	--------------------------------

If you have any questions regarding this notice, please feel free to contact us at 866-832-4364 or engineering@leadertechinc.com.