

Instruction:

1. Fat Wire Stripper, by inserting cable between the stripper blades. Squeeze handles cables must be kept perpendicular and then pulled from the tool.

Available for following cables:

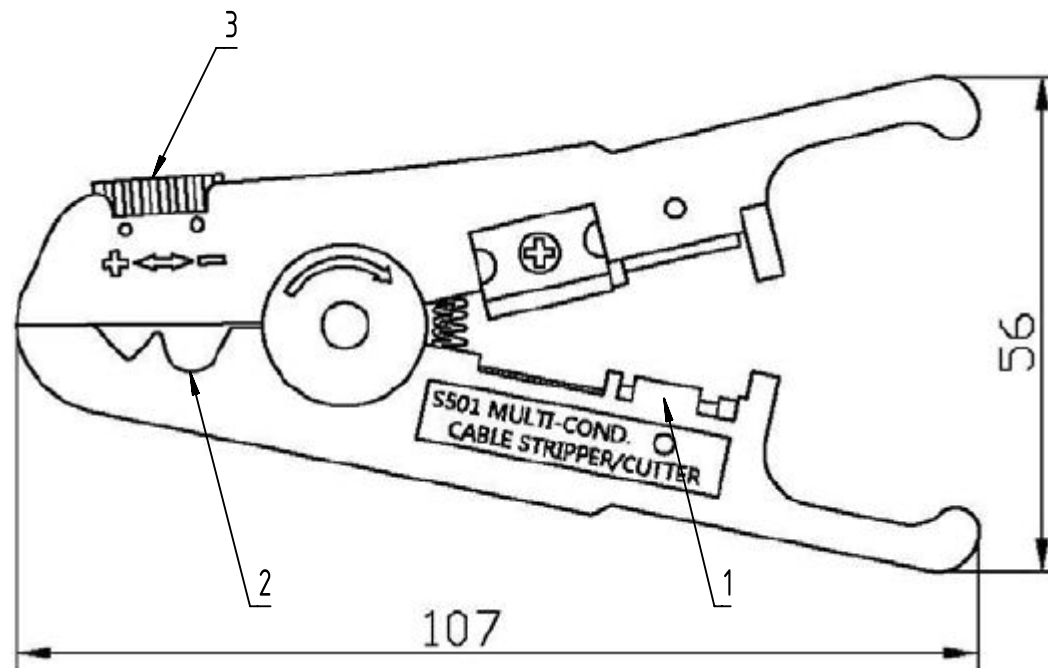
- Stranded phone wire 2p, 4p, 6p, 8p, 10p, etc.
- Intercom/ Alarm wire/ 2-Cond. Speaker wire 18-22 AWG and SPT-1 electric wire


2. Round Cable Stripper, by rotating 1-3 times at counterclockwise and then open the jaw and remove the outer jacket.

Available for following cables:

- Round cable: Though insulation 12-14-16 AWG cable, STP-2 electric wire
- Assorted solid modular wire: UTP, STP, Data Communication wire and Network cable
- Multi-Conductor cable: Insulation O.D. 3.2 mm to 9.5 mm (1/8" to 3/8")
- Automotive/ Heavy-duty wire max. 8 AWG

3. Adjustung Bolt Control for different cable sizes



	All rights reserved Department EC PD - RO	All Dimensions in mm Original Size DIN A4		Scale 1:1	Free size tol.		Ref.	
		HARTING Electronics GmbH D-32339 Espelkamp	Created by TAMAS	Inspected by AVRAM	Standardisation HOFFMANN	Date 2016-01-20	State Final Release	Sub.
Title HARTING RJ1 Universal cable stripping tool							Doc-Key / ECM-Nr. 100527062/UGD/001/B 500000099547	
				Type TB	Number 09458000002		Rev. B	Page 1/1