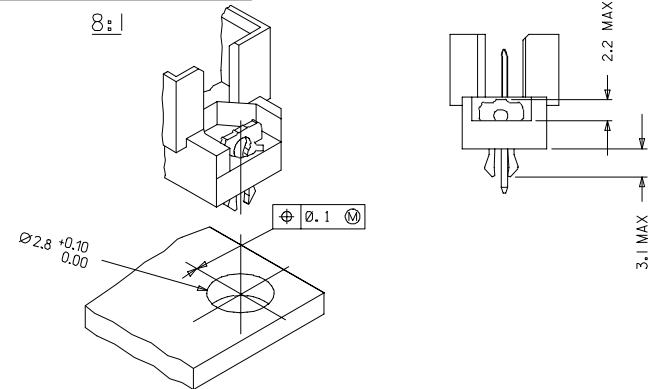


SEE DETAIL Y



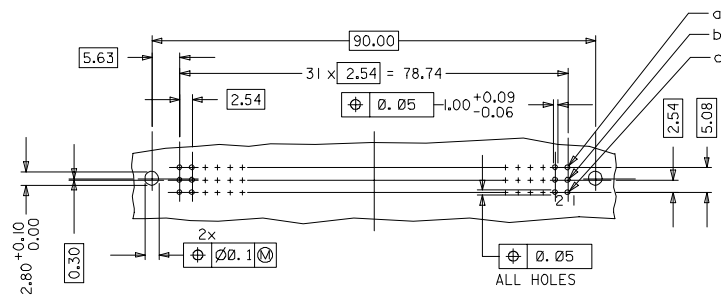
WITH MOUNTING CLIPS



NOTES:

- 1) MATERIALS: THERMOPLASTIC POLYESTER, GLASS FILLED, UL94V-0, COLOUR: PEBBLE GREY RAL 7032
TERMINAL - PHOSPHOR BRONZE
MOUNTING CLIP: STEEL
- 2) FINISH: TERMINAL:-
CONTACT AREA
1. PERFORMANCE LEVEL 1: SELECTIVE GOLD (Au), THICKNESS = 1.1 MICROMETER OVER NICKEL, THICKNESS = 1.25 MICROMETER MIN
2. PERFORMANCE LEVEL 2: SELECTIVE GOLD (Au), THICKNESS = 0.6 MICROMETER OVER NICKEL, THICKNESS = 1.25 MICROMETER MIN
3. PERFORMANCE LEVEL 3: SELECTIVE GOLD (Au), THICKNESS = 0.3 MICROMETER OVER NICKEL, THICKNESS = 1.25 MICROMETER MIN
PRESS-IN AREA: NICKEL, THICKNESS 4.25 MICROMETER MIN OVERALL
WRAP AREA: NICKEL, THICKNESS = 1.25 MICROMETER MIN OVERALL
ADAPTER INSERTION AREA: PERFORMANCE LEVEL 3: SELECTIVE GOLD (Au), THICKNESS = 0.3 MICROMETER OVER NICKEL, THICKNESS = 1.25 MICROMETER MIN
- 3) MOUNTING CLIP:-
TIN (Sn), THICKNESS = 5-10 MICROMETER,
OVER NICKEL (Ni), THICKNESS = 2.5 MICROMETER
- 4) FOR NON MOUNTING CLIP OPTION, CONNECTOR TO BE SECURED WITH RIVETS: 2 TUBULAR RIVETS 2.5 x 0.3 ... DIN 7340
SCREWS: 2 CHEESEHEAD SCREWS M2.5 x ... DIN 84 AND 2 HEXAGONAL NUTS M2.5 DIN 934
- 5) MATERIAL NUMBER, BATCH CODE, UL AND CSA MARKING TO BE PRINTED ON THE CONNECTOR
- 6) CUT FACE OF TIP WITHOUT PLATING PERMITTED
- 7) PRODUCT SPECIFICATION PS-36515-001

RECOMMENDED PCB LAYOUT
COMPONENT SIDE

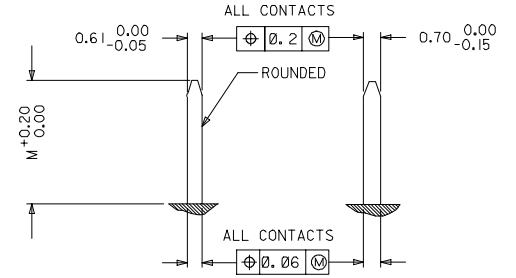


RoHS COMPLIANT

EC No: 2007-0044 DRINGSATTI/MARCO 2006/10/10 CHIKKOSUDHIR 2006/10/11 APPRESSUDHIR 2006/10/15	QUALITY SYMBOLS ▽=0 ▽=0	GENERAL TOLERANCES (UNLESS SPECIFIED)		DIMENSION STYLE MM ONLY		SCALE 2:1	DESIGN UNITS METRIC	THIRD ANGLE PROJECTION	
		4 PLACES ± 0.15 ± ---	INCH	DRAWN BY SS	DATE 1999/09/24	TITLE ASSY, DIN 41612, R MALE 96P, PRESS-IN, WIRE WRAP			
C1	DESCRIPTION	3 PLACES ± 0.05 ± ---	CHECKED BY G J LOWE	DATE 1999/09/24	MOLEX INCORPORATED				
		2 PLACES ± 0.1 ± ---	APPROVED BY G J LOWE	DATE 1999/09/24	MATERIAL NO. SEE CHART	DOCUMENT NO. SD-36515-006	SHEET NO. 1 OF 2		
DRAFT WHERE APPLICABLE MUST REMAIN WITHIN DIMENSIONS		SIZE A 1		THIS DRAWING CONTAINS INFORMATION THAT IS PROPRIETARY TO MOLEX INCORPORATED AND SHOULD NOT BE USED WITHOUT WRITTEN PERMISSION					

MATERIAL No.	MOLEX ENG No.	PERF LEVEL	PLATING	CONTACT SEQUENCE/ROW	DIM "L" MM	MOUNTING CLIP	FMLB
36515-0121	MM-B1467-R960	1	Au + Ni	1,2,3...32 a+b+c	17	NO	NO
36515-0122	MM-B1567-R960	2	Au + Ni	1,2,3...32 a+b+c	17	NO	NO
36515-0123	MM-B1667-R960	3	Au + Ni	1,2,3...32 a+b+c	17	NO	NO
36515-0127	MM-B1467-R910	1	Au + Ni	1,2,3...32 a+b+c	17	YES	NO
36515-0128	MM-B1567-R910	2	Au + Ni	1,2,3...32 a+b+c	17	YES	NO
36515-0129	MM-B1667-R910	3	Au + Ni	1,2,3...32 a+b+c	17	YES	NO
36515-0133	MM-B1467-R930	1	Au + Ni	1,2,3...32 a+b+c	17	NO	1,32a 1,32b 1,32c
36515-0134	MM-B1567-R930	2	Au + Ni	1,2,3...32 a+b+c	17	NO	1,32a 1,32b 1,32c
36515-0135	MM-B1667-R930	3	Au + Ni	1,2,3...32 a+b+c	17	NO	1,32a 1,32b 1,32c
36515-0139	MM-B1467-R950	1	Au + Ni	1,2,3...32 a+b+c	17	YES	1,32a 1,32b 1,32c
36515-0140	MM-B1567-R950	2	Au + Ni	1,2,3...32 a+b+c	17	YES	1,32a 1,32b 1,32c
36515-0141	MM-B1676-R950	3	Au + Ni	1,2,3...32 a+b+c	17	YES	1,32a 1,32b 1,32c

DETAILY DETAILX



PRE MATING CONTACTS	5.4
NORMAL CONTACTS	4.8
	M

RoHS COMPLIANT

EC No: 2007/0044 DRAWING APPROVED 2006/10/10 CHKD/SUBDR 2006/10/11 APPR/SUBDR 2006/10/15	QUALITY SYMBOLS ▽=0 ▽=0	GENERAL TOLERANCES (UNLESS SPECIFIED)		DIMENSION STYLE MM ONLY		SCALE 2:1	DESIGN UNITS METRIC	THIRD ANGLE PROJECTION
		4 PLACES ± 0.15 3 PLACES ± 0.05 2 PLACES ± 0.1 1 PLACE ± 0.15	INCH ± 0.005 ± 0.01 ± 0.015	DRAWN BY SS	DATE 1999/09/24	CHECKED BY GJLOWE	DATE 1999/09/24	ASSY, DIN 41612, R MALE 96P, PRESS-IN, WIRE WRAP
DRAFT WHERE APPLICABLE MUST REMAIN WITHIN DIMENSIONS		SEE CHART		MATERIAL NO. SD-36515-006		MOLEX INCORPORATED		
INCORPORATED AND SHOULD NOT BE USED WITHOUT WRITTEN PERMISSION		SIZE A 1		DOCUMENT NO.		SHEET NO. 2 OF 2		