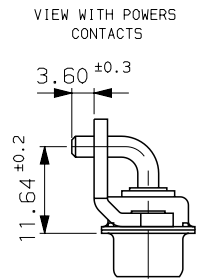
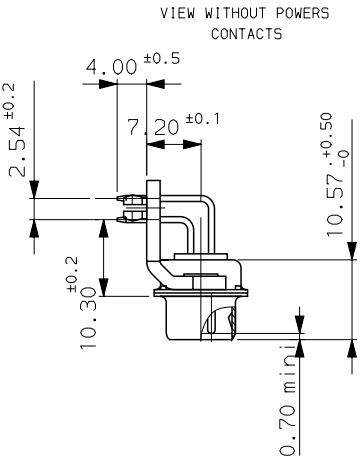
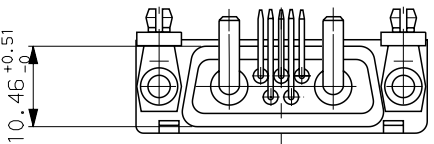
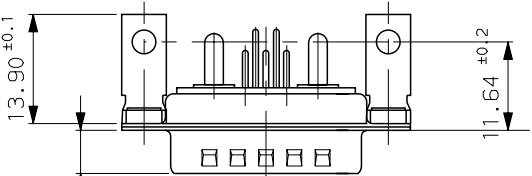
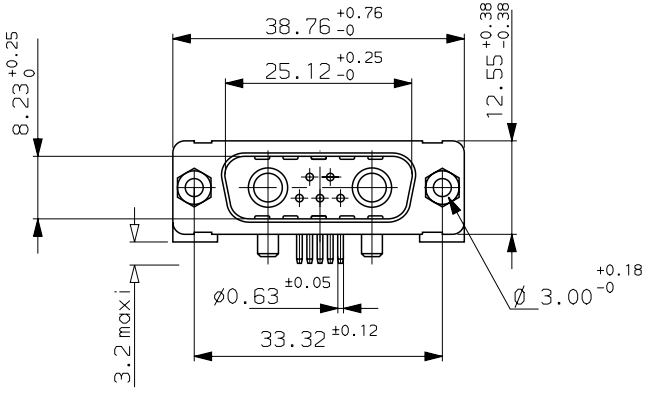
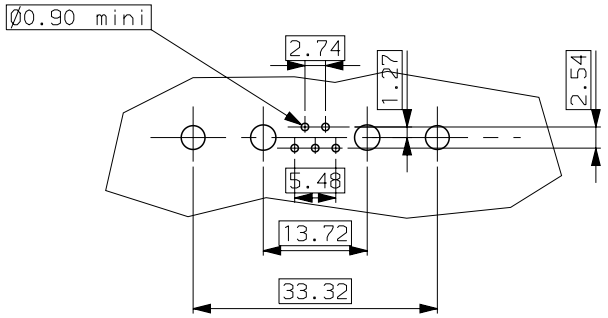


GENERAL CHARACTERISTICS : SEE DRAWING C01-8639-0000



LAYOUT DIMENSIONS (after plating)
CONNECTOR SIDE VIEW



DA7W2P500G40
PART NUMBER

b	20/10/03	update	--
ISS	DATE	Latest modification by : BART.5	MOD N°
Designed by: JARRY		date: 10/04/96	Type of drawing: CLIENT
TITLE : PIN CONNECTOR RIGHT ANGLED WITH POWERS CONTACTS .			SHEET 01
SCALE: 1.5			
		FRAMATOME CONNECTORS FRANCE Rue Louis Breguet - BP 05 72024 LE MANS Cedex Tel. 33 (16) 43.84.08.43	This document is the property of FRAMATOME CONNECTORS FRANCE It must not be reproduced or communicated without permission in writing from the owners
FORMAT	SOURIAU DRG N°		PROJECT
A3	C01-8639-0479		M94D001