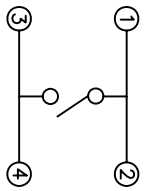
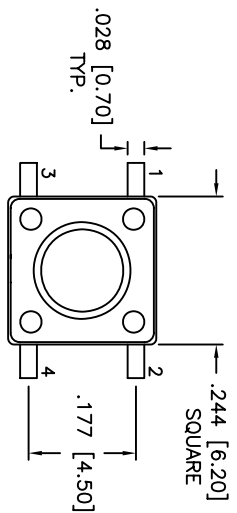
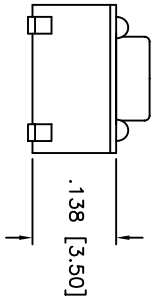
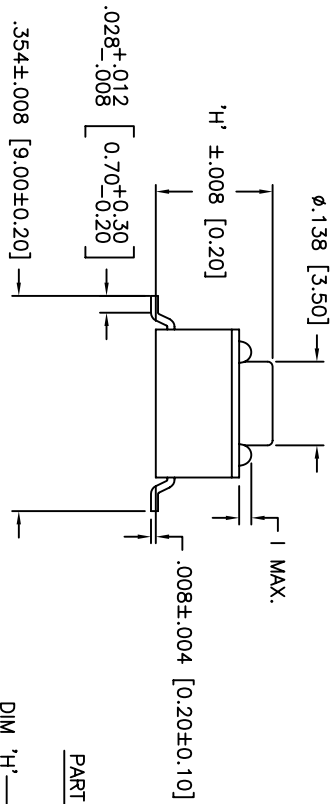


THIS DOCUMENT IS THE PROPERTY OF APEN COMPONENTS AND SHALL NOT BE COPIED, REPRODUCED, DISCLOSED OR USED AS THE BASIS FOR MANUFACTURING OR SALE WITHOUT PERMISSION OF A DULY AUTHORIZED REPRESENTATIVE OF APEN COMPONENTS INC.



SCHEMATIC



PART NUMBER DESCRIPTION

ADTSM6**V*

DIM 'H' = .512 [13.00]
 6 = .374 [9.50]
 5 = .276 [7.00]
 3 = .197 [5.00]
 2 = .169 [4.30]
 1 = .169 [4.30]

ACTUATION FORCE

K = BLACK, 100gf \pm 50gf
 N = BROWN, 160gf \pm 50gf
 R = RED, 260gf \pm 50gf
 S = SALMON, 320gf \pm 80gf
 Y = YELLOW 520gf \pm 130gf

PACKAGING
 B = TUBE
 T/R = TAPE & REEL

CONTACT MATERIAL
 = PHOSPHOR BRONZE
 S = STAINLESS STEEL

PART NUMBER.	DIM. 1
ADTSM62*-6*	.024 MAX
ADTSM61*	.020 MAX

P.C. LAYOUT

UNLESS OTHERWISE SPECIFIED
 P.C. TOLERANCES ARE $\pm .002 [0.50]$

DATE	SYM	REVISION RECORD	DMN.	CK.
4/07	A	ECO# 656	CD	PD
9/07	B	ECO# 706	CD	PD
10/07	C	ECO# 715	CD	PD

DESCRIPTION:
 SPST SMT, NON-GROUNDING TACT SWITCH

SPECIFICATIONS:

CONTACT RATING: 50mA MAX. 12VDC
 INITIAL CONTACT RESISTANCE: 100mOHMS MAX.
 DIELECTRIC STRENGTH: 250VAC FOR 1 MIN.
 INSULATION RESISTANCE: 100MOMHS @ 500VDC
 LIFE: BRASS DOME
 50,000 CYCLES MIN. FOR 320gf, 520gf
 100,000 CYCLES MIN. FOR 260gf
 200,000 CYCLES MIN. FOR 100gf, 160gf
 STEEL DOME
 300,000 CYCLES MIN. FOR 320gf, 520gf
 500,000 CYCLES MIN. FOR 260gf
 1,000,000 CYCLES MIN. FOR 100gf, 160gf
 TRAVEL: .010 [0.25] +.008 [0.20]/-.004 [0.10]
 OPERATING TEMPERATURE RANGE: -25 $^{\circ}$ C TO +70 $^{\circ}$ C
 STORAGE TEMPERATURE RANGE: -30 $^{\circ}$ C TO +80 $^{\circ}$ C
 RATING: 50mA, 12VDC.
 SHOCK TEST: 50G PER METHOD 213B, MIL-STD-202F
 VIBRATION RESISTANCE: PASSES METHOD 201A,
 MIL-STD-202F

MATERIALS:
 COVER: STEEL, TIN PLATED
 BASE: UL94V-0 NYLON THERMOPLASTIC.
 COLOR, BLACK
 STEM: UL94V-0 NYLON THERMOPLASTIC.
 TERMINAL: BRASS WITH SILVER PLATING
 CONTACT DISK: PHOSPHOR BRONZE WITH SILVER CLADDING
 OR STAINLESS STEEL

RoHS COMPLIANT

SOLDERING:
 IR REFLOW: 255 $^{\circ}$ C MAX.
 HAND SOLDERING: 350 $^{\circ}$ C MAX. FOR 5 SECONDS MAX.
 (30 WATT IRON MAX.)

LEAD FREE PROCESS COMPATIBLE

<p>Q.A. INSPECT:</p> <p>DESIGNER'S INITIAL:</p> <p>TOLERANCES (UNLESS OTHERWISE SPECIFIED) .XX = \pm0.005 [0.125] .XXX = \pm0.008 [0.20] .XXXX = \pm0.008 [0.20] ANGLE = 40.5$^{\circ}$</p>	<p>APEN APEN COMPONENTS INC. 63 Nork Rd. Hawthorne, NJ 07035 Phone: 973-772-5554 Fax: 973-772-5554</p>	<p>DRW. CJD</p> <p>CHK. PJD</p> <p>THIRD ANGLE PROJECTION</p>
<p>TITLE 6mm X 6mm SMT TACT SWITCH</p>	<p>SHEET 1 OF 1</p> <p>SIZE B</p> <p>SCALE 5:1</p>	<p>DATE 7/15/05</p> <p>DRAWING NO. ADTSM6**V*</p>
<p>DO NOT SCALE DRAWING</p>	<p>DATE 7/15/05</p>	<p>REV C</p>