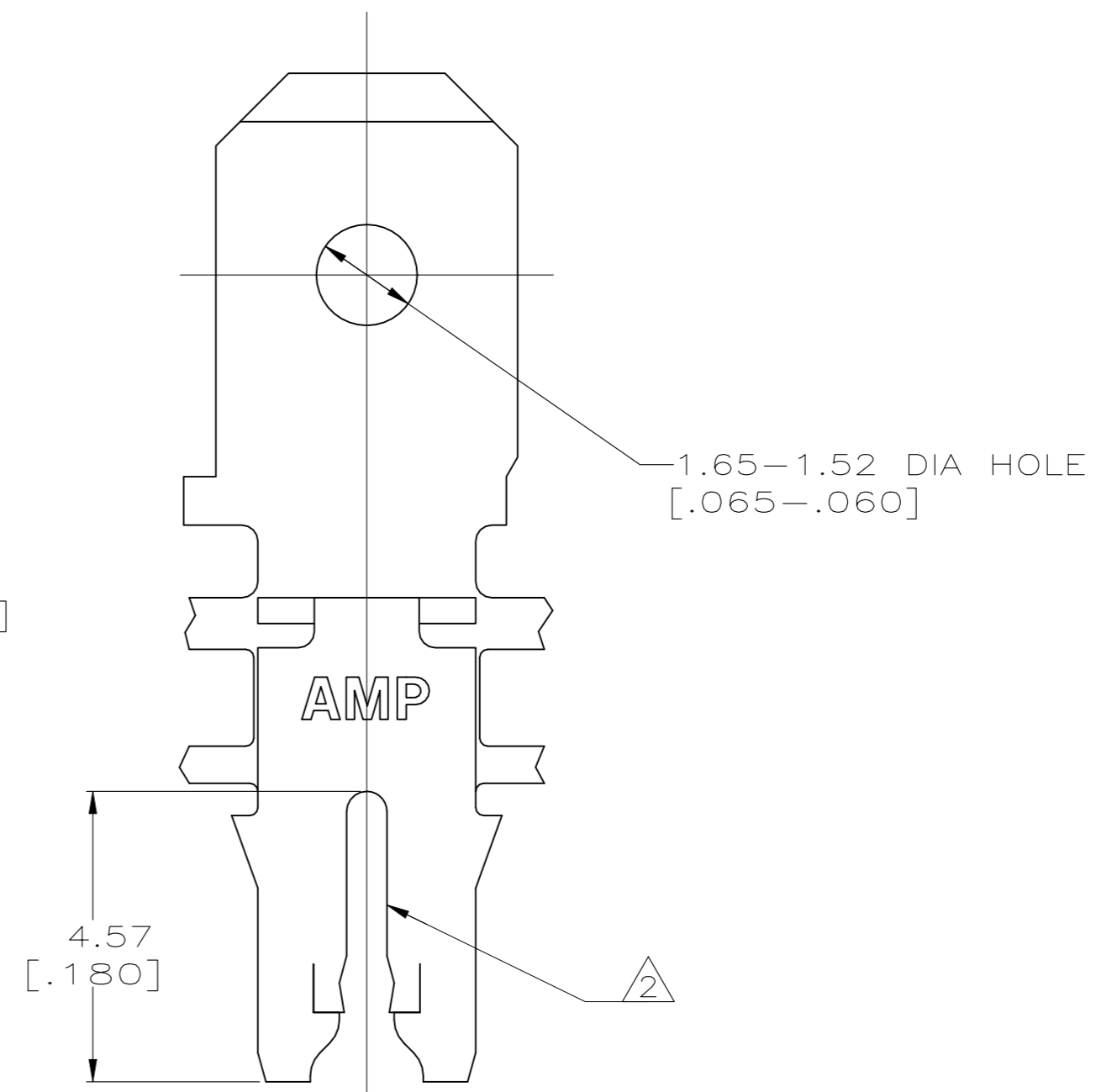
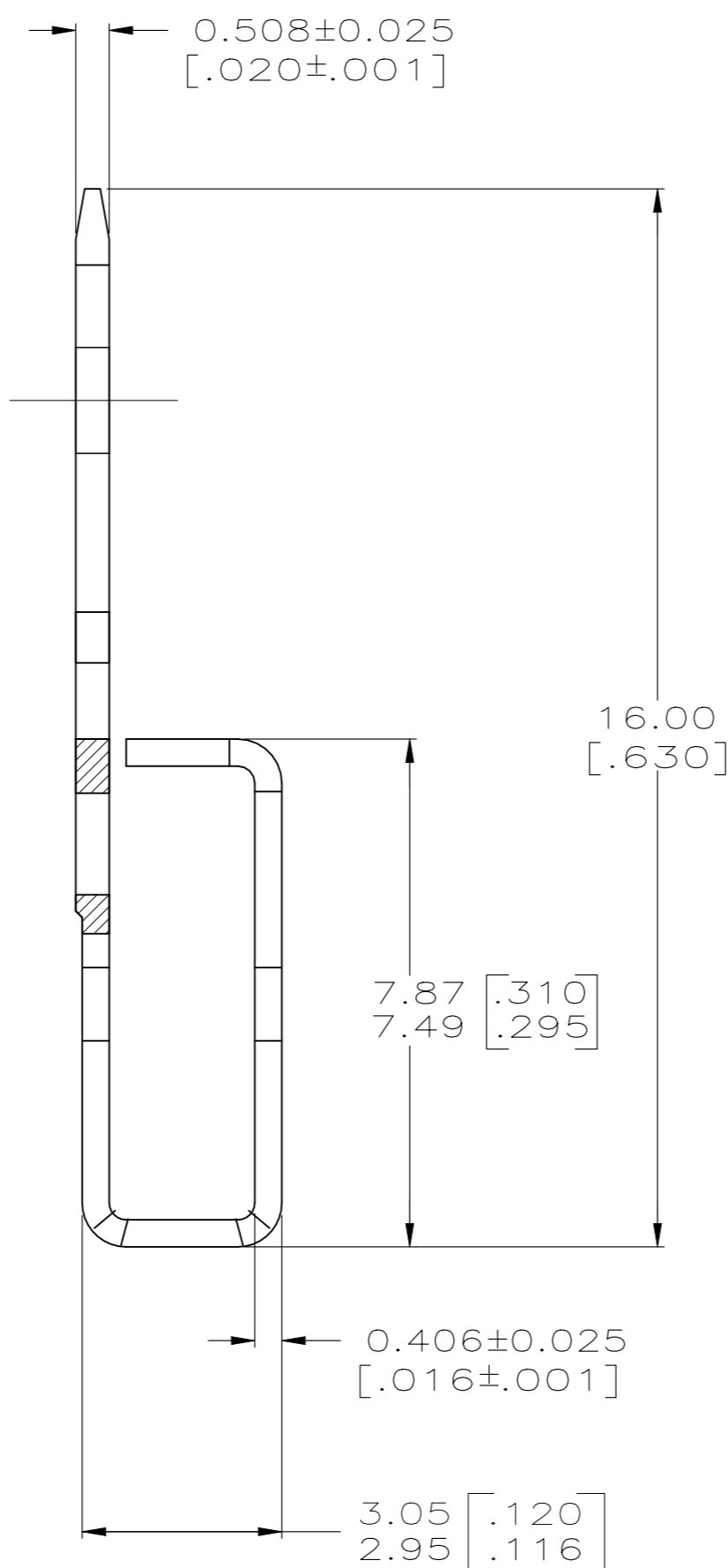
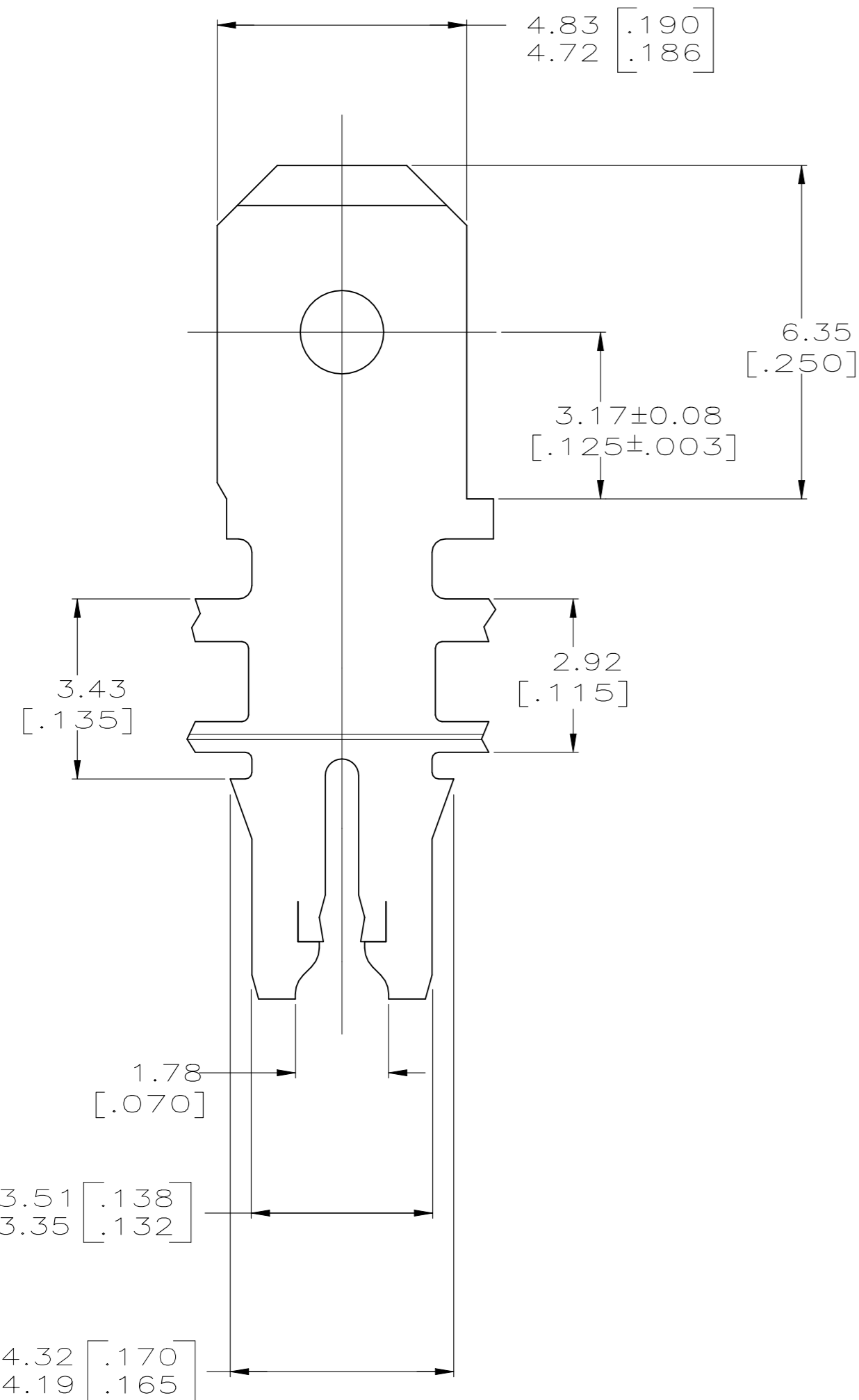
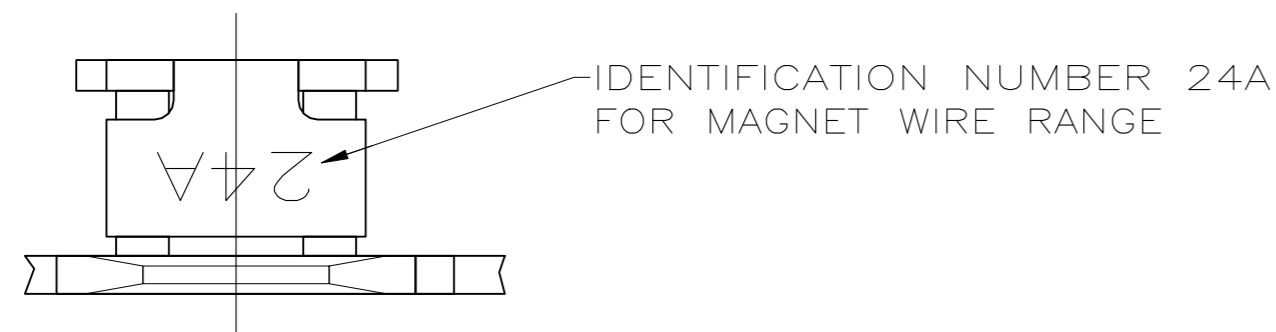


THIS DRAWING IS UNPUBLISHED. RELEASED FOR PUBLICATION
 © COPYRIGHT - By - ALL RIGHTS RESERVED.

| LOC | DIST | REVISIONS | | | |
|-----|------|-------------|---------------------------|-----------|--------|
| P | LTR | DESCRIPTION | DATE | DWN | APVD |
| AF | 50 | E3 | REVISED PER ECR-23-171791 | 04APR2023 | PS CJH |



- 1 CONTINUOUS STRIP ON REELS WITH TERMINALS LOCATED ON 5.59±0.08 [.220±.003] CENTERS
- 2 SLOT TERMINATES A SINGLE MAGNET WIRE ONLY. ALUMINUM RANGE: 0.97-1.22mm [#18.5-#16.5] AWG. ALUMINUM RANGE: 1.25mm WIRE ACCEPTED
- 3 AFTER INSERTION INTO PLASTIC HOLDER TAB PORTION MUST BE BENT OVER 45° TO 90° OR POTTED-IN TO PREVENT PULL-OUT WHEN MATING RECEPTACLE IS DISCONNECTED.
- 4 ANVIL HEIGHT TO BE 2.29±0.13 [.090±.005]
- 5 VARNISH RESIST OVER TIN PLATE

| | | | |
|---|----------|-----------|---------|
| 5 | REVERSE | TIN PLATE | 63668-3 |
| | STANDARD | TIN PLATE | 63668-2 |
| 5 | STANDARD | TIN PLATE | 63668-1 |
| | REELING | FINISH | PART NO |

THIS DRAWING IS A CONTROLLED DOCUMENT.

| | | | | | | | | | | | |
|------------------|------------------|--------|-----------|--|-----------|-------|------------|---------|---------------|-----|----|
| DWN | MICHAEL S. FEHER | 9/3/92 | | TE Connectivity TERMINAL, TAB, 4.75 [.187] FASTON, MAG-MATE | | | | | | | |
| CHK | JEFF R. RUTH | 9/4/92 | | | | | | | | | |
| APVD | TERRY SHUTTER | 9/4/92 | | | | | | | | | |
| PRODUCT SPEC | 108-2012 | | | | | | | | | | |
| APPLICATION SPEC | 114-2046 | 4 | SIZE | A2 | CAGE CODE | 00779 | DRAWING NO | C=63668 | RESTRICTED TO | - | |
| MATERIAL | BRASS | FINISH | SEE TABLE | WEIGHT | - | SCALE | 10:1 | SHEET | 1 OF 1 | REV | E3 |

CUSTOMER DRAWING