

Loop-powered isolators - MINI MCR-2-UI-I-OLP-PT - 2902063

Please be informed that the data shown in this PDF Document is generated from our Online Catalog. Please find the complete data in the user's documentation. Our General Terms of Use for Downloads are valid (<http://phoenixcontact.com/download>)



Output loop-powered 2-way isolator with plug-in connection technology for the electrical isolation of unipolar and bipolar analog signals. Input configurable via DIP switch. Push-in connection technology, standard configuration.

Product Description

Output loop-powered 2-way isolator with plug-in connection technology for the electrical isolation, conversion, and filtering of analog signals. The output loop-powered isolator allows operation at an active analog input module. The device is supplied via the current loop of the controller. On the input side, standard analog signals and non-standard analog signals can be connected, ranging from 2 mA or 50 mV up to 40 mA or 30 V. These are converted to 4 mA ... 20 mA signals. You can configure the input signals via DIP switches. The measuring transducer supports NFC communication.



Key Commercial Data

Packing unit	1 STK
GTIN	
GTIN	4046356652117

Technical data

Note

Utilization restriction	EMC: class A product, see manufacturer's declaration in the download area
-------------------------	---

Dimensions

Width	6.2 mm
Height	110.5 mm
Depth	120.5 mm

Ambient conditions

Ambient temperature (operation)	-40 °C ... 70 °C
Ambient temperature (storage/transport)	-40 °C ... 85 °C

Input data

Number of inputs	1
------------------	---

Loop-powered isolators - MINI MCR-2-UI-I-OLP-PT - 2902063

Technical data

Input data

Configurable/programmable	Yes
Voltage input signal	0 mV ... 1000 mV
	0 mV ... 750 mV
	0 mV ... 500 mV
	0 mV ... 300 mV
	0 mV ... 250 mV
	0 mV ... 200 mV
	0 mV ... 125 mV
	0 mV ... 120 mV
	0 mV ... 150 mV
	0 mV ... 100 mV
	0 mV ... 75 mV
	0 mV ... 60 mV
	0 mV ... 50 mV
	0 V ... 10 V
	0 V ... 7.5 V
	0 V ... 5 V
	0 V ... 3 V
	0 V ... 2.5 V
	0 V ... 2 V
	0 V ... 1.5 V
	0 V ... 1.25 V
	0 V ... 1.2 V
	0 V ... 30 V
	0 V ... 25 V
	0 V ... 20 V
	0 V ... 12.5 V
	0 V ... 12 V
	0 V ... 15 V
	-1000 mV ... 1000 mV
	-750 mV ... 750 mV
	-500 mV ... 500 mV
	-300 mV ... 300 mV
	-250 mV ... 250 mV
	-200 mV ... 200 mV
	-125 mV ... 125 mV
	-120 mV ... 120 mV
	-150 mV ... 150 mV
	-100 mV ... 100 mV
	-75 mV ... 75 mV

Loop-powered isolators - MINI MCR-2-UI-I-OLP-PT - 2902063

Technical data

Input data

	-60 mV ... 60 mV
	-50 mV ... 50 mV
	-10 V ... 10 V
	-7.5 V ... 7.5 V
	-5 V ... 5 V
	-3 V ... 3 V
	-2.5 V ... 2.5 V
	-2 V ... 2 V
	-1.25 V ... 1.25 V
	-1.2 V ... 1.2 V
	-1.5 V ... 1.5 V
	-30 V ... 30 V
	-25 V ... 25 V
	-20 V ... 20 V
	-12.5 V ... 12.5 V
	-12 V ... 12 V
	-15 V ... 15 V
	2 V ... 10 V (additional areas can be configured, see table)
	1 V ... 5 V
Current input signal	0 mA ... 40 mA
	0 mA ... 30 mA
	0 mA ... 20 mA
	0 mA ... 12 mA
	0 mA ... 10 mA
	0 mA ... 8 mA
	0 mA ... 7.5 mA
	0 mA ... 5 mA
	0 mA ... 6 mA
	0 mA ... 4 mA
	0 mA ... 3 mA
	0 mA ... 2.5 mA
	0 mA ... 2 mA
	4 mA ... 20 mA
	2 mA ... 10 mA
	1 mA ... 5 mA
max. input voltage	< 30 V
Max. input current	50 mA (Dielectric strength up to 30 V)
Input resistance of voltage input	approx. 100 kΩ (At ≤ 1 V, otherwise approximately 1 MΩ)
Input resistance current input	25 Ω (+ 0.7 V for test diode)

Output data

Loop-powered isolators - MINI MCR-2-UI-I-OLP-PT - 2902063

Technical data

Output data

Number of outputs	1
Current output signal	4 mA ... 20 mA
Max. output current	32 mA
Load/output load current output	< 1000 Ω ((U _B - 8 V) / 22 mA)
Ripple	< 10 mV _{rms} (at 600 Ω)

Power supply

Supply voltage range	8 V DC ... 30 V DC (no separate supply voltage necessary)
Typical current consumption	≤ 20 mA
Power consumption	≤ 600 mW

Connection data

Connection method	Push-in connection
Single conductor/terminal point, solid, with ferrule, min.	0.14 mm ²
Single conductor/terminal point, solid, with ferrule, max.	2.5 mm ²
Single conductor/terminal point, solid, without ferrule, min.	0.14 mm ²
Single conductor/terminal point, solid, without ferrule, max.	2.5 mm ²
Conductor cross section flexible min.	0.14 mm ²
Conductor cross section flexible max.	2.5 mm ²
Min. AWG conductor cross section, flexible	24
Max. AWG conductor cross section, flexible	12
Stripping length	10 mm

General

No. of channels	1
Maximum transmission error	≤ 0.1 % (of final value)
Maximum temperature coefficient	0.01 %/K
Temperature coefficient, typical	0.005 %/K
Limit frequency (3 dB)	approx. 30 Hz
Step response (10-90%)	20 ms
Electrical isolation	Reinforced insulation in accordance with IEC 61010-1
Overvoltage category	II
Degree of pollution	2
Rated insulation voltage	300 V (effective)
Test voltage, input/output/supply	3 kV (50 Hz, 1 min.)
Electromagnetic compatibility	Conformance with EMC directive
Noise emission	EN 61000-6-4
Noise immunity	EN 61000-6-2 When being exposed to interference, there may be minimal deviations.
Color	gray
Housing material	PBT
Mounting position	any
Conformance	CE-compliant

Loop-powered isolators - MINI MCR-2-UI-I-OLP-PT - 2902063

Technical data

General

ATEX	# II 3 G Ex nA IIC T4 Gc X
UL, USA/Canada	UL 508 Listed
	Class I, Div. 2, Groups A, B, C, D T5
	Class I, Zone 2, Group IIC T5
GL	GL applied for
Fire protection for rail vehicles (DIN EN 45545-2) R22	HL 1 - HL 2
Fire protection for rail vehicles (DIN EN 45545-2) R23	HL 1 - HL 2
Fire protection for rail vehicles (DIN EN 45545-2) R24	HL 1 - HL 2

Standards and Regulations

Electromagnetic compatibility	Conformance with EMC directive
Noise emission	EN 61000-6-4
Electrical isolation	Reinforced insulation in accordance with IEC 61010-1
Conformance	CE-compliant
ATEX	# II 3 G Ex nA IIC T4 Gc X
UL, USA/Canada	UL 508 Listed
	Class I, Div. 2, Groups A, B, C, D T5
	Class I, Zone 2, Group IIC T5
GL	GL applied for
Fire protection for rail vehicles (DIN EN 45545-2) R22	HL 1 - HL 2 HL 1 - HL 2 HL 1 - HL 2
Fire protection for rail vehicles (DIN EN 45545-2) R23	HL 1 - HL 2 HL 1 - HL 2 HL 1 - HL 2
Fire protection for rail vehicles (DIN EN 45545-2) R24	HL 1 - HL 2 HL 1 - HL 2 HL 1 - HL 2
Fire protection for rail vehicles (DIN EN 45545-2) R26	HL 1 - HL 2 HL 1 - HL 2 HL 1 - HL 2

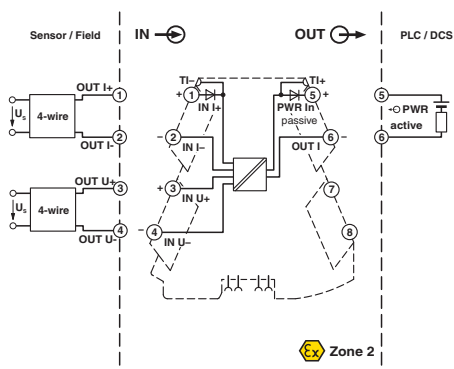
Environmental Product Compliance

China RoHS	Environmentally Friendly Use Period = 50
	For details about hazardous substances go to tab "Downloads", Category "Manufacturer's declaration"

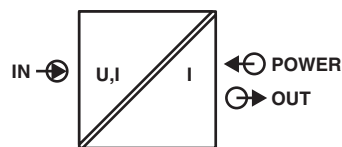
Drawings

Loop-powered isolators - MINI MCR-2-UI-I-OLP-PT - 2902063

Block diagram



Pictogram



Approvals

Approvals

Approvals

UL Listed / cUL Listed / EAC / cULus Listed

Ex Approvals

UL Listed / cUL Listed / ATEX / cULus Listed

Approval details

UL Listed		http://database.ul.com/cgi-bin/XYV/template/LISEXT/1FRAME/index.htm	FILE E 238705
-----------	--	---	---------------

cUL Listed		http://database.ul.com/cgi-bin/XYV/template/LISEXT/1FRAME/index.htm	FILE E 238705
------------	--	---	---------------

EAC			RU C- DE.A*30.B.01082
-----	--	--	--------------------------

cULus Listed			
--------------	--	--	--

Phoenix Contact 2018 © - all rights reserved
<http://www.phoenixcontact.com>

PHOENIX CONTACT GmbH & Co. KG
Flachmarktstr. 8
32825 Blomberg
Germany
Tel. +49 5235 300
Fax +49 5235 3 41200
<http://www.phoenixcontact.com>