

| LOC | DIST | REVISIONS |     |                           |           |     |      |
|-----|------|-----------|-----|---------------------------|-----------|-----|------|
| GP  | 00   | P         | LTN | DESCRIPTION               | DATE      | OWN | APVD |
|     |      | F3        |     | REVISED PER ECO-18-008086 | 24MAY2018 | IT  | SH   |
|     |      | G         |     | REVISED PER ECN-21-116787 | 07SEP2021 | TP  | SZ   |
|     |      | G1        |     | REVISED PER ECN-21-122057 | 12OCT2021 | TP  | SZ   |

1. MATERIAL:  
 CAGE - 0.25mm THICK NICKEL SILVER ALLOY  
 HEATSINK - ALUMINUM  
 HEATSINK CLIP - STAINLESS STEEL  
 EMI SPRING(S) - COPPER ALLOY

2. FINISH:  
 HEATSINK - ELECTROLESS NICKEL  
 HEATSINK CLIP - PASSIVATE  
 EMI SPRING(S) - 0.8um MIN MATTE TIN OVER 0.8um MIN NICKEL,  
 NON-PLATED EDGES PERMISSIBLE.

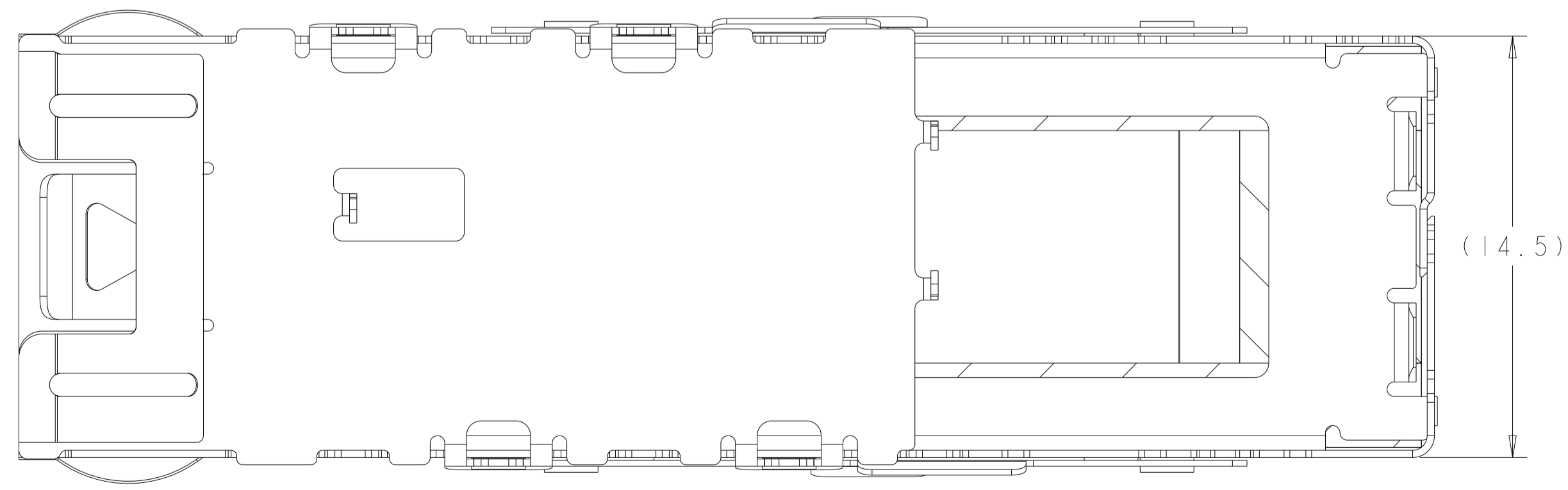
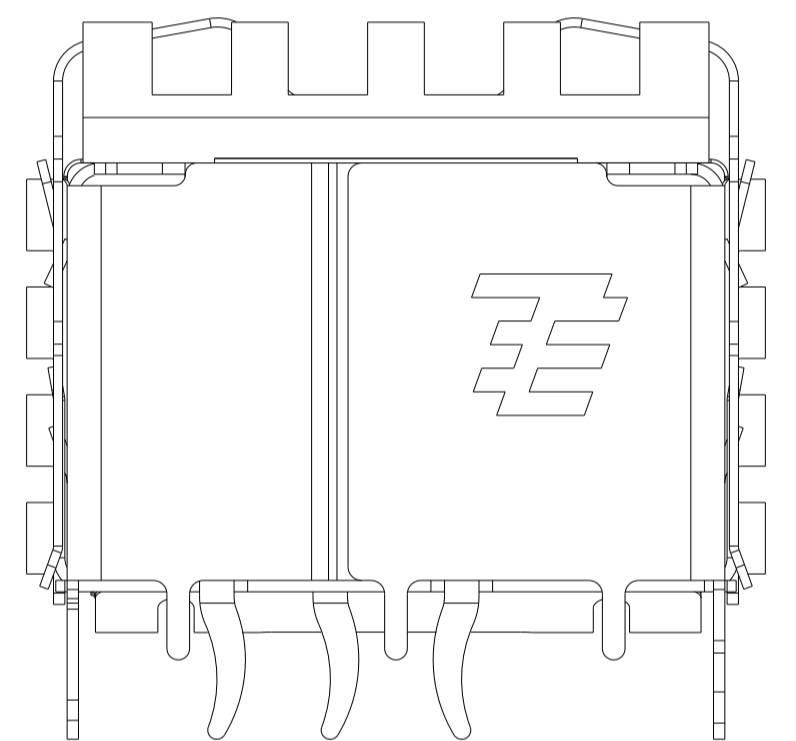
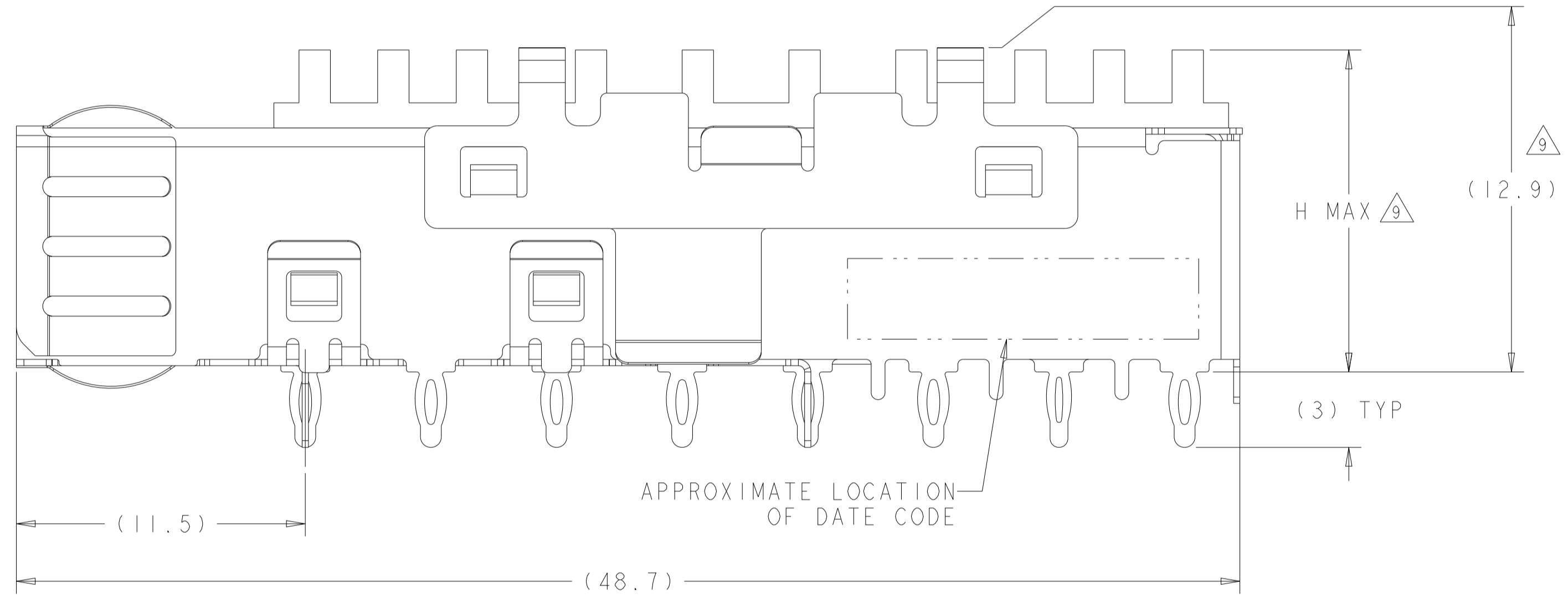
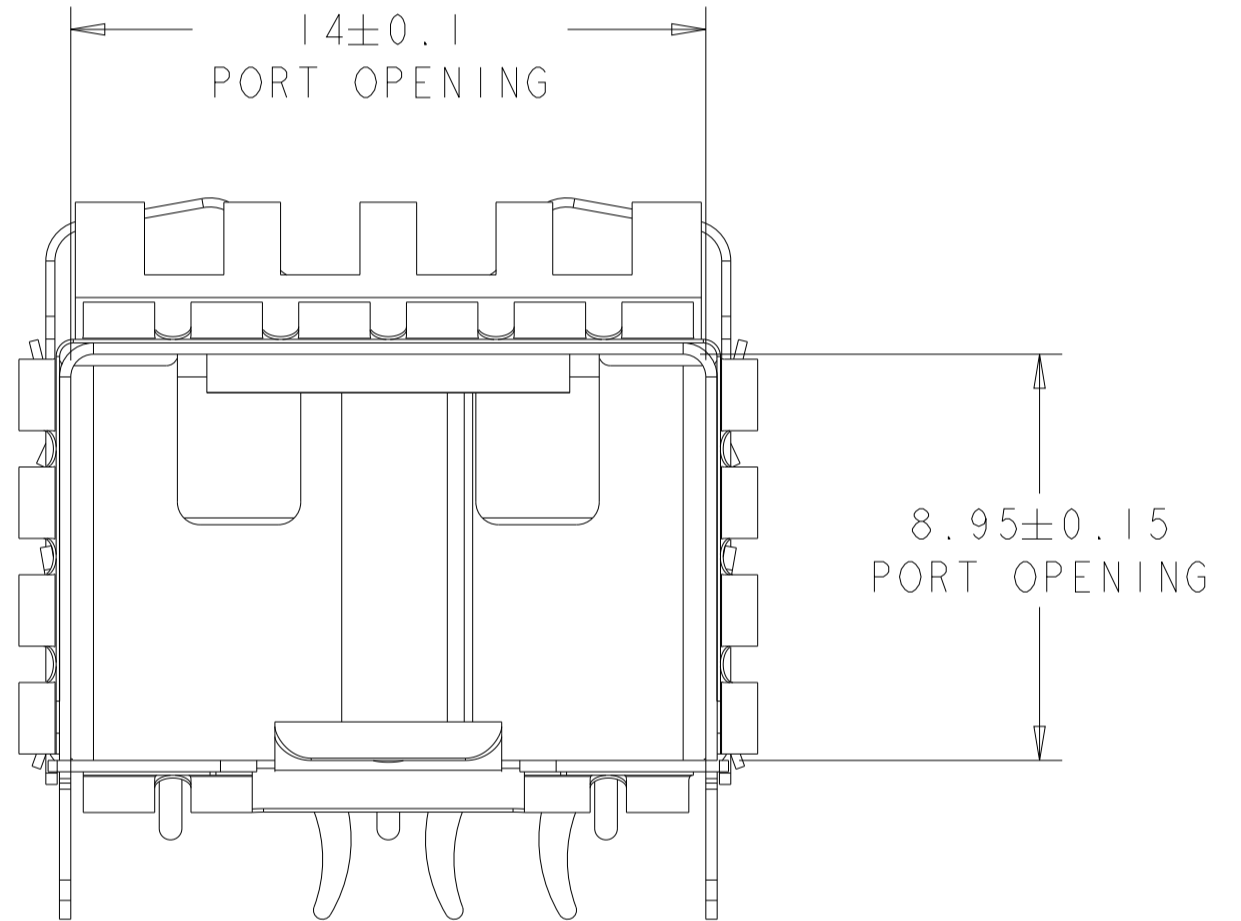
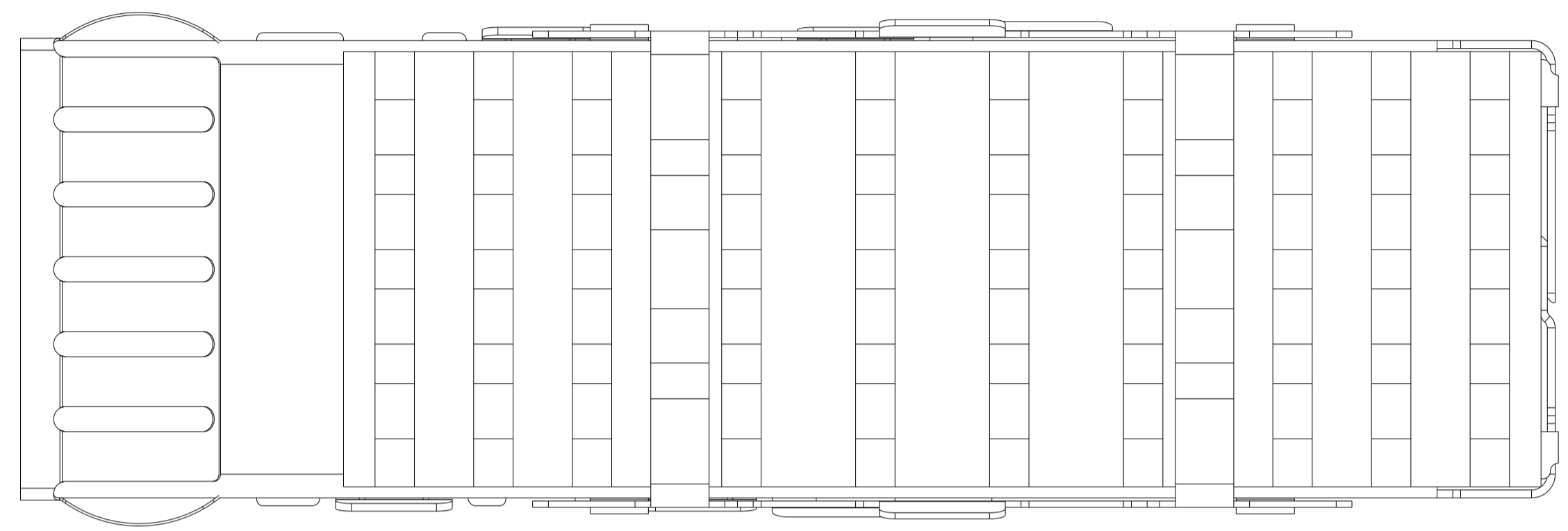
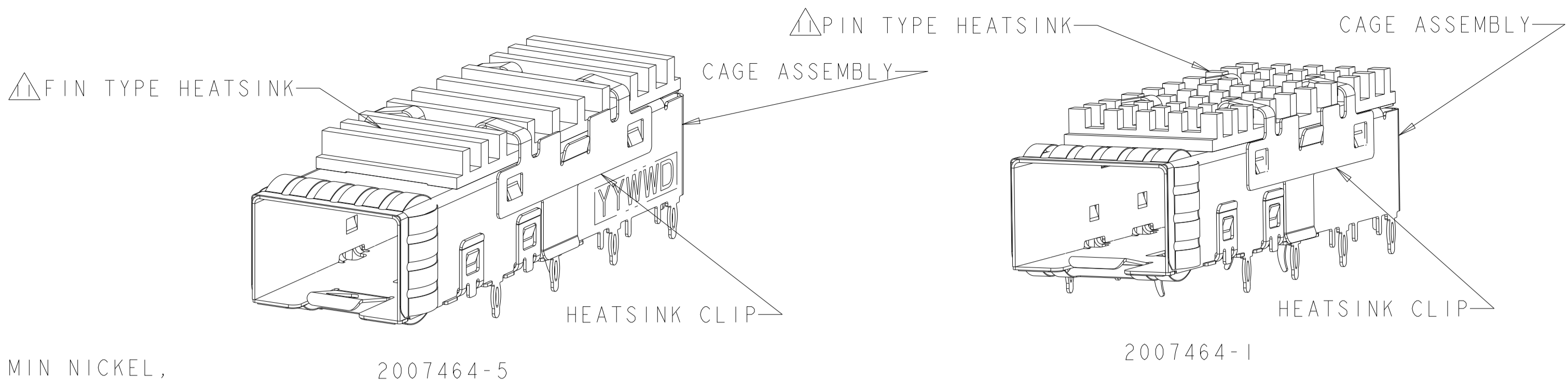
3. MATES WITH SFP MSA COMPLIANT TRANSCEIVERS.

4. PADS AND VIAS CHASSIS GROUND.

5. DATUM AND BASIC DIMENSION ESTABLISHED BY CUSTOMER.

6. MINIMUM PC BOARD THICKNESS:  
 SINGLE SIDED = 1.50mm  
 DOUBLE SIDED = 3.00mm

7. REFERENCE APPLICATION SPEC. 114-13120, HOLE A, FOR  
 RECOMMENDED DRILL HOLE DIAMETER AND PLATING THICKNESS.



8. REFERENCE APPLICATION SPEC. 114-13120, HOLE C, FOR  
 RECOMMENDED DRILL HOLE DIAMETER AND PLATING THICKNESS.

9. DIMENSION APPLIES PRIOR TO INSERTION OF SFP MODULE.

10. CAGE ASSEMBLY, HEATSINK CLIP AND HEATSINK SHIPPED  
 ASSEMBLED.

11. HEAT SINK REFERENCE PART NUMBERS:  
 1829903-2 = 4.2 HIGH - PCI, PIN TYPE  
 1829904-2 = 6.5 HIGH - SAN, PIN TYPE  
 1829905-2 = 13.5 HIGH - NETWORKING, PIN TYPE  
 2170426-4 = 4.2 HIGH - PCI, FIN TYPE  
 2170427-4 = 6.5 HIGH - SAN, FIN TYPE  
 2170428-4 = 13.5 HIGH - NETWORKING, FIN TYPE  
 2399834-1 = 19.2 HIGH - NETWORKING, FIN TYPE

12. REMOVED

| DESCRIPTION         | H MAX | APPLICATION | PART NUMBER |
|---------------------|-------|-------------|-------------|
| W/O INSULATING TAPE | 28.5  | NETWORKING  | 1-2007464-1 |
| W/O INSULATING TAPE | 13.5  | PCI         | 1-2007464-0 |
| W/O INSULATING TAPE | 13.5  | PCI         | 2007464-9   |
| W/ INSULATING TAPE  | 22.8  | NETWORKING  | 2007464-8   |
| W/O INSULATING TAPE | 22.8  | NETWORKING  | 2007464-7   |
| W/O INSULATING TAPE | 15.8  | SAN         | 2007464-6   |
| W/O INSULATING TAPE | 13.5  | PCI         | 2007464-5   |
| W/ INSULATING TAPE  | 22.8  | NETWORKING  | 2007464-4   |
| W/O INSULATING TAPE | 22.8  | NETWORKING  | 2007464-3   |
| W/O INSULATING TAPE | 15.8  | SAN         | 2007464-2   |
| W/O INSULATING TAPE | 13.5  | PCI         | 2007464-1   |

THIS DRAWING IS A CONTROLLED DOCUMENT.

OWN: Z.M.BEAM 20NOV2007  
 CHG: M.B.SCHMITT 20NOV2007  
 APVD: H.H.WERTZ 20NOV2007

TE Connectivity

NAME: SFP+ IXI CAGE ASSEMBLY, PRESS-FIT PRESS-FIT, EMI SPRINGS WITH HEATSINK

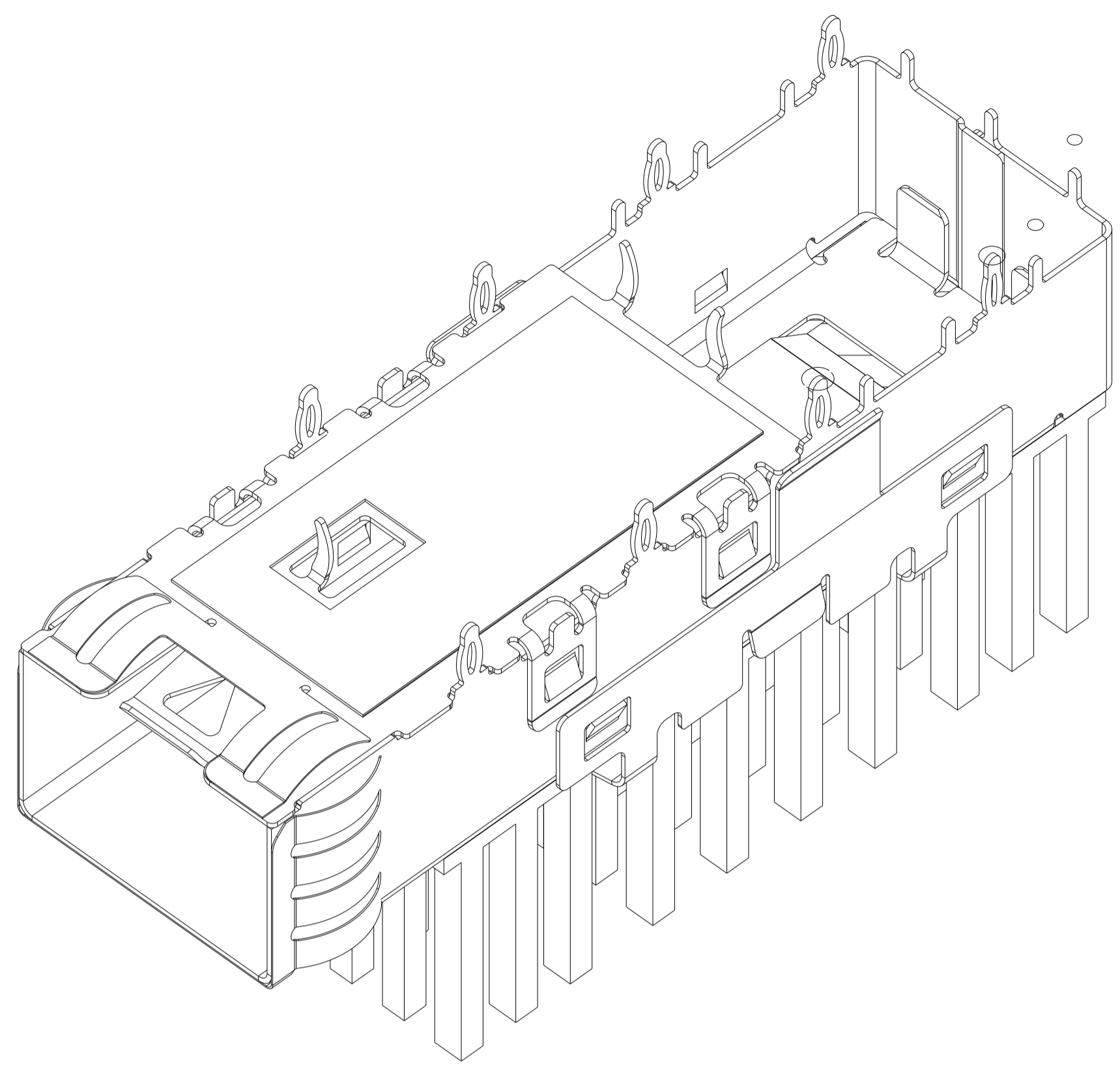
PRODUCT SPEC: 108-2364  
 APPLICATION SPEC: 114-13120

SIZE: A1  
 CAGE CODE: 00779  
 DRAWING NO: 2007464

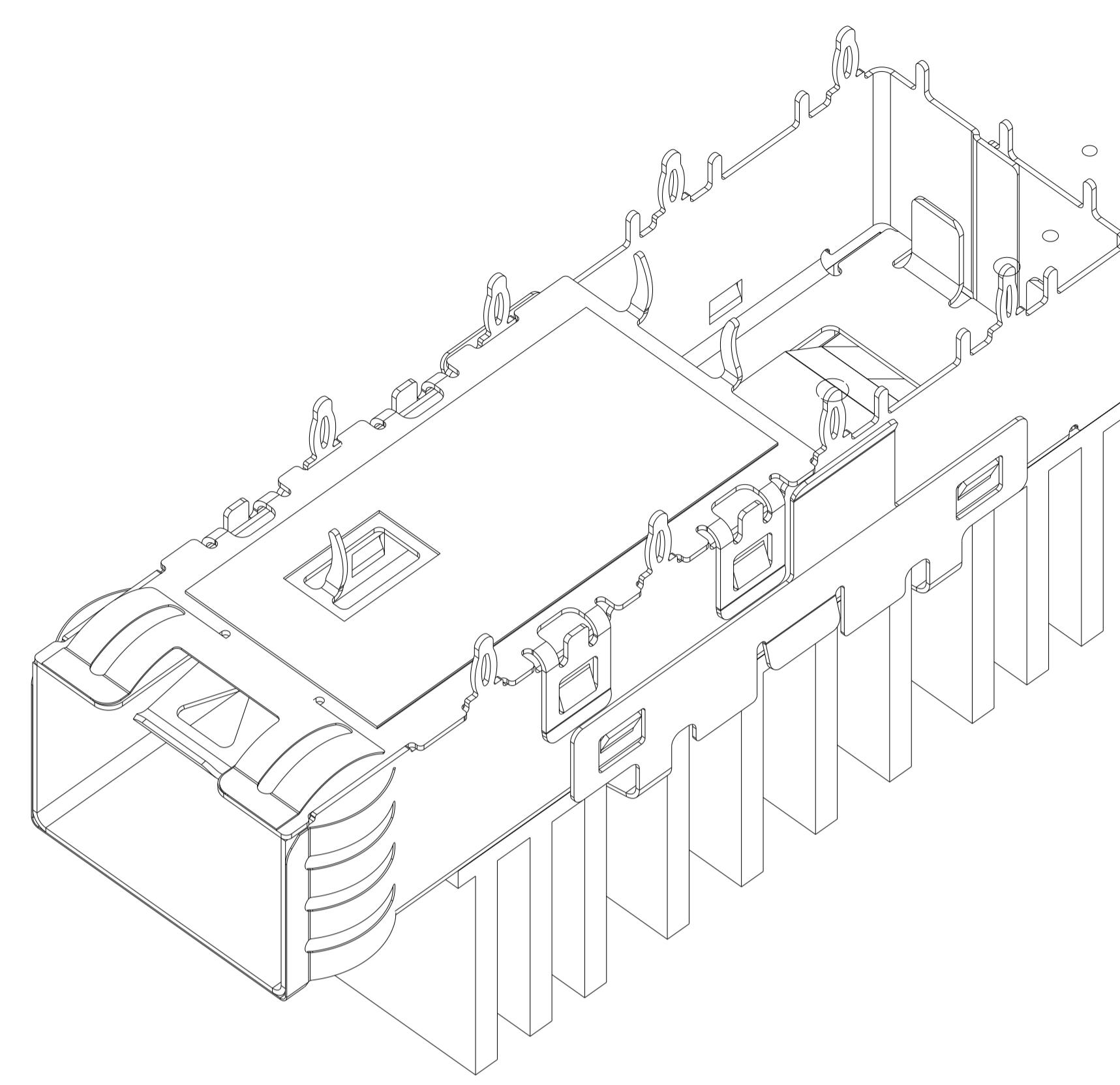
RESTRICTED TO: -

Customer Drawing SCALE: 6:1 SHEET: 1 OF 4 REV: G1

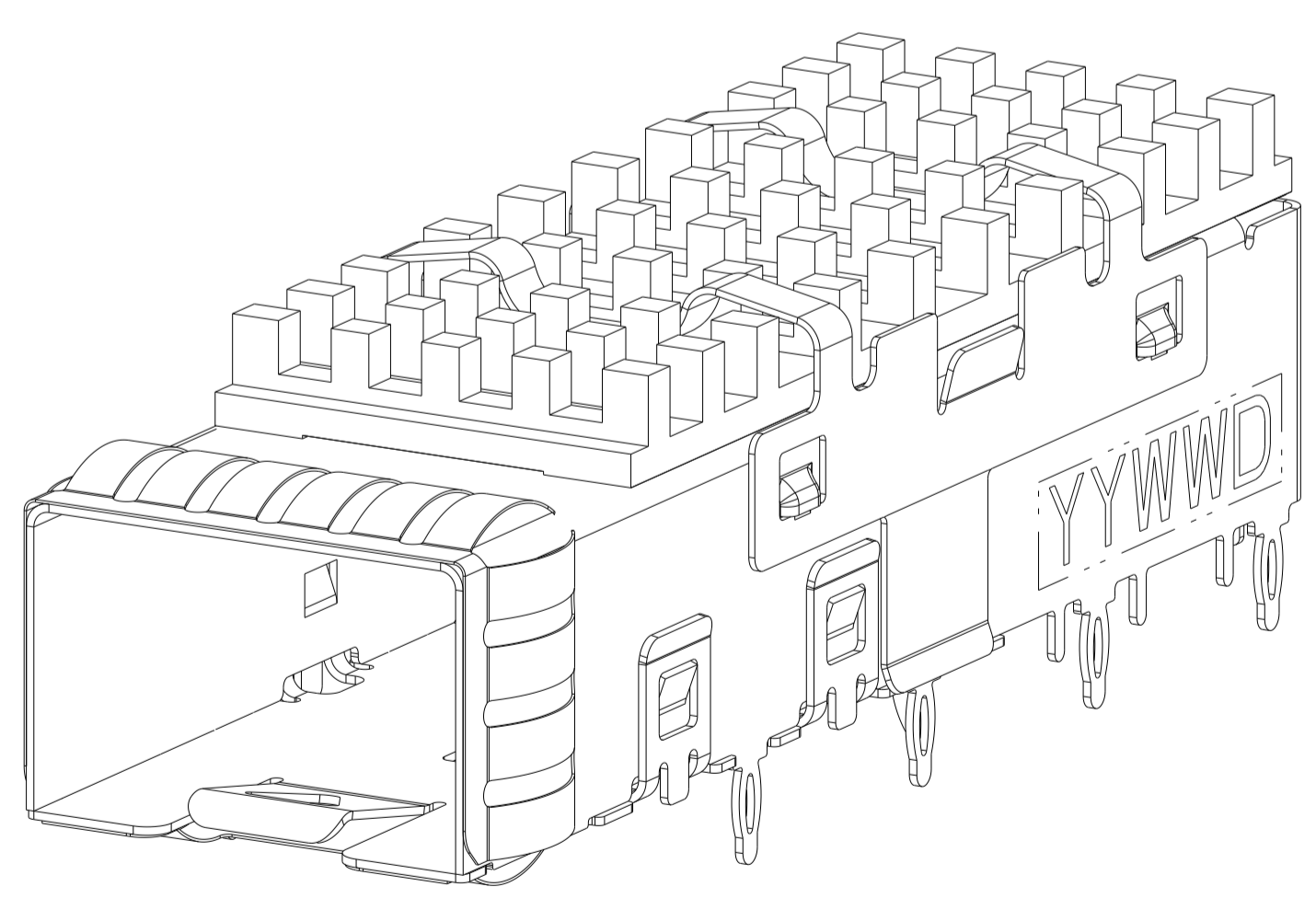
| LOC |     | DIST        |      | REVISIONS |      |  |  |
|-----|-----|-------------|------|-----------|------|--|--|
| P   | LYR | DESCRIPTION | DATE | DMN       | APVD |  |  |
| -   | -   | SEE SHEET 1 | -    | -         | -    |  |  |
|     |     |             |      |           |      |  |  |
|     |     |             |      |           |      |  |  |



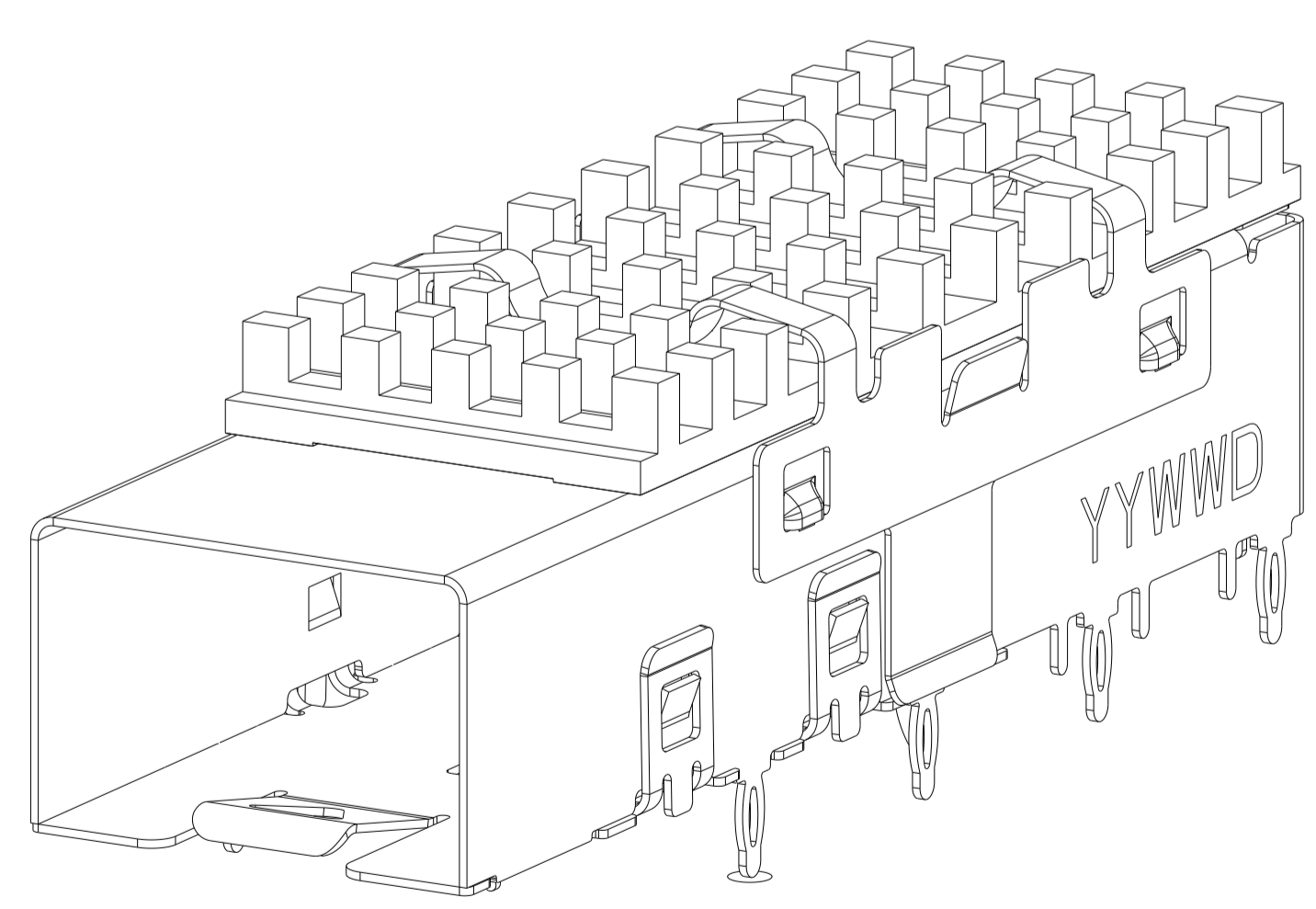
2007464-4 AS SHOWN WITH INSULATING TAPE,PIN TYPE HEAT SINK  
 2007464-1,2,3 WITHOUT INSULATING TAPE,TAPE,PIN TYPE HEAT SINK



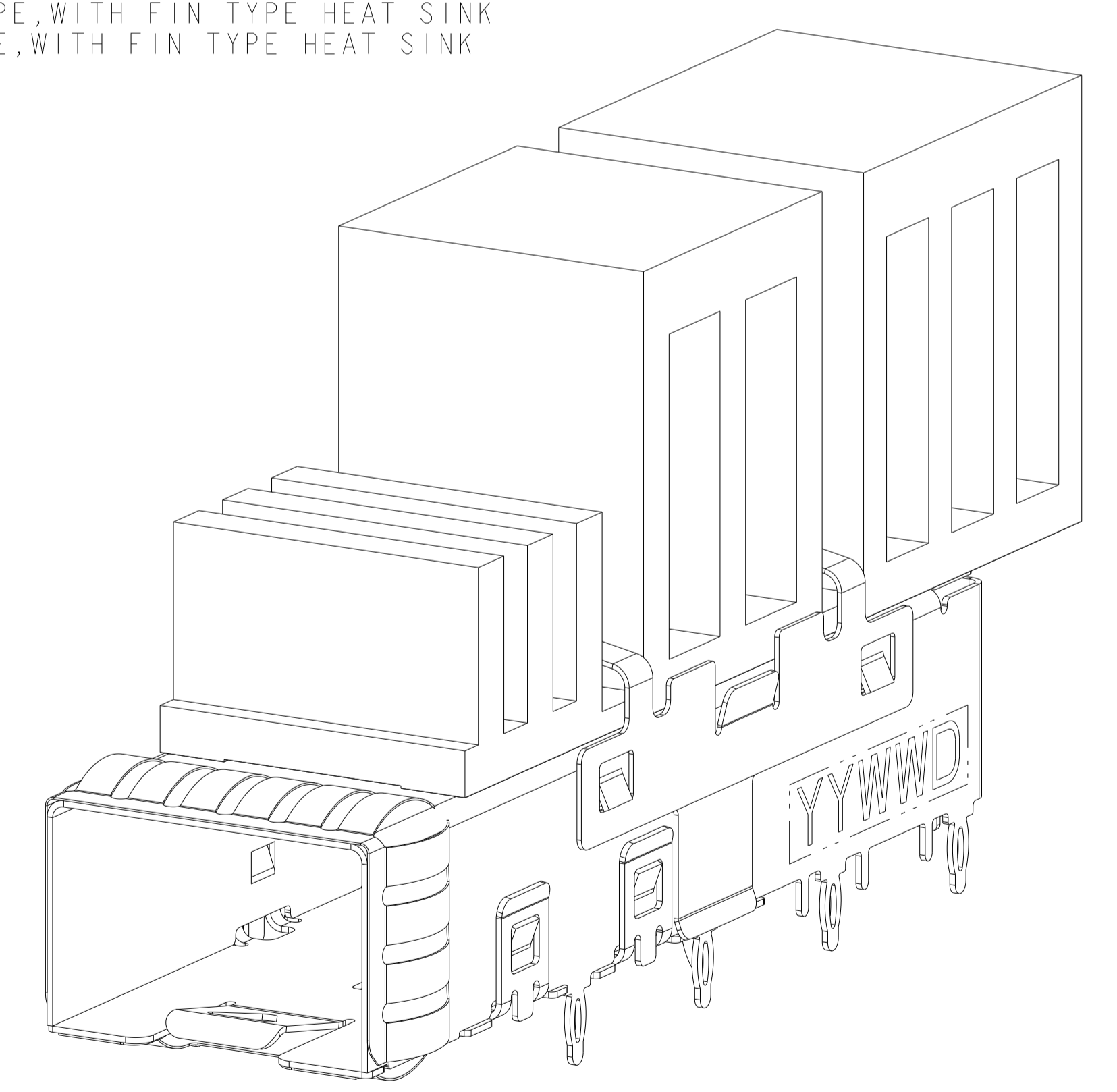
2007464-8 AS SHOWN WITH INSULATING TAPE,WITH FIN TYPE HEAT SINK  
 2007464-5,6,7 WITHOUT INSULATING TAPE,WITH FIN TYPE HEAT SINK



2007464-9 AS SHOWN



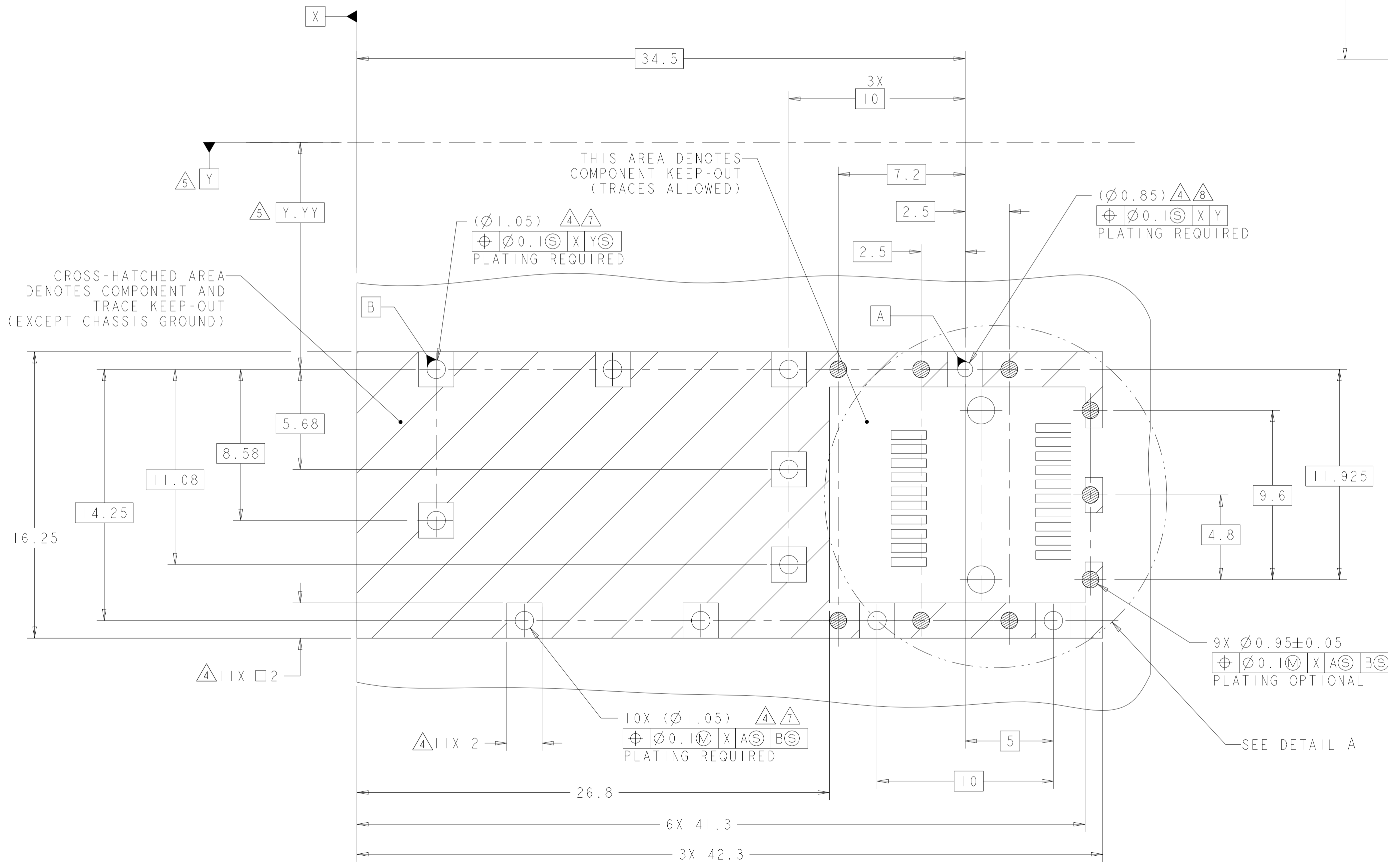
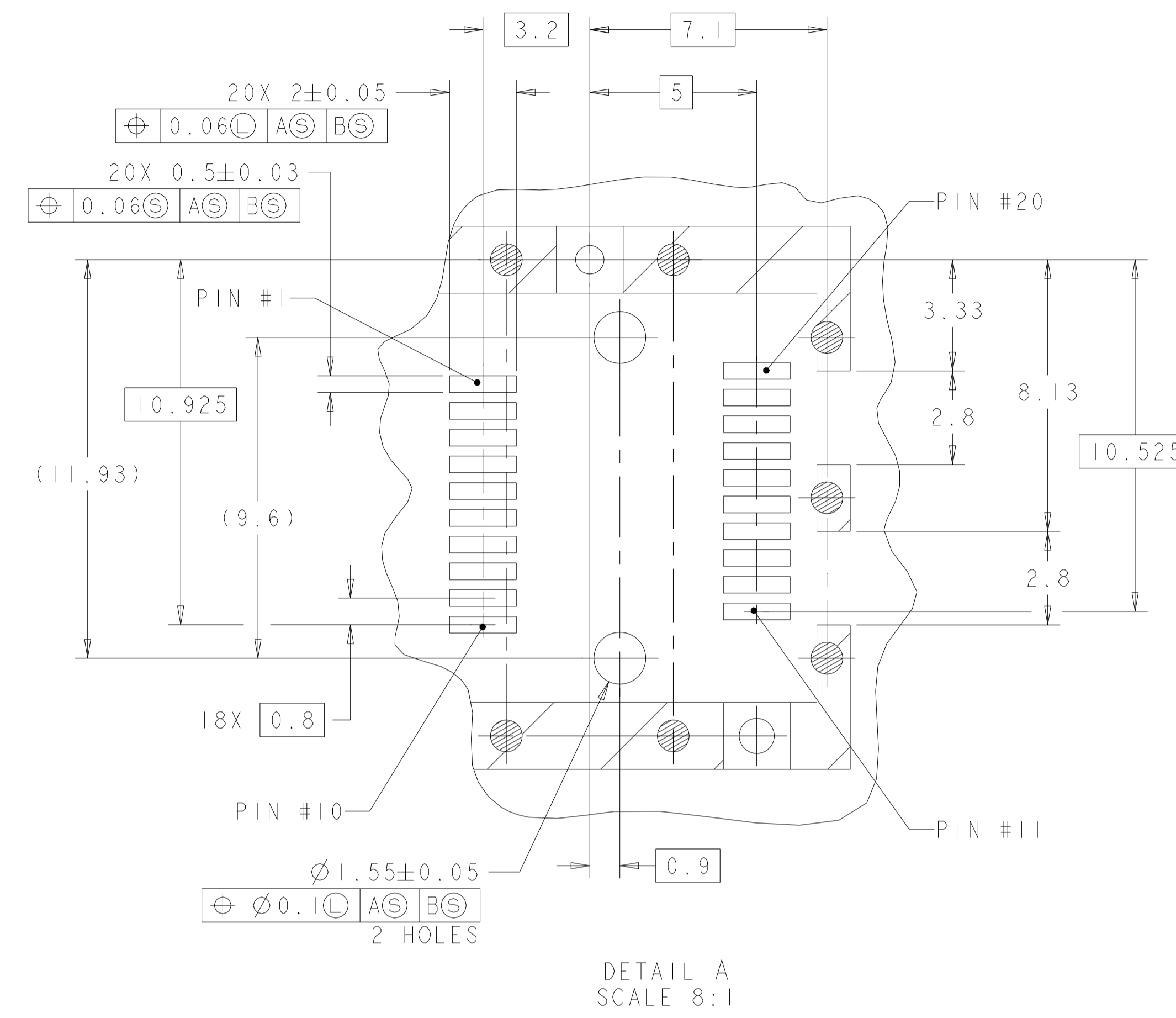
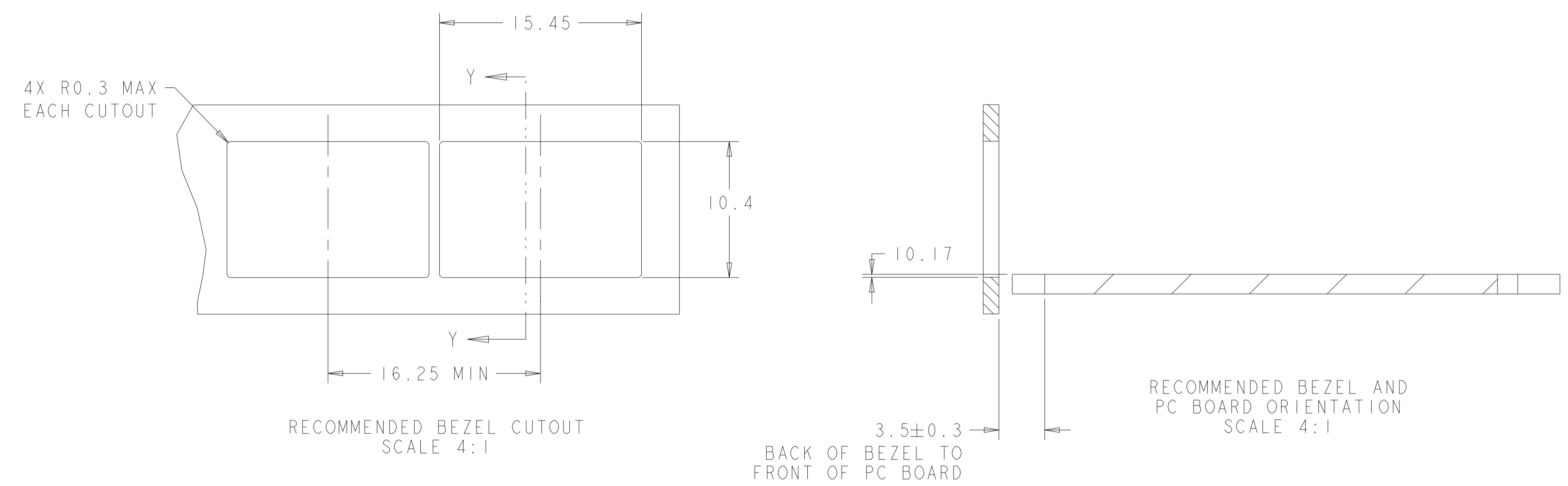
1-2007464-0 AS SHOWN



1-2007464-1 AS SHOWN

|  |              |  |             |                  |  |               |
|--|--------------|--|-------------|------------------|--|---------------|
| THIS DRAWING IS A CONTROLLED DOCUMENT. |              | DMN                                    | Z.M.REAM    | 20NOV2007        | TE Connectivity  |               |
| DIMENSIONS:                            |              | CHK                                    | M.R.SCHMITT | 20NOV2007        |  |               |
| mm                                     | 0 PLC ±0.1   | TOLERANCES UNLESS OTHERWISE SPECIFIED: |             | APVD             | R.H.WERTZ  | 20NOV2007     |
|  | 1 PLC ±0.1   |  |             | PRODUCT SPEC     | NAME   |               |
|  | 2 PLC ±0.1   |  |             | APPLICATION SPEC | SFP+ IXI CAGE ASSEMBLY, PRESS-FIT PRESS-FIT, EMI SPRINGS WITH HEATSINK |               |
|  | 3 PLC ±0.05  |  |             | 114-13120        | SIZE   | CAGE CODE     |
|  | 4 PLC ±0.05  |  |             | WEIGHT           | A100779  | DRAWING NO    |
|  | ANGLES ±0.05 |  |             | Customer Drawing | C=2007464  | RESTRICTED TO |
| MATERIAL                               | FINISH       |  |             | SCALE            | 2  | SHEET 2 OF 4  |
|  |              |  |             | REV              | G1   |               |

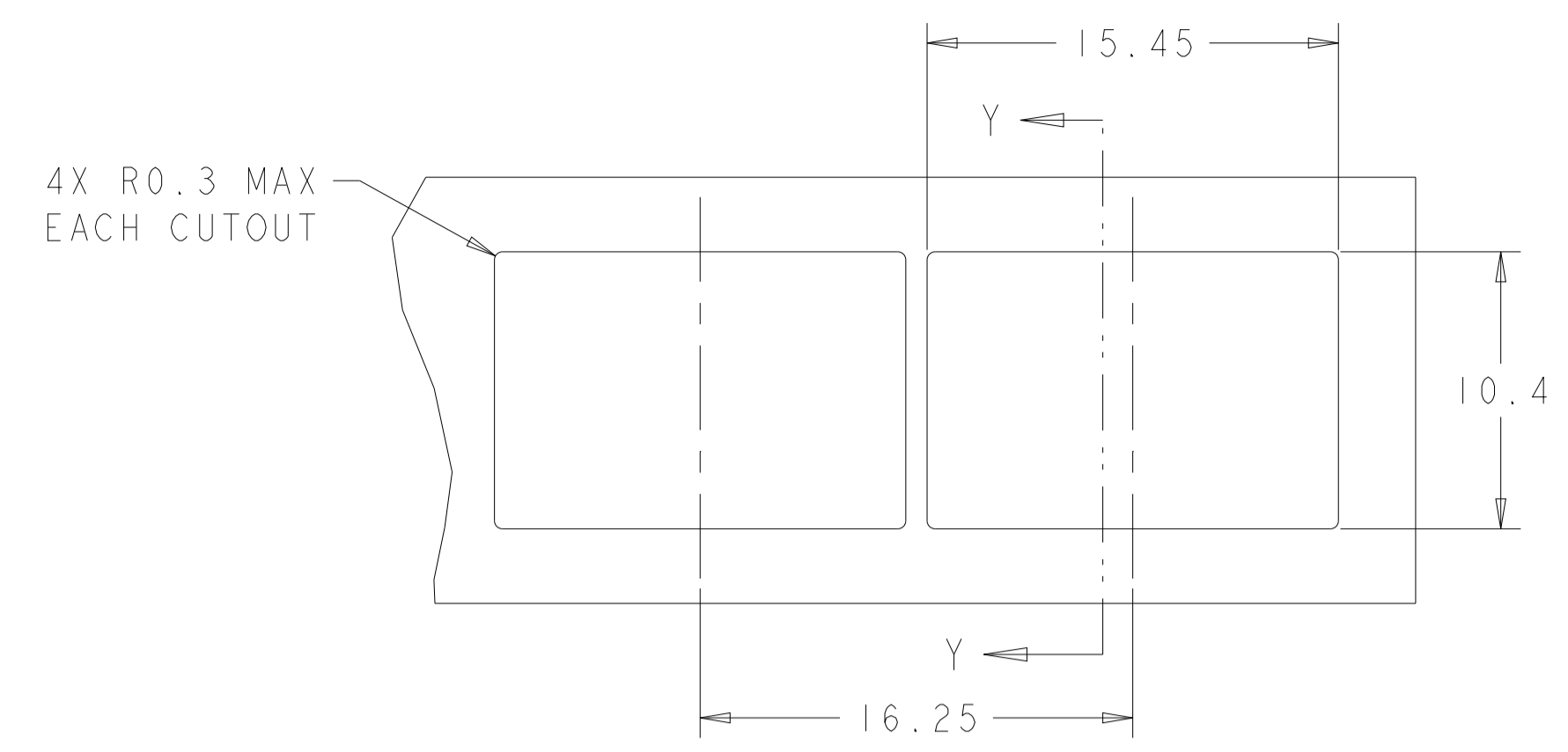
| LOC | DIST | REVISIONS |      |    |      |
|-----|------|-----------|------|----|------|
| GP  | 00   | REV       | DATE | BY | APPV |
|     |      | 1         |      |    |      |
|     |      | 2         |      |    |      |
|     |      | 3         |      |    |      |
|     |      | 4         |      |    |      |
|     |      | 5         |      |    |      |
|     |      | 6         |      |    |      |
|     |      | 7         |      |    |      |
|     |      | 8         |      |    |      |



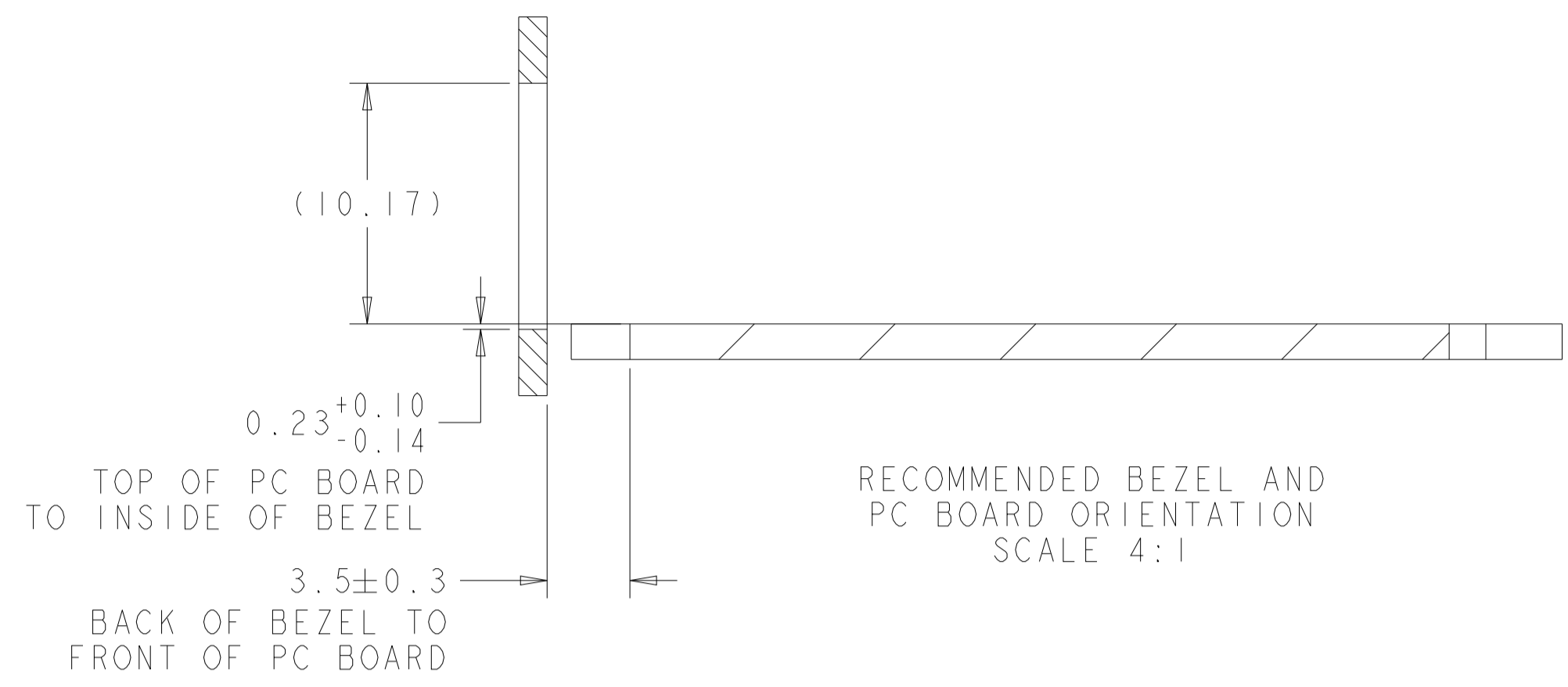
RECOMMENDED PCB LAYOUT SCALE 7:1

|  |  |                             |  |
|--|--|-----------------------------|--|
| THIS DRAWING IS A CONTROLLED DOCUMENT. |  | OWN: Z.M.BEAM 20NOV2007     | TE Connectivity  |
| DIMENSIONS: mm                         |  | CHK: M.B.SCHMITT 20NOV2007  |  |
| TOLERANCES UNLESS OTHERWISE SPECIFIED: |  | APVD: R.H.WERTZ 20NOV2007   | NAME: SFP+ IXI CAGE ASSEMBLY, PRESS-FIT PRESS-FIT, EMI SPRINGS WITH HEATSINK |
| 0 PLC ±0.1                             |  | PRODUCT SPEC: 108-2364      | SIZE: A1   |
| 1 PLC ±0.1                             |  | APPLICATION SPEC: 114-13120 | CAGE CODE: C=2007464   |
| 2 PLC ±0.1                             |  | WEIGHT: -                   | RESTRICTED TO: -   |
| 3 PLC ±0.05                            |  | Customer Drawing            | SCALE: 2   |
| 4 PLC ±0.05                            |  |                             | SHEET: 3 OF 4  |
| ANGLES ±0.05                           |  |                             | REV: G1  |

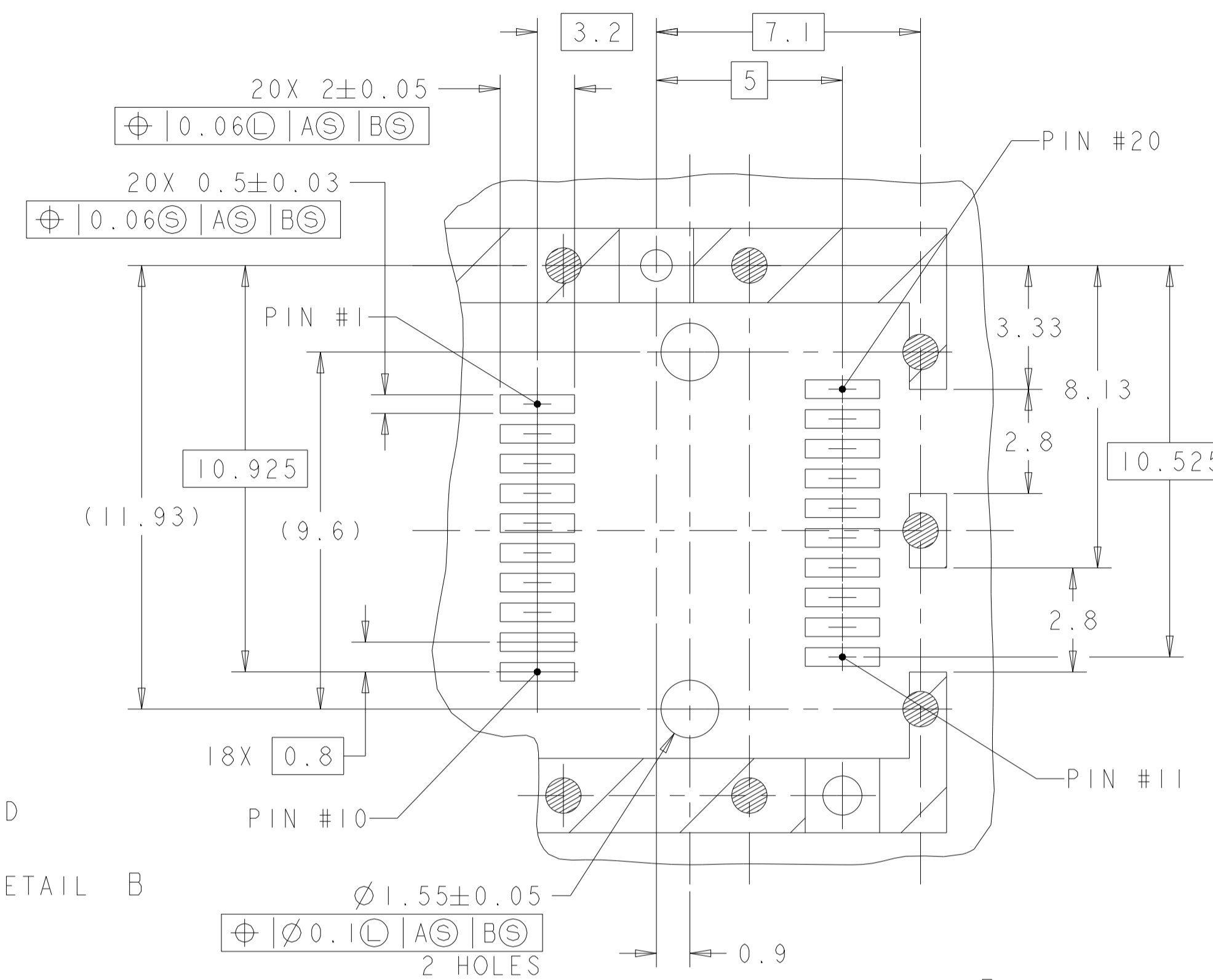
| LOC | DIST | REV | DATE | BY | APPV |
|-----|------|-----|------|----|------|
| GP  | 00   |     |      |    |      |



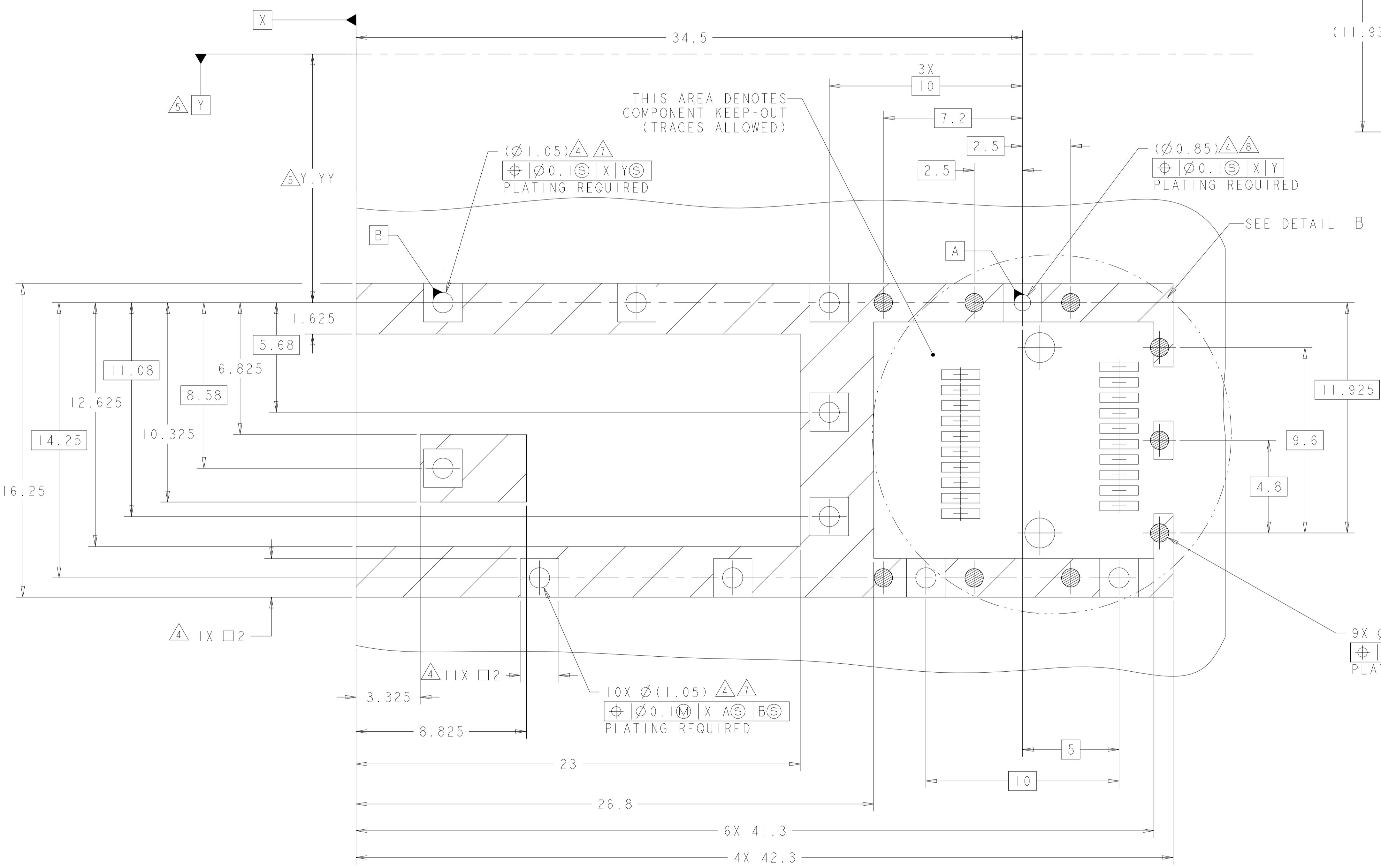
RECOMMENDED BEZEL CUTOUT  
SCALE 4:1



RECOMMENDED BEZEL AND  
PC BOARD ORIENTATION  
SCALE 4:1



DETAIL B  
SCALE 8:1



RECOMMENDED PCB LAYOUT FOR WITH  
INSULATING TAPE PART  
SCALE 8:1

9X  $\varnothing 0.95 \pm 0.05$   
 $\varnothing 0.1 \text{ M} | X | A | S | B | S$   
 PLATING OPTIONAL

|  |        |                                 |  |       |      |       |      |       |       |       |       |        |       |          |        |                          |                 |
|--|--------|---------------------------------|--|-------|------|-------|------|-------|-------|-------|-------|--------|-------|----------|--------|--------------------------|-----------------|
| THIS DRAWING IS A CONTROLLED DOCUMENT.   |        | OWN<br>Z.M.BEAM<br>20NOV2007    | TE Connectivity  |       |      |       |      |       |       |       |       |        |       |          |        |                          |                 |
| DIMENSIONS:<br>mm  |        | CHK<br>M.B.SCHMITT<br>20NOV2007 |  |       |      |       |      |       |       |       |       |        |       |          |        |                          |                 |
| TOLERANCES UNLESS OTHERWISE SPECIFIED:   |        | APVD<br>R.H.WERTZ<br>20NOV2007  | NAME<br>SFP+ IXI CAGE ASSEMBLY, PRESS-FIT<br>PRESS-FIT, EMI SPRINGS<br>WITH HEATSINK |       |      |       |      |       |       |       |       |        |       |          |        |                          |                 |
| <table border="1"> <tr> <td>0 PLC</td> <td>±0.1</td> </tr> <tr> <td>1 PLC</td> <td>±0.1</td> </tr> <tr> <td>2 PLC</td> <td>±0.1</td> </tr> <tr> <td>3 PLC</td> <td>±0.05</td> </tr> <tr> <td>4 PLC</td> <td>±0.05</td> </tr> <tr> <td>ANGLES</td> <td>±0.05</td> </tr> <tr> <td>MATERIAL</td> <td>FINISH</td> </tr> </table> |        | 0 PLC                           | ±0.1   | 1 PLC | ±0.1 | 2 PLC | ±0.1 | 3 PLC | ±0.05 | 4 PLC | ±0.05 | ANGLES | ±0.05 | MATERIAL | FINISH | PRODUCT SPEC<br>108-2364 | SIZE<br>A100779 |
| 0 PLC  | ±0.1   |                                 |  |       |      |       |      |       |       |       |       |        |       |          |        |                          |                 |
| 1 PLC  | ±0.1   |                                 |  |       |      |       |      |       |       |       |       |        |       |          |        |                          |                 |
| 2 PLC  | ±0.1   |                                 |  |       |      |       |      |       |       |       |       |        |       |          |        |                          |                 |
| 3 PLC  | ±0.05  |                                 |  |       |      |       |      |       |       |       |       |        |       |          |        |                          |                 |
| 4 PLC  | ±0.05  |                                 |  |       |      |       |      |       |       |       |       |        |       |          |        |                          |                 |
| ANGLES   | ±0.05  |                                 |  |       |      |       |      |       |       |       |       |        |       |          |        |                          |                 |
| MATERIAL   | FINISH |                                 |  |       |      |       |      |       |       |       |       |        |       |          |        |                          |                 |
|  |        | APPLICATION SPEC<br>114-13120   | DRAWING NO<br>C=2007464  |       |      |       |      |       |       |       |       |        |       |          |        |                          |                 |
|  |        | WEIGHT                          | RESTRICTED TO  |       |      |       |      |       |       |       |       |        |       |          |        |                          |                 |
|  |        | Customer Drawing                | SCALE 2 SHEET 4 OF 4 REV G1  |       |      |       |      |       |       |       |       |        |       |          |        |                          |                 |