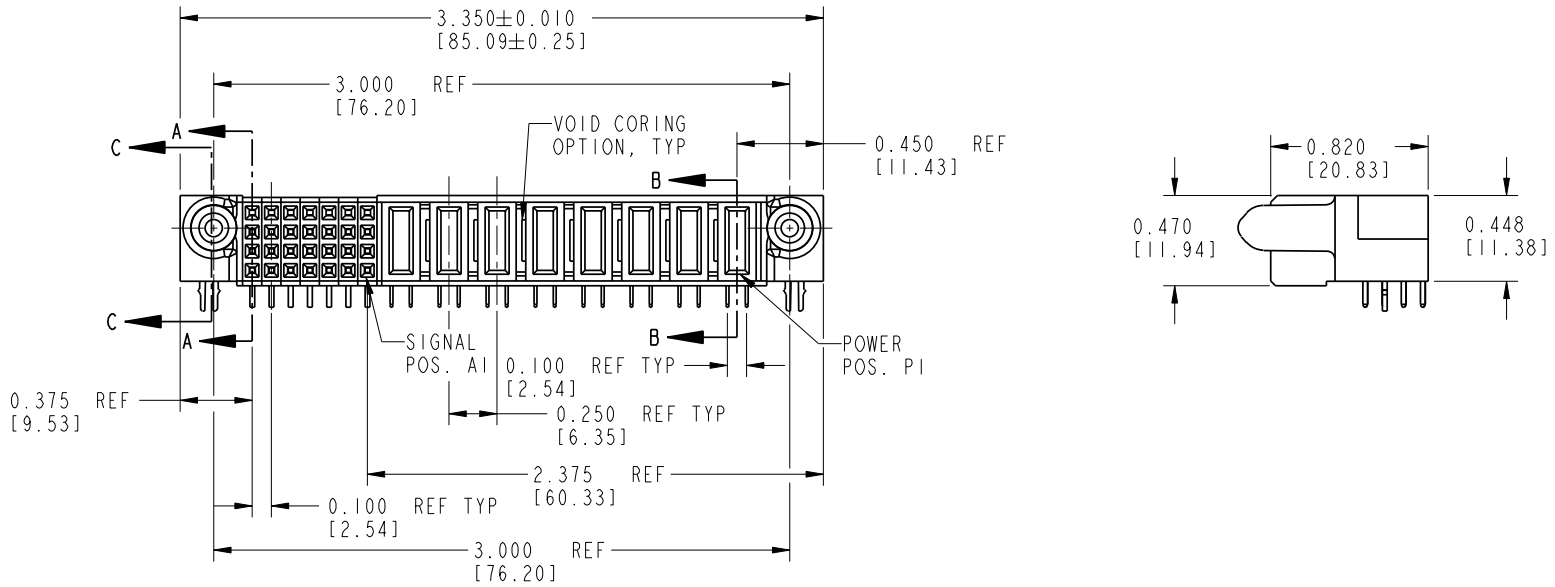


PRODUCT No.	ROWS	SIGNAL									POWER								E I									
		E2	7	6	5	4	3	2	1	P8	P7	P6	P5	P4	P3	P2	P1											
51772-001-- NOTE: 1	D C B A		H	H	H	H	H	H	H	H	H	H	H	H	H	H	H	PA	PC	PC	PA	PC	PA	PC	PA	PC	PA	
			E	E	E	E	E	E	E	E	E	E	E	E	E	E	E											



CODE	CONTACT TYPE	DIM "M" ±0.010 [0.25]
E	SIGNAL	N/A
F	SIGNAL	N/A
G	SIGNAL	N/A
H	SIGNAL	N/A
PA	POWER	.042 [1.07]
PC	POWER	.092 [2.34]
HA	HOLD DOWN	N/A

mat'l code				tolerances unless otherwise specified		CUSTOMER	
lir	ecn no.	dr	date	linear	.XX±.01/0.X±0.3	COPY	
A	V02739	JWS	11-17-00		.XXX±.005/0.XX±0.13	projection	
B	V21513	TAB	10-07-02	angles	.XXX±.0020/0.XXX±.051		
C	D605-0304	GuoJM	09/14/05		0°±2°	INCH/MM	
				dr	J. SHAFFER 11-17-00	scale	
				enrg	J. DODDS 11-15-00	1:1	
				chr	J. DODDS 11-17-00		
				appd	J. DODDS 11-17-00		
sheet index	revision sheet	C	C				
		1	2				

CONFIDENTIAL

		www.fciconnect.com	
title 8P + 28S R/A STB RECEPTACLE			
product family	PwrBlade	code	213
size	dwg no	sheet	1 of 2
A	51772-001		

Tous droits strictement réservés. Reproduction ou communication a des tiers interdite sous quelque forme que ce soit sans autorisation écrite du propriétaire. Propriété de c FCI. Droits de reproduction FCI.

All rights strictly reserved. Reproduction or issue to third parties in any form whatever is not permitted without written authority from the proprietor. Property of FCI. Copyright FCI.

FCI

PRODUCT NUMBER

51772-001

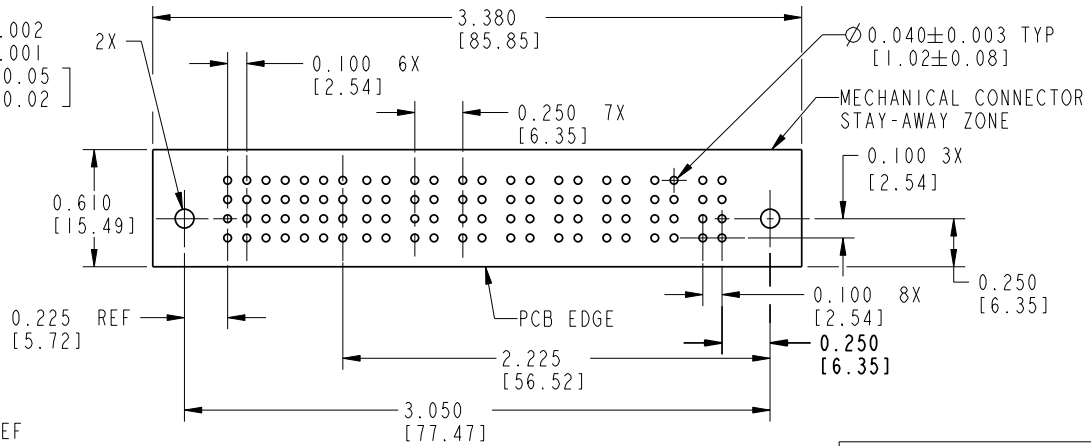
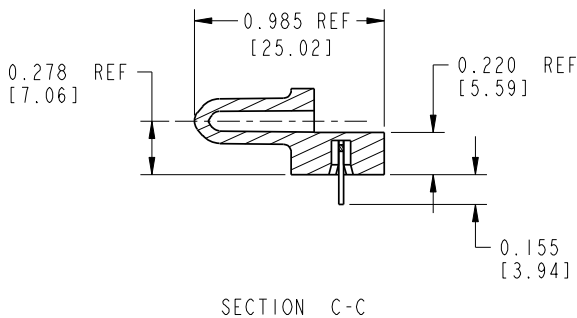
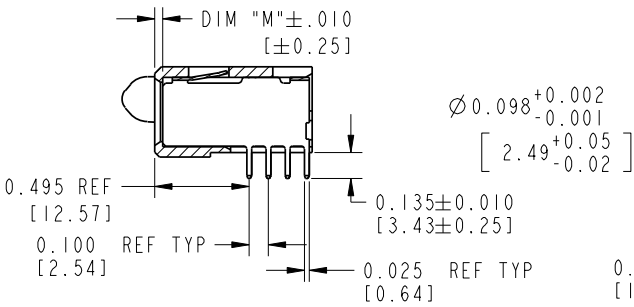
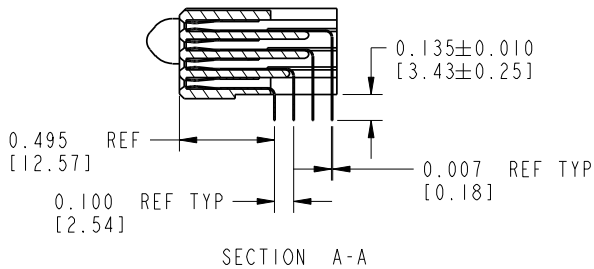
NOTE: 1

CONNECTOR NOTES:

- FOR ADDITIONAL INFORMATION, REFER TO DRAWING NUMBER 51772.

PCB NOTES:

- ALL DIMENSIONS ARE BASIC UNLESS OTHERWISE SPECIFIED.
- ALL THROUGH HOLES ARE LOCATED WITH A TRUE POSITION OF 0.004 [0.10]
- ALL HOLE DIAMETERS ARE FINISHED HOLE SIZE.
- $\varnothing 0.098$ [2.49] THROUGH HOLES ARE UNPLATED.
- $\varnothing 0.0453 \pm 0.0010$ [1.151 \pm 0.025] DRILLED HOLES PLATED WITH 0.0003 [0.008] MIN SnPb OVER 0.001 [0.03] TO 0.003 [0.08] Cu PLATING TO ACHIEVE A $\varnothing 0.040 \pm 0.003$ [1.02 \pm 0.08] HOLE.



CONFIDENTIAL

mat'l code				tolerances unless otherwise specified		CUSTOMER		FCI	
lir	ecn no.	dr	date	linear	.XX ± .01 / 0.X ± 0.3	COPY	projection	title	www.fciconnect.com
C				angles	.XX ± .005 / 0.XX ± 0.13	INCH/MM	title	8P + 28S	
				dr	.XXX ± .0020 / 0.XXX ± .051	scale	product family	R/A STB RECEPTACLE	
				enr	0° ± 2°	1:1	PwrBlade		
				chr			code		
				appd			size	213	
							dwg no	51772-001	sheet
sheet index	revision sheet							2 of 2	

Pro/E

PDM: Rev: C

STAT: **Released**

Printed: Dec 20, 2010